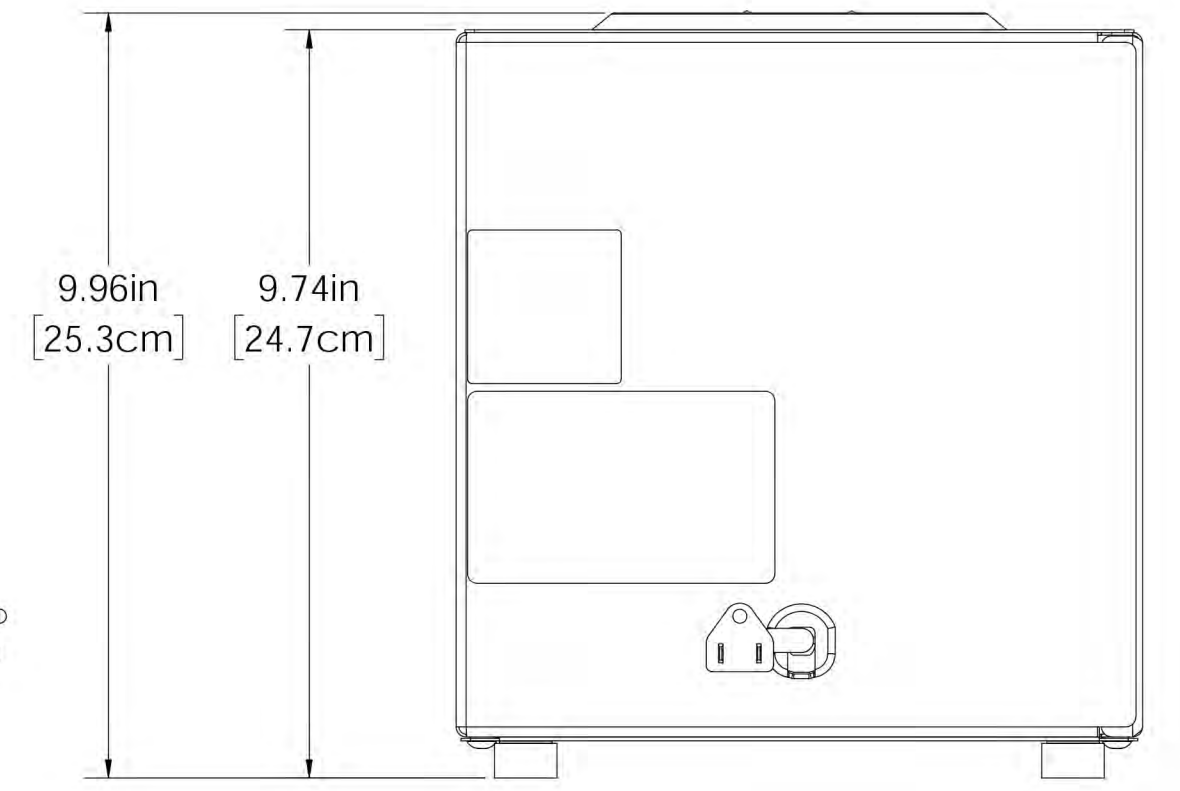
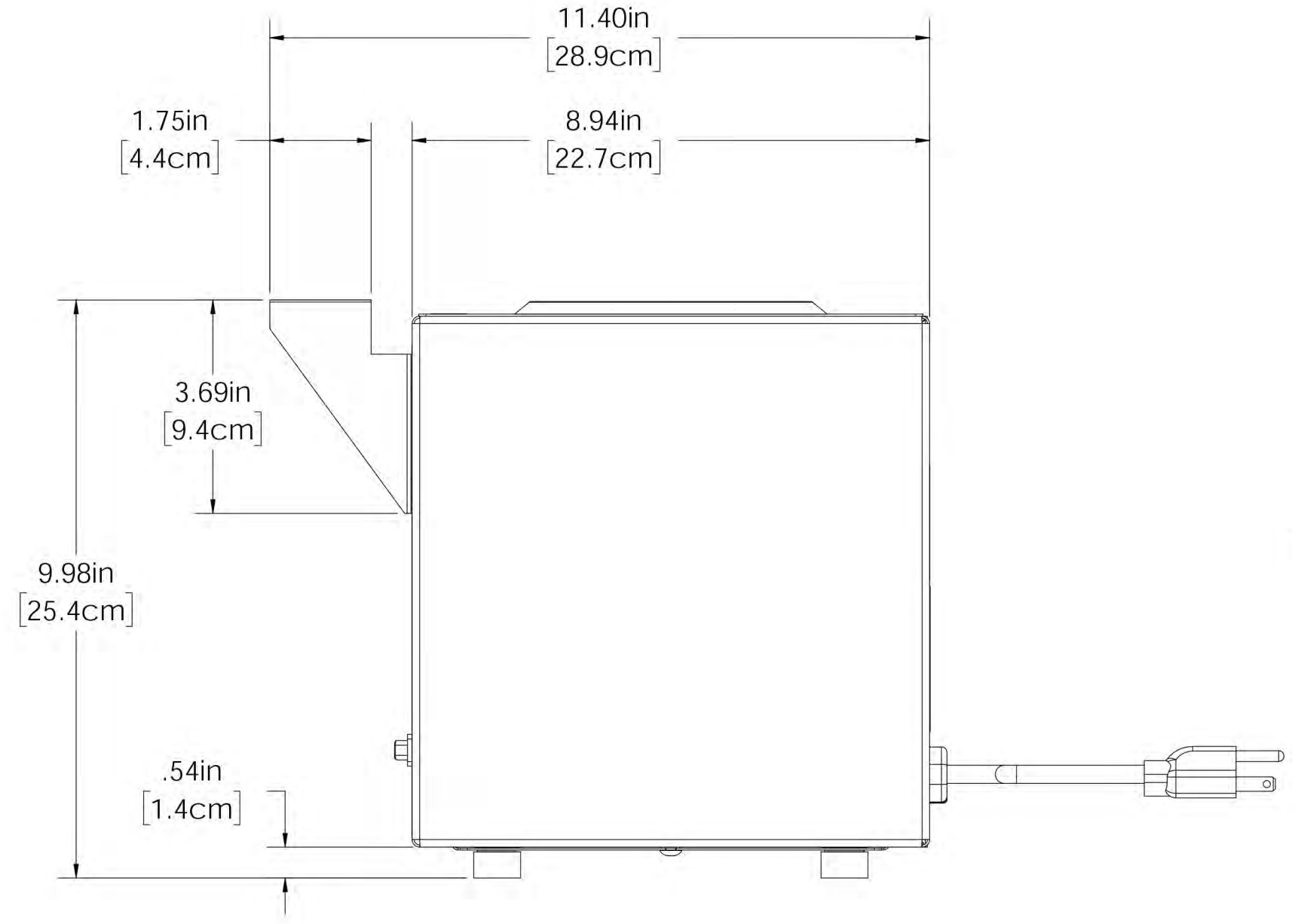
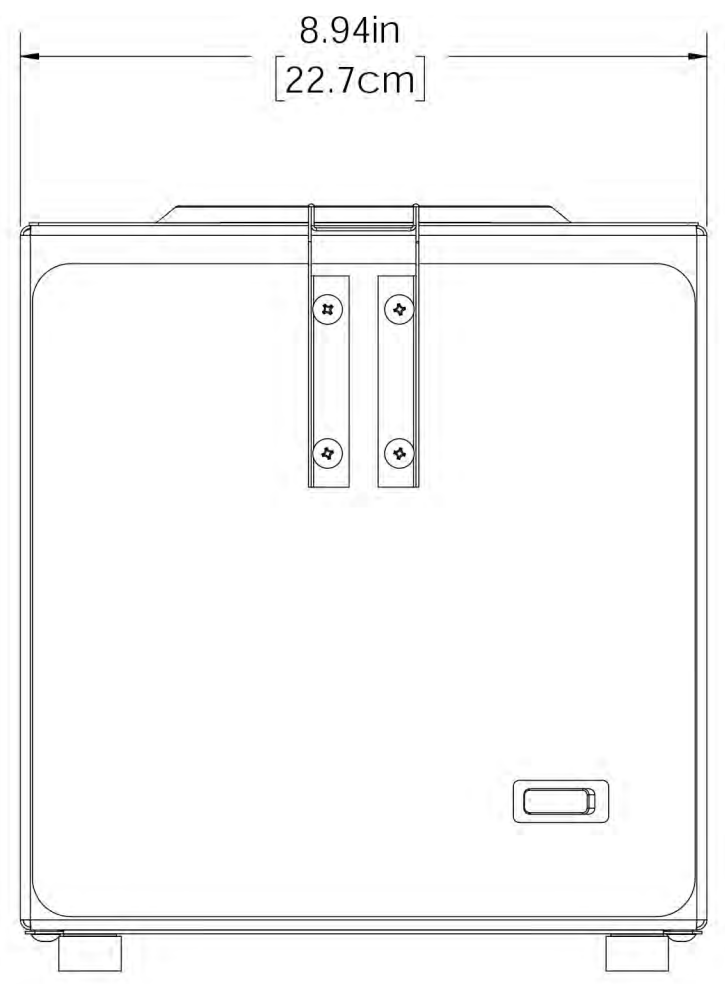


GEM-5 Specifications

	STD MEASUREMENTS	METRIC MEASUREMENTS
Electrical Supply Requirements		
Voltage:	120 Vac	120 Vac
Wattage:	100 Watts	100 Watts
Amperage:	1 Amps	1 Amps
Wire:	2W + G	2W + G
Hertz:	50 / 60	50 / 60
Phase:	Single Phase	Single Phase
Heater Configuration:	1X 100W	1X 100W
Minimum Circuit Requirement:	15 Amps	15 Amps
Outline Machine Dimensions		
Height (No GEM-3):	9.98 in	25.3 cm
Height (With GEM-3):	20.58 in	52.3 cm
Width:	8.94 in	22.7 cm
Depth (No GEM-3):	11.70 in	29.7 cm
Depth (With GEM-3):	13.35 in	33.9 cm
Shipping Weight:	8.0 lbs	3.6 kg
Shipping Cube:	1.36 ft ³	0.04 m ³



Curtis Wilbur Curtis Co., Inc. Phone: 323-837-2300
 6913 Acco Street Fax: 323-837-2402
 Monte Bello, CA 90640 www.wilburcurtis.com

TITLE: SATELLITE WARMER STAND
 100W 120V 1A 2W+G 1PH 50-60HZ

SIZE: C	DWG. NO.: GEM-5	REV.: NC
SCALE: 4:1	SHT 2 OF 5	