



G4 TPX 1.5 Gallon Coffee Brewing System



READ AND SAVE THESE INSTRUCTIONS

NOTICE TO INSTALLER: Please leave this booklet with the machine.

Key Features/Specifications/System Requirements..... FS99

Important Safeguards IS2

Important Safeguards (EC Directives)..... IS15

Installation Instructions (General).....II2

Installation Instructions (Leveling, Water Supply, Electrical).....II9

Operating InstructionsOI11

Cleaning Instructions (Brewer) CI1

Cleaning Instructions (Thermal Dispensers) CI5

Cleaning Instructions (Airpot/Pour Pot) CI9

Programming Guide PG1

Rough-In Drawing..... RD99

Illustrated Parts/Recommended Parts (Main Chassis)..... IP177

Illustrated Parts/Recommended Parts (Tank Assembly, G4TPX2S34Sx) IP183

Illustrated Parts/Recommended Parts (Tank Assembly, G4TPX2S63Sx) IP44

Illustrated Parts/Recommended Parts (Tank Assembly, Twin) IP45

Electrical Schematic (G4TPX2S34x).....ES156

Electrical Schematic (G4TPX2S63x).....ES41

Electrical Schematic (G4TPX2T10x).....ES42

Electrical Schematic (G4TPX2T30x).....ES52

Electrical Schematic (G4TPX2T38x).....ES155

Electrical Schematic (G4TPX2T39x).....ES162

Troubleshooting Guide (General).....TG3

Troubleshooting Guide (SSR Circuit)TG7

Troubleshooting Guide (Diagnostics)TG11

Error CodesEC1

Product Warranty.....PW1

Contact Information

Wilbur Curtis Co., Inc.

6913 Acco Street | Montebello, CA 90640 US
 Phone: 323-837-2300 | Toll Free: 800-421-6150
 Email: csrcassistance@wilburcurtis.com | Web: www.wilburcurtis.com

For the latest specifications and information go to www.wilburcurtis.com
 Toll Free: 800-995-0417 | Monday - Friday 5:30 A.M. - 4:00 P.M. PT
 Email: techsupport@wilburcurtis.com

Due to continued product improvement, the products illustrated/photographed in this guide may vary slightly from the actual product.

Key Features

- Generation Four (G4) Digital Control Module – provides precise control over all aspects of brewing: time, temperature, volume plus specialty coffee needs from pre-infusion to pulse-brewing to water bypass. Large, 4.3" touch screen with icon-driven interface, streamlines operation. On-screen instructions provide fast, intuitive training; reduces service calls.
- Built-in Self Diagnostic System – Includes real-time feedback of the brewing process and energy saving mode.
- Stainless steel ThermoPro® vacuum-sealed servers keep coffee fresh, hot and flavorful.
- Pre-Set Global Recipes at the Touch of a Single Button – No complex equipment required.
- Centrally located hot water spout for instant hot beverages and other hot water needs.
- Industry's most effective mineral tolerant design.

Specifications (Selected Models)

Electrical Supply Requirements

MODEL #	DESCRIPTION	PHASE	VOLTS	AMPS	HEATING CONFIG	WIRE	WATTS	HERTZ	CAPACITY
G4TPX2S31Ax	Single brewer	1 PH	220-240V	11.6-12.7 A	1 x 2500 W	2W + G (1/N/PE)	2550-3050 W	50/60 Hz	10.0 gal./hr. [37.9 L/hr.]
G4TPX2S34Ax	Single brewer	1 PH	220-240V	13.2-14.4 A	2 x 1700 W	2W + G (1/N/PE)	2900-3450 W	50/60 Hz	10.0 gal./hr. [37.9 L/hr.]
G4TPX2S63Ax	Single brewer, dual voltage	1 PH	120/220 V	15.0/12.7 A	2 x 1600 W	2W/3W + G	1800/2800 W	50/60 Hz	4.5/12.0 gal./hr. [17.0/45.4 L/hr.]
G4TPX2T10Ax	Twin brewer	1 PH	220 V	23.0/34.5 A	3 x 2500 W	3W + G	5100/7600 W	50/60 Hz	15.0/21.0 gal./hr. [56.8/79.5 L/hr.]
G4TPX2T30Ax	Twin brewer	1 PH	230 V	24.2 A	2 x 2500 W	2W + G	5574 W	50/60 Hz	21.0 gal./hr. [79.5 L/hr.]
G4TPX2T38Ax	Twin Brewer	3 PH	380-415V	11.5-12.6 A	3 x 2500 W	4W + G (3P/N/PE)	7566-9025 W	50/60 Hz	21.0 gal./hr. [79.5 L/hr.]
G4TPX2T39Ax	Twin Brewer	3 PH	380-415V	11.5-12.6 A	3 x 2500 W	3W + G (3P/PE)	7566-9025 W	50/60 Hz	21.0 gal./hr. [79.5 L/hr.]

Dimensions

Water Supply Requirements

MODEL #	HEIGHT	WIDTH	DEPTH	SHIP WEIGHT	SHIP CUBE	WATER CONNECTOR	WATER PRESSURE	MIN. FLOW RATE
G4TPX2S31Ax G4TPX2S34Ax G4TPX2S63Ax	36.48" [92.7 cm]	11.00" [27.9 cm]	19.72" [50.1 cm]	53.0 lb. [24.0 kg]	9.70 cu. ft. [0.27 m ³]	3/8" flare	20 - 90 psi [138 - 620 kPa]	1.0 gpm [3.8 Lpm]
G4TPX2T10Ax G4TPX2T30Ax G4TPX2T38Ax G4TPX2T39Ax	36.48" [92.7 cm]	20.00" [50.8 cm]	20.62" [52.4 cm]	75.0 lb. [34.0 kg]	14.08 cu. ft. [0.40 m ³]	3/8" flare	20 - 90 psi [138 - 620 kPa]	2.0 gpm [7.6 Lpm]

Following are the factory default settings for the ThermoPro brewer:

- Brew Temperature = 200°F (92°F)
- Brew Volume = Large-Medium-Small
- Water Bypass = On LARGE and MEDIUM brew only
- Energy Save Mode = Off

Symbols



This is the safety alert symbol. It is used to alert you to potential physical injury hazards. Obey all safety messages that follow this symbol to avoid possible injury or death.



DANGER - Indicates a hazardous situation which, if not avoided, will result in death or serious injury.



WARNING - Indicates a hazardous situation which, if not avoided, could result in death or serious injury.



CAUTION - Indicates a hazardous situation which, if not avoided, could result in minor or moderate injury.



NOTICE - Indicates a situation which, if not avoided, could result in property damage.



IMPORTANT - Provides information and tips for proper operation.



SANITATION REQUIREMENTS



WARNING - This product can expose you to chemicals including Acrylamide and Bisphenol A (BPA), which are known to the State of California to cause cancer and birth defects or other reproductive harm. For more information visit www.P65Warnings.ca.gov.

Important Safeguards/Conventions



WARNING:

- Make sure that this appliance is installed and grounded according to the INSTALLATION INSTRUCTIONS by qualified personnel before attempting to use it. Failure to follow the INSTALLATION INSTRUCTIONS could result in personal injury or void the warranty.
- This appliance is designed for commercial use. Any service other than cleaning and preventive maintenance should be performed by an authorized Wilbur Curtis service technician.
- To reduce the risk of fire or electric shock, DO NOT open the service panels. There are no user serviceable parts inside.
- Keep hands, arms and other items away from hot surfaces of the unit during operation.
- Clean the appliance and any dispensers completely before using them for the first time according to the CLEANING INSTRUCTIONS. Clean them regularly as instructed in the CLEANING INSTRUCTIONS.
- Use this appliance only for its intended use, brewing/dispensing hot and/or cold beverages/water.
- This appliance is not intended for use by persons (including children) with reduced physical, sensory or mental capabilities or lack of experience and knowledge, unless they have been given supervision or instruction concerning use of the appliance by a person responsible for their safety. Children should be supervised to ensure that they do not play with the appliance.
- Avoid spillage onto the power (mains) connector.

CE Requirements

- This appliance must be installed in locations where it can be overseen by trained personnel.
- For proper operation, this appliance must be installed where the temperature is between 5°C to 35°C.
- This appliance is not suitable for outdoor use.
- This appliance shall not be tilted more than 10° for safe operation.
- An electrician must provide electrical service as specified in conformance with all local and national codes. For safe use, an all-pole disconnection must be incorporated into the fixed wiring in accordance with the wiring rules outlined in clause 7.12.2 of IEC 60335 for meeting the minimum electrical safety of this standard.
- This appliance must not be cleaned by water jet.
- This appliance can be used by persons aged from 18 years and above if they have been given supervision or instruction concerning use of the appliance in a safe way and if they understand the hazards involved.
- Keep the appliance and its cord out of reach of children aged less than 18 years.
- Appliances can be used by persons 18 years and above with reduced physical, sensory or mental capabilities or lack of experience and knowledge if they have been given supervision or instruction concerning use of the appliance in a safe way and understand the hazards involved.
- Children under the age of 18 years should be supervised to ensure they do not play with the appliance.
- If the power cord is ever damaged, it must be replaced by the manufacturer or authorized service personnel with a special cord available from the manufacturer or its authorized service personnel in order to avoid a hazard.
- Machine must not be immersed for cleaning.
- Cleaning and user maintenance shall not be made by children unless they are older than 18 years and supervised.
- This appliance is intended to be used in household and similar applications such as:
 - staff kitchen areas in shops, offices and other working environments;
 - by clients in hotels, motels and other residential type environments;
 - bed and breakfast type environments.
- This appliance not intended to be used in applications such as:
 - farm houses
- Access to the service areas permitted by Authorized Service personnel only.
- The A-Weighted sound pressure level is below 70 dBA.

European Regulations and Directives

- This appliance meets the requirements of all applicable regulations in Regulation 1907/2006/EU (REACH), Directive 2011/65/EU (ROHS) and its amendment (EU) 2015/863, Directive 2012/19/EU (WEEE), Directive 2014/30/EU (EMC), Directive 2006/42/EC (Machinery) and Directive 2014/35/EU (LVD).
- The declaration of conformity is included with this appliance. The appliance bears the CE mark.
- This appliance is subject to the directive on waste electrical and electronic equipment (WEEE/ EU directive). Do not dispose of this appliance in domestic waste. Contact your local governing authorities for information on disposal requirements.
- Any modifications to equipment that are not approved by the Wilbur Curtis Company will render this declaration invalid.





WARNING: Installation is to be performed only by a qualified installer.



WARNING: Improper electrical connection may result in an electric shock hazard or damage the unit. This appliance must be properly grounded.



NOTICE: DO NOT connect this appliance to a hot water supply. The water inlet valve is not rated for hot water. Do not exceed the maximum water pressure stated in the **SPECIFICATIONS** section.



IMPORTANT: Observe all governing codes and ordinances.

Installation Instructions

Installation Requirements

- A secure surface capable of supporting the weight of the appliance.
- For units without an attached cord set attached or dual voltage units set up for use with 220 - 240 Volts: Appropriately sized, UL listed, grounding type power cable to meet the electrical specifications for the appliance. If you have questions about the correct cable size and length, consult a qualified installer. If the appliance will be hard wired to a junction box, the power cable must be long enough so that the unit can be moved for cleaning underneath.
- A grounded electrical connection to an electrical circuit that meets the electrical specifications of the appliance (see **SPECIFICATIONS**). The circuit must be protected by the appropriate sized circuit breaker. If you are not certain that the existing circuit meets the requirements for your unit, consult a licensed electrician.
- A water filtration system is required to maintain trouble-free operation. Wilbur Curtis Co., Inc. recommends a Wilbur Curtis approved water filter. See the Curtis Equipment Catalog for a full line of Wilbur Curtis approved water filters.
- Potable water supply line connection from the water filter capable of supplying the minimum flow rate required by the specifications. The water supply line must be able to connect to the flare fitting on the back of the unit. See the **SPECIFICATIONS** section for the correct size. The water line should also be capable of being controlled by a shut off valve. Do not connect the water line to a saddle valve or needle valve.

IEC requires the following water connection:

- 1 A quick disconnect or additional coiled tubing (at least two times the depth of the appliance) is required so that it can be moved for cleaning underneath.
- 2 This equipment is to be installed with adequate back-flow protection to comply with applicable federal, state and local codes.
- 3 Water pipe connections and fixtures directly connected to a potable water supply shall be sized, installed and maintained in accordance with federal, state and local codes.

The International Plumbing Code of the International Code Council and the Food and Drug Administration (FDA) Food Code manual, direct that this equipment must be installed with adequate back-flow prevention in compliance with federal, state and local codes. For units installed outside of the U.S.A., make sure that the installation is in compliance with the applicable plumbing/sanitation code for your area.

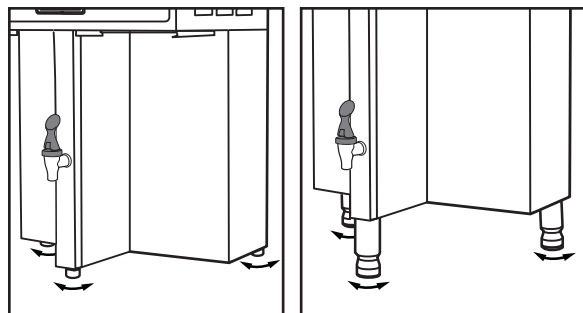
Installation

Leveling



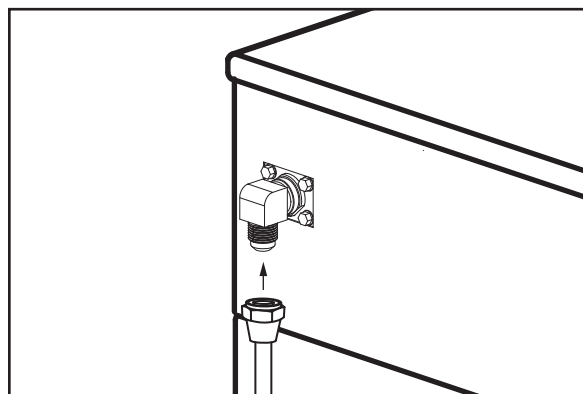
WARNING: Use the leveling legs to level the brewer only. Do not use them to adjust brewer height. Do not extend them higher than necessary.

- 1 Position the brewer on the counter top. Level it left to right and front to back by turning the bottom of the legs.



Connect the Water Supply

- 2 Flush the water supply line prior to installation to purge air and debris from the water filter and tubing.
- 3 Connect the water supply line to the flare fitting on the back of the brewer. Leave the water supply valve closed until the power is connected.

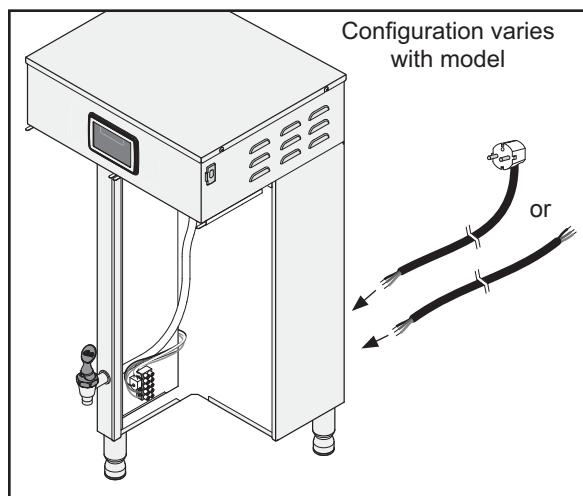
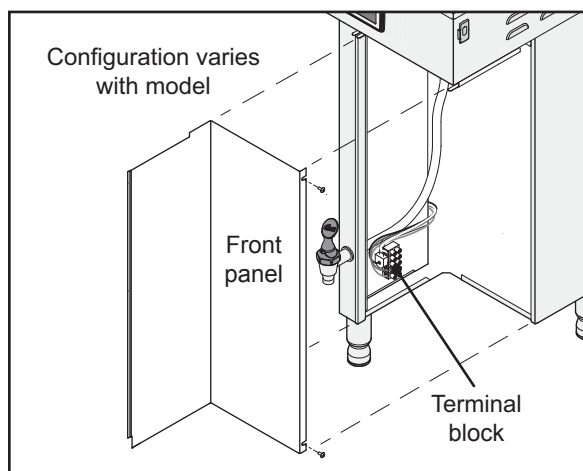


Setting Up 120/220 Volt Units for 220-240 Volt Operation



WARNING: Do not connect the power cord to the power supply until instructed to do so.

- 4 Remove the front panel.
- 5 Loosen the strain relief on the back of the brewer.
- 6 Disconnect the existing power cable from the terminal block and remove.
- 7 Feed the 220-240 Volt power cable through the strain relief, into the brewer. The brewer may be wired for connection directly to a junction box or for use with a power plug that connects to an electrical outlet meeting the brewer **SPECIFICATIONS**.
- 8 Disconnect and cap the jumper wire between the “C” and “N” terminals on the terminal block.
- 9 Connect the wires on the power cable to the terminal block inside the brewer according to the **ELECTRICAL SCHEMATIC**.
- 10 Tighten the strain relief and replace the front panel.



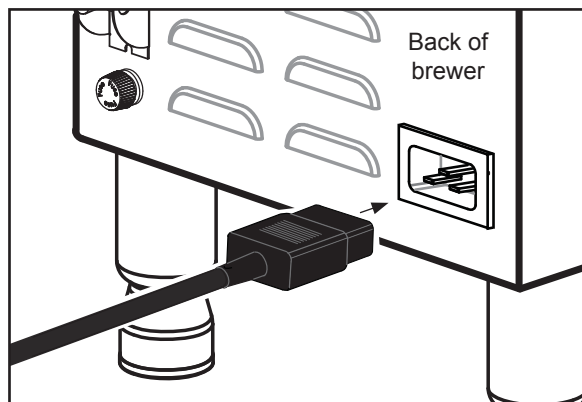
Connecting the Brewer Wiring (Units That Come from the Factory Without a Power Cord Attached)



WARNING: Do not connect the power cord to the power supply until instructed to do so.

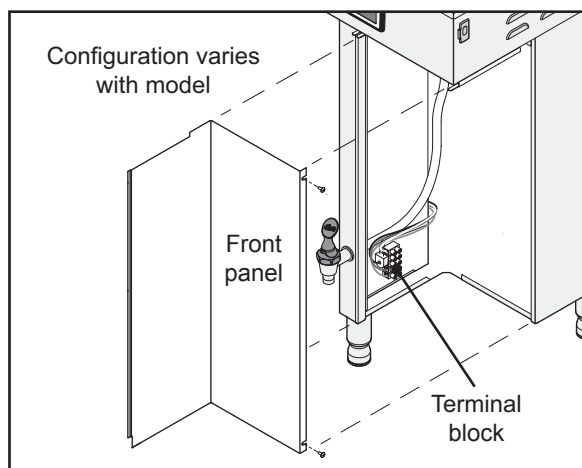
Brewers With Power Connector Mounted to the Back

- 11 Connect a C20 IEC power cord (not supplied) compatible with the electrical outlet installed in the facility and that meets specifications.

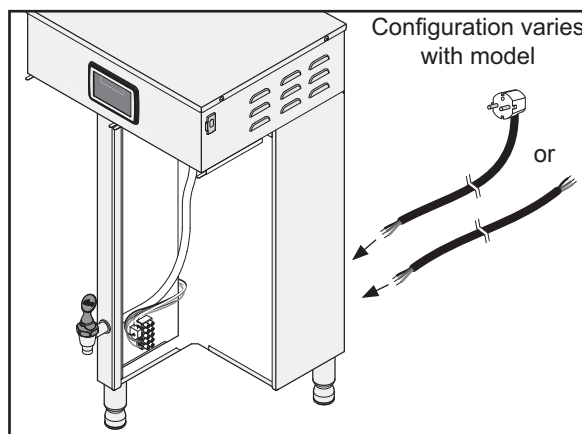


Brewers With Strain Relief Mounted to the Back

- 12 Remove the front panel by removing the screws that hold it in place.
- 13 Loosen the strain relief on the back of the brewer.



- 14 Feed the power cable into the brewer. The brewer may be wired for connection directly to a junction box or for use with a power plug that connects to an electrical outlet meeting the brewer **SPECIFICATIONS**.
- 15 Connect the wires on the power cable to the terminal block inside the brewer as specified. See the **ELECTRICAL SCHEMATIC**.
- 16 Tighten the strain relief and replace the front panel.



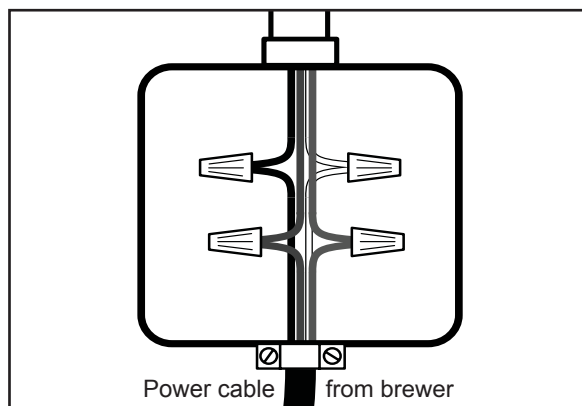
Electrical Connection

Connection to a Junction Box



WARNING: Turn off power to the junction box at the circuit breaker panel and lock out and tag the circuit breaker before connecting the power cable to the junction box.

- 17 Connect the power cable wires to the terminals in the junction box and replace the cover. See the **ELECTRICAL SCHEMATIC** for the power supply requirements.



Connection to an Electrical Outlet

- 18 If not already installed, install the appropriate type of power plug for your locality. Consult local electrical codes to determine the approved type of power plug for your region.
- 19 Connect the power plug to the appropriate electrical outlet.



WARNING: Connect the power cord only to the appropriate type and size electrical outlet. If it is not compatible, either have the cord replaced or have the electrical outlet upgraded by a licensed electrician. Do not use an extension cord. Do not use a power cord/plug that is damaged.

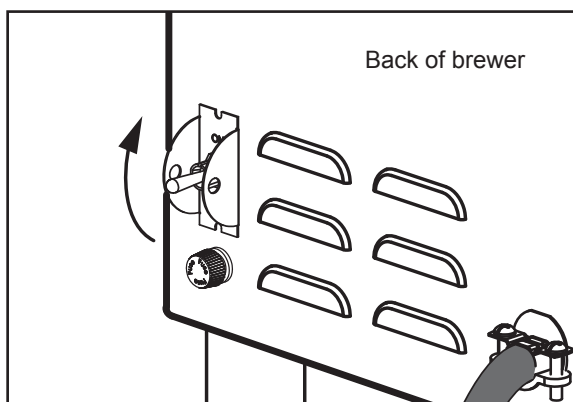
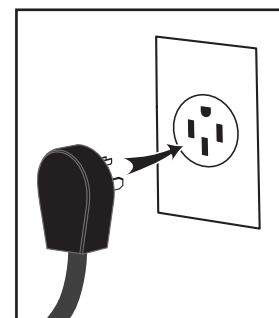
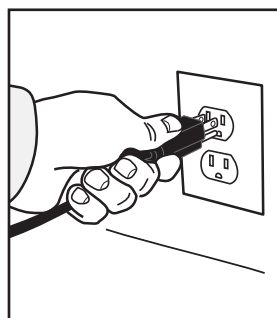
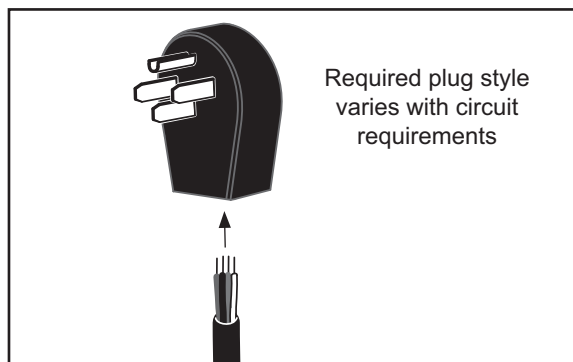
Powering up the Unit

- 20 Turn on the water supply valve.
- 21 Make sure that the circuit breaker supplying power to the unit is on.
- 22 Turn the toggle switch on the back of the brewer to the ON position. The water tank will start to fill. While the tank is filling, inspect the water supply line for leaks. Go to the **PROGRAMMING GUIDE** section and program the brewer for the correct model and batch number.
- 23 When the water level in the tank rises to the correct volume, the heating elements will turn on automatically. Depending on the incoming water temperature and the electrical specifications, the water tank typically requires 20 to 30 minutes to reach the factory set operating temperature. When the water has heated, "Ready to Brew" should be on the display.



IMPORTANT: When operating the unit at higher elevations, reduce the default operating temperature (200°F/92°C) by 2°F/1°C for each 1000 feet (300 m) of elevation above 4000 feet (1200 m). See **PROGRAMMING GUIDE**.

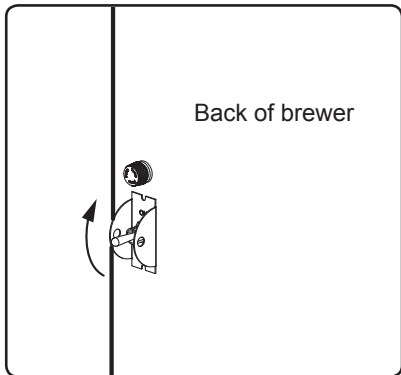
- 24 Before brewing for the first time, dispense 12 oz./350 ml of hot water through the hot water faucet to help purge air from the tubing inside the brewer.
- 25 Brew a cycle of at least 12 oz./350 ml, to purge any remaining air from the tubing. See **OPERATING INSTRUCTIONS**. During the initial brew cycle and whenever the filter is replaced, you may hear the sounds of air being purged from the filter, tubing and water tank.



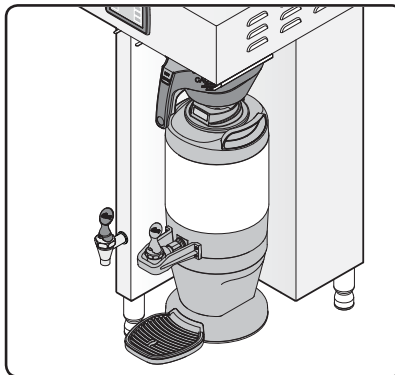
Brewing Instructions

WARNING - TO AVOID SCALDING, AVOID SPLASHING. Keep body parts clear of the brewer during brewing. Do not remove the brew basket while “Brewing” appears on the display.

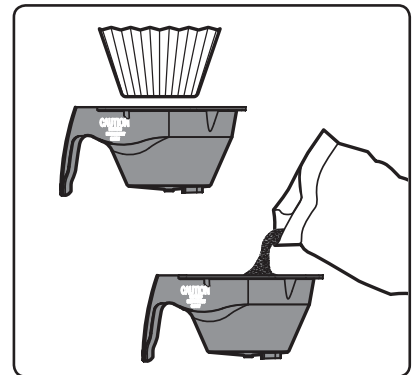
The G4 ThermoPro Brewer is factory preset for optimal performance.



1 The brewer should be ON. Confirm this at the rear toggle switch. “Ready to brew” should be on the display. If the brewer is connected to an inter-lock grinder, the grinder should be on. When inter-lock connection is made, grind coffee at this time.



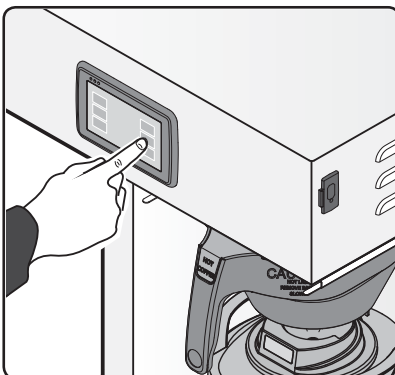
2 Center an empty dispenser under the brew basket.



3 Insert a clean paper filter into the brew basket. Fill with the proper amount of ground coffee. Level the coffee in the filter.



4 Slide the filled brew basket into the brew rails under the control panel. Slide it all the way back until it stops.



5 Hold your finger on the appropriate brew icon. As soon as you hear the click of the brew valve, lift your finger. Brewing will begin.

ENTER BREW CODE		
1	2	3
4	5	6
7	8	9
Del	0	OK

6 If a keypad appears on the display, the brew code feature is enabled (default is off). **Brewing will start immediately after you enter the brew code.** See the *PROGRAMMING GUIDE* to set up/disable the brew code.

The brewer will brew coffee based on the settings programmed into the universal control module (UCM). To change the settings, see the *PROGRAMMING GUIDE* section.



WARNING: HOT SURFACES - To avoid injury, allow the brewer and dispenser(s) to cool before cleaning.



NOTICE - Do not use cleaning liquids, compounds or powders containing chlorine (bleach) or corrosives. These products promote corrosion and will damage the finishes. **USE OF THESE PRODUCTS WILL VOID THE WARRANTY.**

Cleaning The Brewer - Daily



WARNING: DO NOT immerse the brewer in water or any other liquid.

The brewer should be OFF. Turn the brewer off by flipping the rear toggle switch to the OFF position.

- 1 Remove the dispenser(s). Wipe exterior brewer surfaces with a damp cloth to remove spills and debris.
- 2 Remove the brew basket(s) and clean them in a mild detergent solution. Use a soft bristled brush for hard to clean areas. Rinse with clean water, then dry.
- 3 Wipe the spray head area with a cloth soaked in a mild detergent solution. Rinse with a cloth soaked with clean water removing any residual detergent. Use a clean, soft cloth to dry.
- 4 Dump out the drip tray(s) (if applicable). Rinse with clean water, then dry with a soft, clean cloth.

Cleaning The Brewer - Weekly

The brewer should be OFF. Turn the brewer off by flipping the rear toggle switch to the OFF position.

- 1 Remove the spray head(s), unscrewing counterclockwise from the dome plate.
- 2 Thoroughly clean and rinse the dome plate area.
- 3 Clean the brew basket rails with a brush soaked with a mild detergent solution. Rinse the area with a cloth soaked with clean water, removing any residual detergent.
- 4 Dry the area with a soft, clean cloth.
- 5 Reattach the spray head(s).

Cleaning the Thermal Dispenser (Daily)

The following cleaners are required to properly maintain the thermal dispenser:

- Mild solution of dish-washing detergent and warm water
- TABZ™ Coffee Equipment Cleaner Tablets*
- One-Pro Beverage Equipment Cleaner



WARNING: DO NOT immerse the dispenser or lid in water or any other liquid. Do not place the dispenser or lid in a dishwasher. Doing so will void the warranty. Do not use harsh powders or cleansers containing chlorine. Do not use a wire brush or scouring pad to clean inside the liner. **To avoid damage, DO NOT use a brush to clean the faucet or the inside of the faucet shank (outlet).**

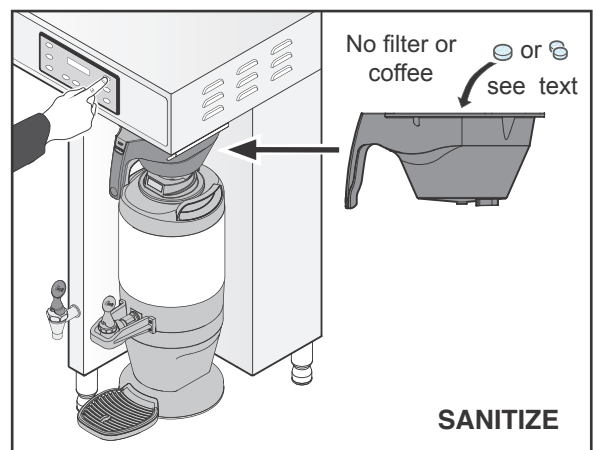
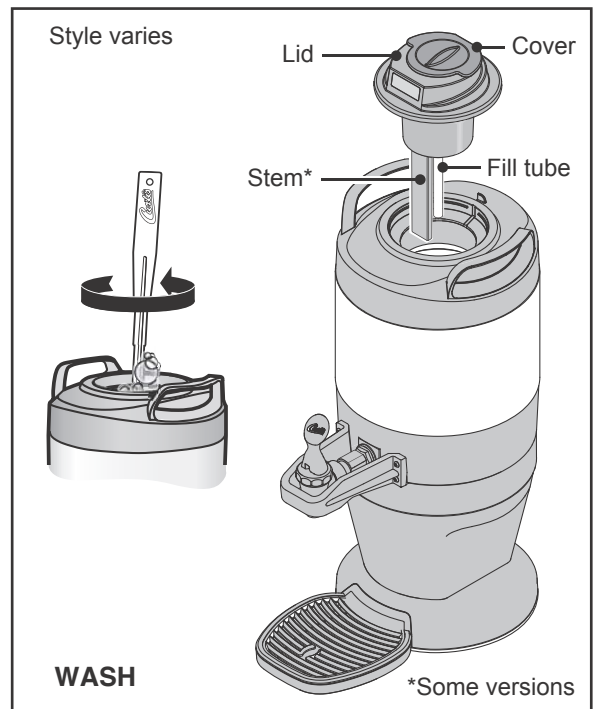


IMPORTANT: Some dispensers have a stem on the bottom of the lid with a built-in sensor used for the FreshTrac® feature. Keep this stem free from coffee oil build-up for proper operation.

Cleaning the Container

- 1 Remove the lid. Rinse the dispenser and lid.
- 2 **Wash** - Prepare a mild solution of detergent and warm water. Wipe the exterior surfaces of the container and the lid with a sponge moistened with the detergent solution to remove spills and debris. Using the supplied brush, clean inside the fill tube on the lid. Fill the liner with the detergent solution. Use a sponge brush to scrub out the stainless steel liner.
- 3 **Rinse** - Rinse out the liner and lid with clean, warm water.
- 4 **Sanitize** - Reattach the lid, remove the cover and center the hole under the brew basket on the brewer. For 1.5 gal. (5.7 L) dispensers, drop one TABZ Z95 tablet into the brew basket. For 1.0 gal. (3.8 L) dispensers, drop two TABZ Z61 tablets into the brew basket. Slide the brew basket (with just the tablet[s] inside) into the brew rails on the brewer. Run a brew cycle and allow the liner to soak for 5 to 10 minutes after fluid stops flowing.
- 5 Open the faucet and drain out the sanitizer (to clean the faucet shank).
- 6 Fill the liner to the top with clean, warm water and drain through the faucet (to rinse the faucet shank).
- 7 Fill the liner to the top with water a second time and drain through the faucet. Rinse the lid thoroughly, pouring water through the brew-through hole and tube, during rinsing.

continued...



* For 1.5 gal./5.7 L dispensers use type Z95 (Curtis PN WC-79000)
 For 1.0 gal./3.8 L dispensers use type Z61 (Curtis PN WC-79003)

Cleaning the Thermal Dispenser (cont.)

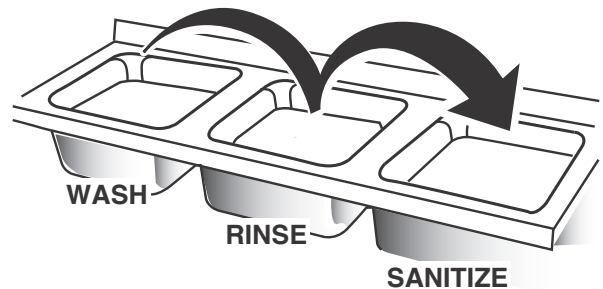
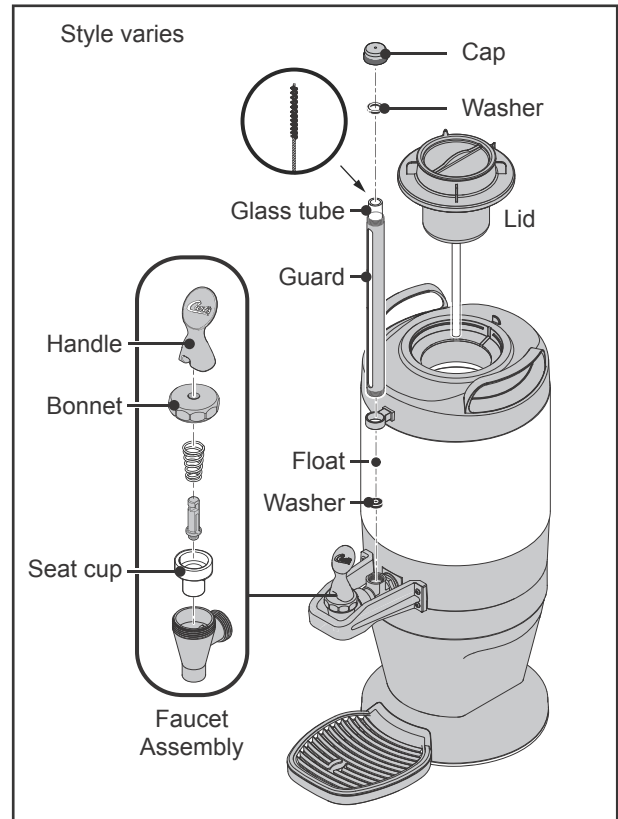
- 8 Disassemble the faucet - Unscrew the handle/ bonnet assembly from the top of the faucet and remove it. Inspect the seat cup for wear. Replace the seat cup if it is damaged.

Disassemble the sight gauge (some versions). Unscrew the cap and guard to dis-assemble. Remove the glass tube. Inspect it for cracks or chips. If broken, replace the glass with a new one.

- 9 **Air Dry** - Turn the container and lid upside down and allow to air dry.

Cleaning the Faucet Parts and Site Gauge

- 10 **Wash** - Wash all faucet and gauge glass parts (if applicable) with the detergent solution. Clean the inside of the gauge glass with a gauge brush soaked with detergent solution.
- 11 **Rinse** - Thoroughly rinse all parts with clean, warm water.
- 12 **Sanitize** - After rinsing, place all faucet and gauge parts in a sink to be sanitized. Immerse them in One-Pro cleaner mixed at a ratio of 1 oz. (28 g.) per 5 gal. (19 L) of hot water (122°F/50°C min.). Allow the parts to soak for 15 minutes.
- 13 **Air Dry** - Remove the faucet parts from the sanitizer, rinse thoroughly and allow them to air dry.
- 14 Reassemble - When dry, reassemble the handle/ bonnet. Hand tighten the handle/bonnet onto the top of the faucet assembly, reinstall the site gauge (if applicable). If replacing a broken gauge glass, carefully remove any traces of glass from the silicone parts before inserting the new gauge glass tube. Reinstall the lid.



Cleaning the Airpot/Pour Pot (Daily)

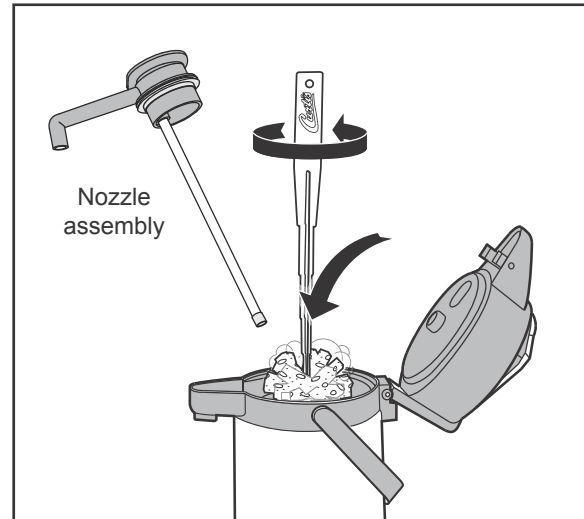


WARNING: DO NOT immerse the airpot/pour pot or lid assembly in water or any other liquid. Do not place the airpot/pour pot or lid in a dishwasher. Placing a airpot or pour pot in a dishwasher will void the warranty.

Start by preparing a mild solution of detergent and warm water. Remove the airpot/pour pot from the brewer and remove/open the lid. On airpots, remove the nozzle assembly. Rinse.

Cleaning Airpots

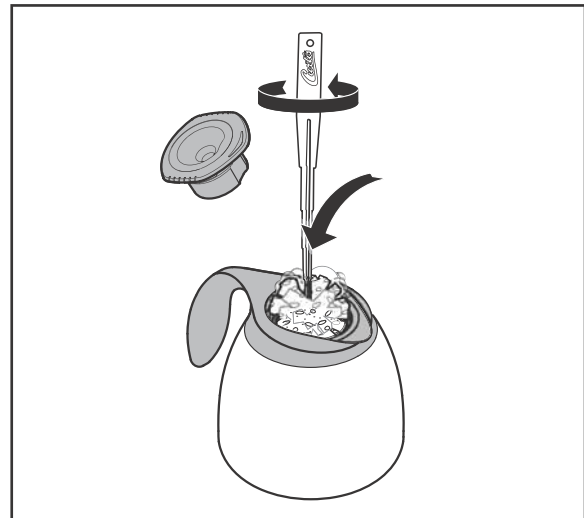
- 1 **Wash** - Wipe the exterior surfaces of the airpot and lid with a sponge soaked with the detergent solution to remove spills and debris. Fill the liner with the detergent solution. Use a sponge cleaning brush to clean inside. Clean the spout/siphon tube with the detergent solution.
- 2 **Rinse** - Rinse the airpot and the spout/siphon tube with clean, warm water.
- 3 **Sanitize** - Sanitize the interior of the airpot, the spout/siphon tube and the lid, using a commercial sanitizer suitable for food grade applications. Swab, brush or pressure spray the sanitizing solution according to the directions on the package.
- 4 **Air Dry** - Turn the airpot and lid upside down. Allow all parts to air dry.



TLXA2201G000 shown. Appearance and size varies with model number.

Cleaning Pour Pots

- 1 **Wash** - Wipe the exterior surfaces of the pour pot and lid with a sponge soaked with the detergent solution to remove spills and debris. Fill the liner with the detergent solution. Use a sponge cleaning brush to clean inside.
- 2 **Rinse** - Rinse the pour pot and the lid with clean, warm water.
- 3 **Sanitize** - Sanitize the interior of the pour pot and the lid, using a commercial sanitizer suitable for food grade applications. Swab, brush or pressure spray the sanitizing solution according to the directions on the package.
- 4 **Air Dry** - Turn the pour pot and lid upside down and allow to air dry.



CLXP6401S100 shown. Appearance and size varies with model number.

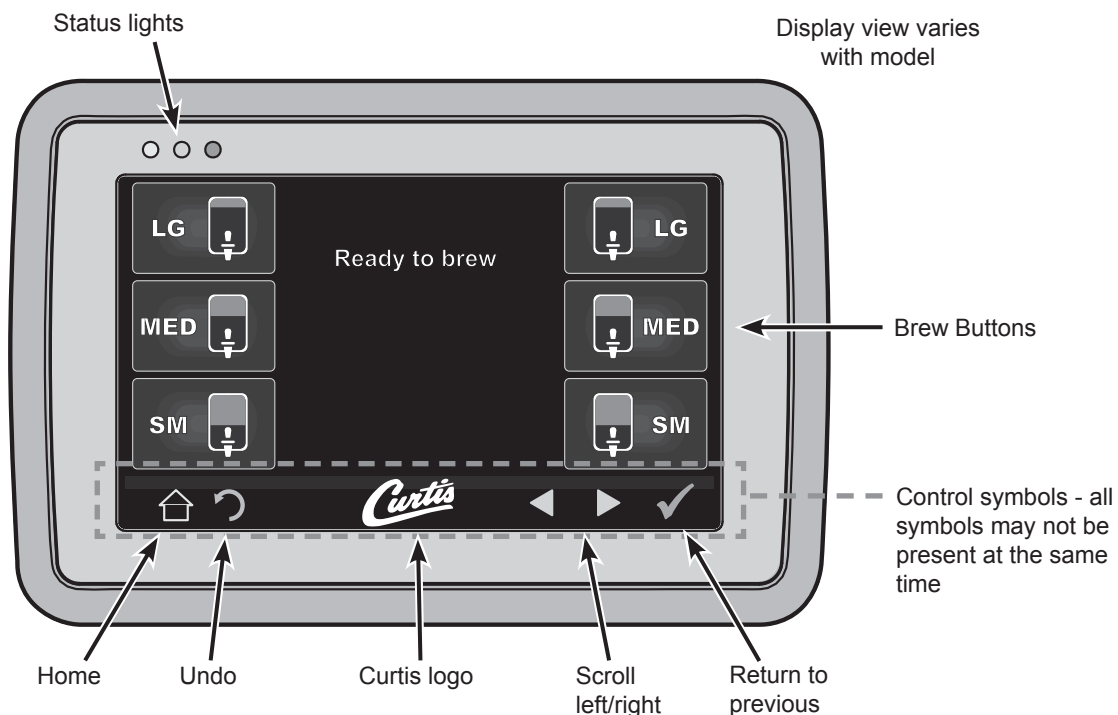


NOTE: The stem on the bottom of TFT series pour pot lids have a built-in sensor used for the FreshTrac[®] feature. Keep this stem free from coffee oil build-up for proper operation. After cleaning, inverting the lid for 30 seconds resets the FreshTrac timer.

Touchscreen Control Module Overview

The touchscreen turns on whenever the rear toggle switch is on. The symbol buttons on the screen control operation and programming. Pressing the on-screen symbols and buttons with your finger tip activates the various functions. The default screen, as well as additional control buttons are shown below.

There are two methods for changing the default settings on G4 brewers. The settings can be programmed manually using the brewer touch screen (see below), or automatically using the USB (Universal Serial Bus) data port on the side of the brewer (see *Automatic Programming - USB*).



Manual Programming Mode

- 1 Tap the (white) Curtis logo on the touchscreen five (5) times to enter programming mode.

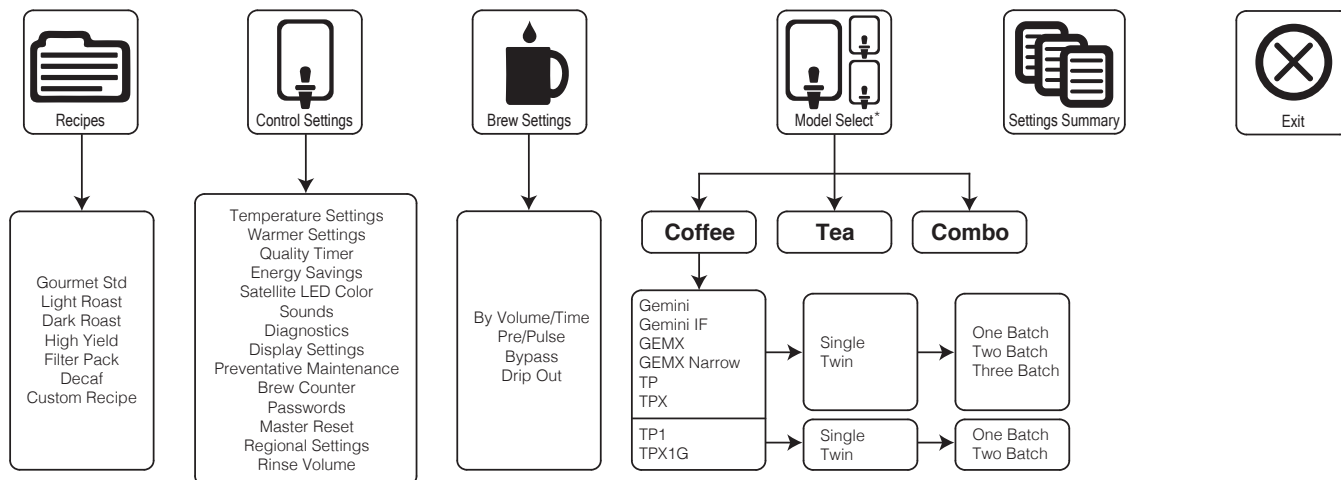
ENTER ACCESS CODE		
1234		
1	2	3
4	5	6
7	8	9
Del	0	OK



- 2 The ACCESS CODE screen will appear. The default pass code is 1 2 3 4. Once the code is entered, press OK. The MAIN MENU screen will appear. The access code can be reset in the Control Settings sub-menu, under Passwords.
- 3 The MAIN MENU screen contains a series of sub-menu icons. The icons vary based on the model selected under the Model Select sub-menu. For the brewer to operate properly, the model selected must match the model series on the brewer model number label affixed to the outside of the machine.

Manual Programming Mode (cont.)

Shown below and on the following pages are the sub-menus available for the programming MAIN MENU. The icons and programming options that appear vary based on the brewer model selected under Model Select.



*Only models covered by this user guide are shown.

Recipes Menu

Select from the following coffee types: Gourmet STD (standard), Light Roast, Dark Roast, High Yield, Filter Pack, Decaf., or Custom Recipes. The factory default setting is Gourmet STD. Selecting the coffee type sets the temperature and various brew settings for the brewer, shown in the *Brew Settings* section, to the factory recommended settings for the type of coffee being brewed. If desired, the individual brew settings may be changed once the coffee type is selected to meet your brewing needs.

IMPORTANT: If you change any of the brewer settings on the following pages, some or all of them may be modified if you change the coffee type afterward using the Recipes menu.

Recipe Default Brew Settings (all models except G4TP1 and G4TPX1 series)						
	Temperature	Pulse Brew	Bypass Large	Bypass Medium	Bypass Small	Pre-Infusion
Gourmet STD	200°F/92°C	C	35%	10%	0%	OFF
Light Roast	200°F/92°C	C	45%	15%	0%	OFF
Dark Roast	196°F/91°C	OFF	25%	5%	0%	60/60
High Yield	192°F/89°C	OFF	35%	10%	0%	60/60
Filter Pack	200°F/92°C	C	0%	0%	0%	OFF
Decaf	200°F/92°C	C	0%	0%	0%	OFF

Recipe Default Brew Settings (G4TP1 and G4TPX1 series)					
	Temperature	Pulse Brew	Bypass Large	Bypass Small	Pre-Infusion
Gourmet STD	200°F/92°C	C	10%	0%	OFF
Light Roast	200°F/92°C	C	15%	0%	OFF
Dark Roast	196°F/91°C	OFF	5%	0%	60/60
High Yield	192°F/89°C	OFF	10%	0%	60/60
Filter Pack	200°F/92°C	C	0%	0%	OFF
Decaf	200°F/92°C	C	0%	0%	OFF

continued...

Control Settings Menu

Temperature - sets the brewing temperature of the water held in the water tank. The factory default setting is 200°F/92°C. The setting range is 160°F to 206°F (71°C to 97°C).

Warmer Settings (some models)

- **Auto-Off (G4GEMS/G4GEMT series)** - adjusts the time that elapses before the dispenser warmer shuts off automatically. The factory default setting is Disabled. The setting range is 1 to 12 hours.
- **Auto-Off (G4GEMSIF/G4GEMTIF series)** - adjusts the time that elapses before the dispenser warmer shuts off automatically. The factory default setting is 10 hours.
- **Power Setting (All G4 Gemini series)** - sets the warmer power level. The factory default setting is MED. The available settings are HIGH (100%), MED (85%) or LOW (70%).

Quality Timer (G4GEMSIF/G4GEMTIF and G4GEMX series only) - adjusts the Intellifresh® quality timer. The factory default setting is 2 hours. It notifies the user that the coffee is no longer fresh. The setting range is 20 minutes to 4 hours for G4GEMSIF/G4GEMTIF series and 20 minutes to 3 hours, 50 minutes for G4GEMX series.

Energy Save Mode - saves energy during periods of non-use. The factory default setting is No Change (energy saver off). The setting options are No Change, turn off the heating element after four hours of non-use or reduce the heating element temperature to 140°F (60°C) after four hours of non-use.

Satellite Color (G4GEMX series models only) - changes the color scheme of the dispenser. The default setting color is white when the quality timer is on, red when it is off.

Sounds - turns the beeper heard each time a button is pressed, on or off. The factory default setting is On.

Diagnostics - runs the system auto-test. See the *Troubleshooting Guide* for more details.

Display Settings

- **Brew Timer** - turns the brew timer on the display on and off. The factory default setting is Show.
- **Quality Timer (G4GEMSIF/G4GEMTIF and G4GEMX series only)** - Turns the quality timer display on and off. The factory default setting is Show.
- **Rinse Server Message** - turns the "Rinse Server before Brewing" message display on and off. The factory default setting is Show.
- **Warmer Icon (G4GEMSIF/G4GEMTIF and G4GEMX series only)** - turns the warmer icon on and off. It appears on the display when the warmer is on. The factory default setting is Show.
- **Screen saver** - turns the display screen saver on and off. The factory default setting is Off.
- **Display Name** - changes the company name on the display. The factory default is blank.
- **Brew button icon** - switches the brew button icons that appear on the display (Original or bags, the factory default setting is Original).

Preventive Maintenance

- **Maintenance Interval** - turns on/off and adjusts the preventive maintenance brew monitor. The factory default setting is Disabled. When Enabled, it measures the number of gallons brewed before the maintenance reminder appears on the display. The setting range is 1000 to 20,000 gal. (75,700 L).
- **Service Telephone Number** - sets the service phone number that appears on the display when the UCM detects an error condition. The factory default is 1-800-000-0000.

Brew Counter - When accessed, this feature displays the total number of brew cycles and the resettable brew cycle counter (number of brew cycles since last reset).

continued...

Control Settings Menu (cont.)

Passwords

- **Programming Password** - changes the programming menu password. Always active. The factory default is 1234.
- **Brew Password** - turns the brew access password feature on and off and is used to create the brew password. This feature prevents brewing by unauthorized persons. The factory default setting is Disabled. When Enabled, an access code keypad appears on the screen when the brew button is pressed. The correct access code must be entered before brewing will proceed.
- **USB Password** - turns the USB screen access password on and off and is used to create the USB access password. This feature prevents access by unauthorized persons to the USB programming screens. The factory default setting is Disabled. When Enabled, an access code keypad appears on the screen when the user attempts to access the USB menus.

Master Reset - resets the brewer universal control module (UCM) to the factory default settings.

Regional Settings

- **SI/US** - switches the brewer unit settings between US and metric. The factory default setting is US.
- **Language** - changes the language that appears on the display. The factory default setting is English.

Rinse Volume - turns the dispenser rinse options on and off. The factory default setting is Disabled. The setting range for rinse volume is 8 oz. to 32 oz.

Brew Settings Menu

When you first enter the Brew Settings programming menu, you will be asked to select (press) a BREW button to change the settings for. To program more than one BREW button, finish programming the first, then **reenter the Brew Settings menu to program the second.**

Brew by Volume (G4TP1 and G4TPX1 series) - adjusts the volume brewed. The factory default settings (Gourmet STD setting) are LARGE 132 oz. ± 6 oz./3.9 L ± 177 ml and SMALL 64 oz. ± 4 oz./1.9 L ± 118 ml. With a dispenser in place, press START to begin. When the desired volume is reached, press STOP. The brew volume is now set.

Brew by Volume (all models except G4TP1 and G4TPX1 series) - adjusts the volume brewed. The factory default settings (Gourmet STD setting) are LARGE 200 oz. ± 8 oz./5.9 L ± 236 ml, MEDIUM 132 oz. ± 4 oz./3.9 L ± 118 ml, SMALL 64 oz. ± 4 oz./1.9 L ± 118 ml. With a dispenser in place, press START to begin. When the desired volume is reached, press STOP. The brew volume is now set.

Brew by Time (G4TP1 and G4TPX1 series) - adjusts the amount of coffee brewed by time rather than by volume. The factory default settings [Gourmet STD setting] are LARGE: 3 min.-32 sec. and SMALL: 1 min.-52 sec.

Brew by Time (all models except G4TP1 and G4TPX1 series) - adjusts the amount of coffee brewed by time rather than by volume. The factory default settings [Gourmet STD setting] are LARGE: 5 min.-25 sec., MEDIUM: 3 min.-32 sec. and SMALL: 1 min.-52 sec.

Pre-Infusion - sets the brewer pre-infusion time (Pulse Brew must be Off to access, the factory default setting [Gourmet STD setting] is Off). Pre-Infusion increases control of coffee clarity and extraction. When turned On, the setting range is 10 to 60 seconds.

continued...

Brew Settings Menu (cont.)

Pulse Brew - selects the pulse brew pattern (Pre-Infusion must be off to access, the factory default setting [Gourmet STD setting] is C). The pulse brew pattern selected “tunes” or changes the flavor of the coffee. If energy saver mode is on, after pressing the brew button, the brew cycle will start when the water in the tank reaches brewing temperature.

Setting	Description
A	Toward the beginning of brew cycle: 4 cycles of 10 seconds on and 10 seconds off, then on until end of brew cycle.
B	Starts towards ends of brew cycle. 4 cycles of 10 seconds off and 4 cycles of 10 seconds on. Ends when brew cycle ends.
C	Starts at beginning of brew cycle. 5 cycles of 25 seconds on and 20 seconds off, then on until end of brew cycle.
D	Manually set. Starts at beginning of brew cycle. Number of pulses is adjustable from 1 to 12. Pulse on time and off time are both adjustable from 5 to 150 seconds.
E	Manually set. Starts at beginning of brew cycle. Number of pulses is adjustable from 1 to 12. Pulse on time and off time are both adjustable from 1 to 150 seconds.

Pulse Brew Guidelines

- Filter pack type coffees typically extract better with the A and B pulse setting.
- Decaffeinated coffees typically extract better with the B pulse setting.
- High-yield coffees typically extract better with the C pulse setting. Of course, any of the A, B or C settings may be used to suit your taste profile.
- Settings D and E are manual pulse counts.

By-Pass (G4TP1 and G4TPX1 series) - helps control extraction for larger brews. The factory default settings [Gourmet STD] are LARGE 10% and SMALL 0%. By-pass reduces contact time to avoid extraction of undesirable bitter and harsh flavor compounds. The setting range is 0% to 50%.

By-Pass (all models except G4TP1 and G4TPX1 series) - helps control extraction for larger brews. The factory default settings [Gourmet STD] are LARGE 35%, MEDIUM 10% and SMALL 0%. By-pass reduces contact time to avoid extraction of bitter and harsh flavor compounds. The setting range is 0% to 50%.

Drip-out Mode - sets the drip-out mode timer. After water stops flowing, it allows additional time for the water to drain from the brew basket before “Brewing” disappears from the display. The factory default setting is two minutes. This feature reduces the chance that the brew basket will be removed too early. The setting range is 0 seconds to 15 minutes.

Model Select Menu

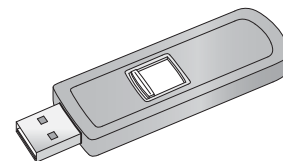
Batch Size - The model number and single/twin settings are set at the factory and should remain set to match the model number label affixed to the unit. However, this sub-menu can be used by the end user to select the number of brew buttons (batch size) that appear on the display. Upon entering the Model Select menu, select the correct model number and single/twin setting, then select the batch size.

Batch Size (Brew Buttons Displayed)		
	TP1 and TPX1	All other models
Three Batches	NA	Large Medium Small
Two Batches	Large Small	Large Small
One Batch	Large	Large

Automatic Programming - USB

Using the USB connection and a flash drive easily reprograms the settings by simply copying data.

A flash drive can copy all of the settings from one identical G4 brewer to another. Doing so eliminates the need to program each step individually using the touchscreen. This process also makes it easy to quickly standardize the program settings on multiple G4 brewers.



Use a flash drive that supports USB 2.0 or above and has a type-A USB connection. The storage capacity must be 2 GB minimum.

i **IMPORTANT:** The flash drive must be completely blank. Erase any existing files on the drive before starting the following process.

Uploading the Software to the Flash Drive

- 1 Make sure the brewer is on. Check to make sure that the brewer you are copying settings from is programmed as desired.
- 2 Open the cover on the USB port and insert the connector on the empty flash drive. The port is located on the right side panel of the brewer, near the top. The universal control module (UCM) will upload all of the setup data onto the flash drive. The yellow LED icon on the top left of the touchscreen will light indicating that data is transferring. This process will only take a second to complete.

Downloading the Software to the Brewer from the Flash Drive

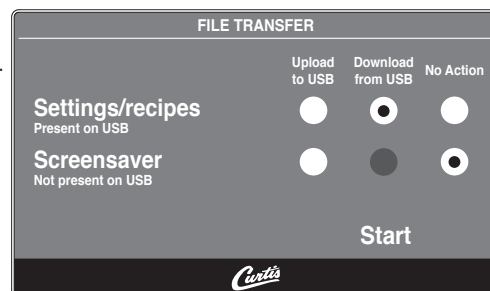
- 1 Select the (identical) brewer you wish to make program changes to. The brewer must be on.
- 2 Plug the loaded flash drive into the USB port on the brewer. The data copied from the first brewer will automatically download, overwriting all the settings that were on the second brewer.
- 3 The red LED on the top left of the touchscreen will indicate that the download is in process. This will only take a second.
- 4 Once the download is complete, the UCM will reboot so that the changes take effect.
- 5 Remove the flash drive. The download is complete. The data on the flash drive can continue to be downloaded into as many identical brewers as needed.

USB File Transfer

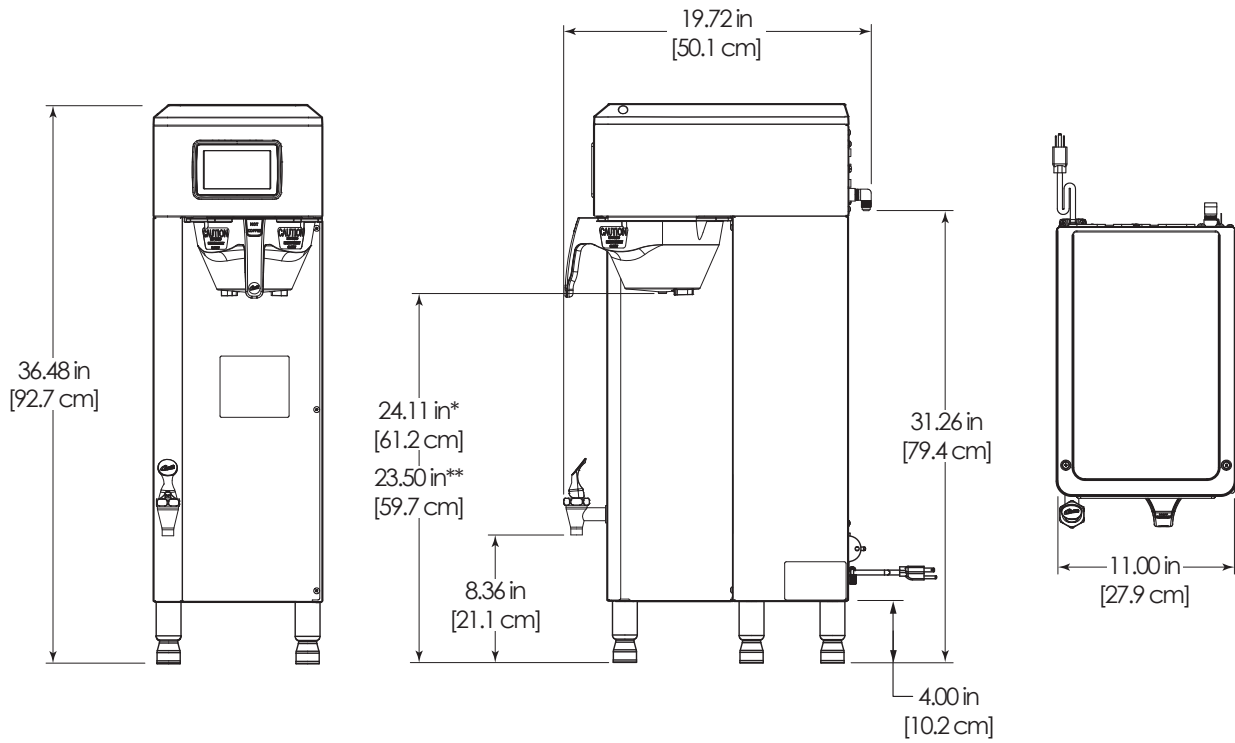
This screen will be present whenever the USB flash drive is inserted, provided the brewer is not currently brewing.

The default action is “No Action”. The UCM will always create a backup on the flash drive before downloading settings/recipes or a screen-saver.

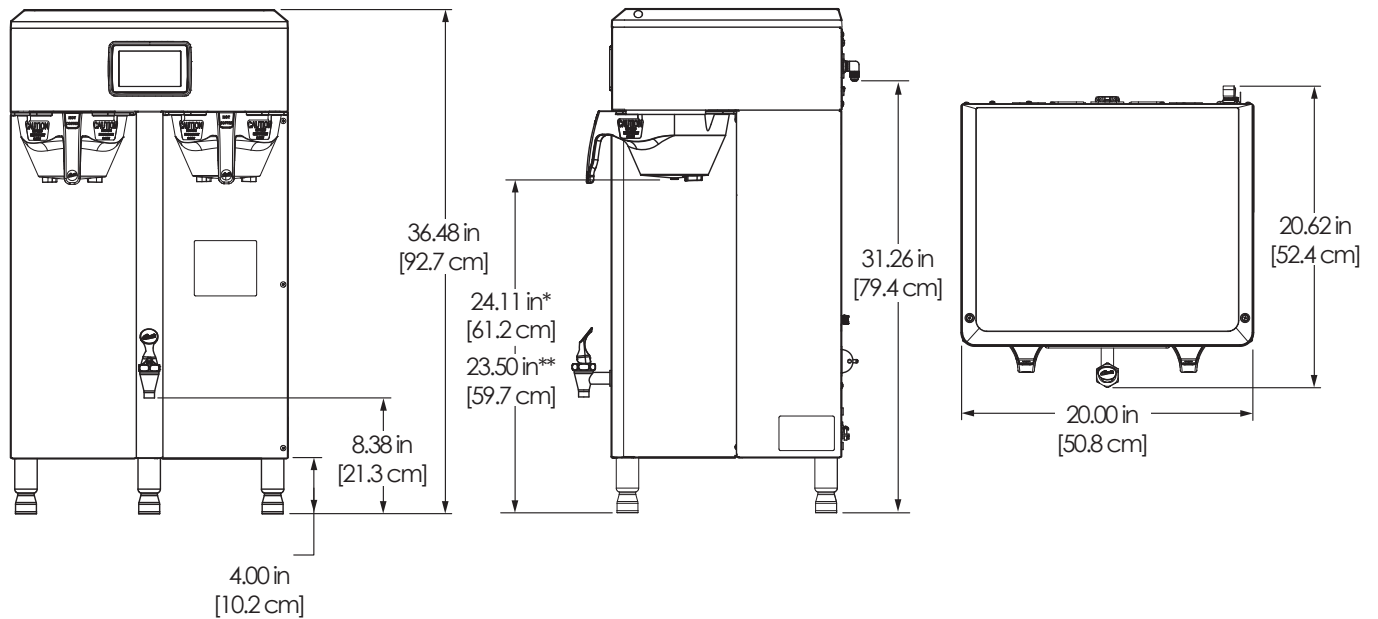
If a firmware update is present on the flash drive, the firmware update procedure will be started before the screen is shown.



G4TPX2S - Single Coffee Brewer



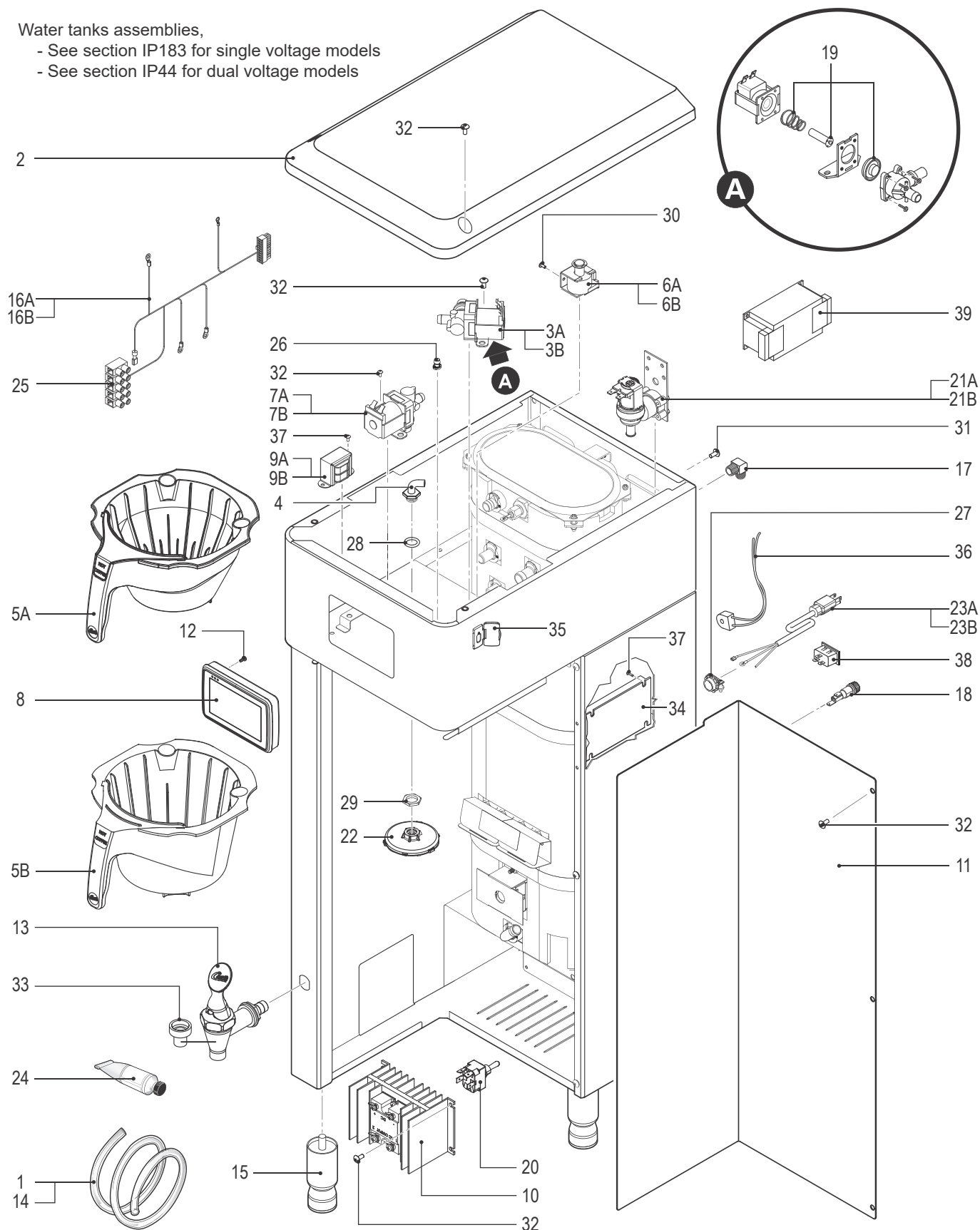
G4TPX2T - Twin Coffee Brewer



* Standard brew basket
 ** High volume brew basket

G4TPX2S - Main Chassis - Exploded View

Water tanks assemblies,
 - See section IP183 for single voltage models
 - See section IP44 for dual voltage models



G4TPX2S - Main Chassis - Parts List

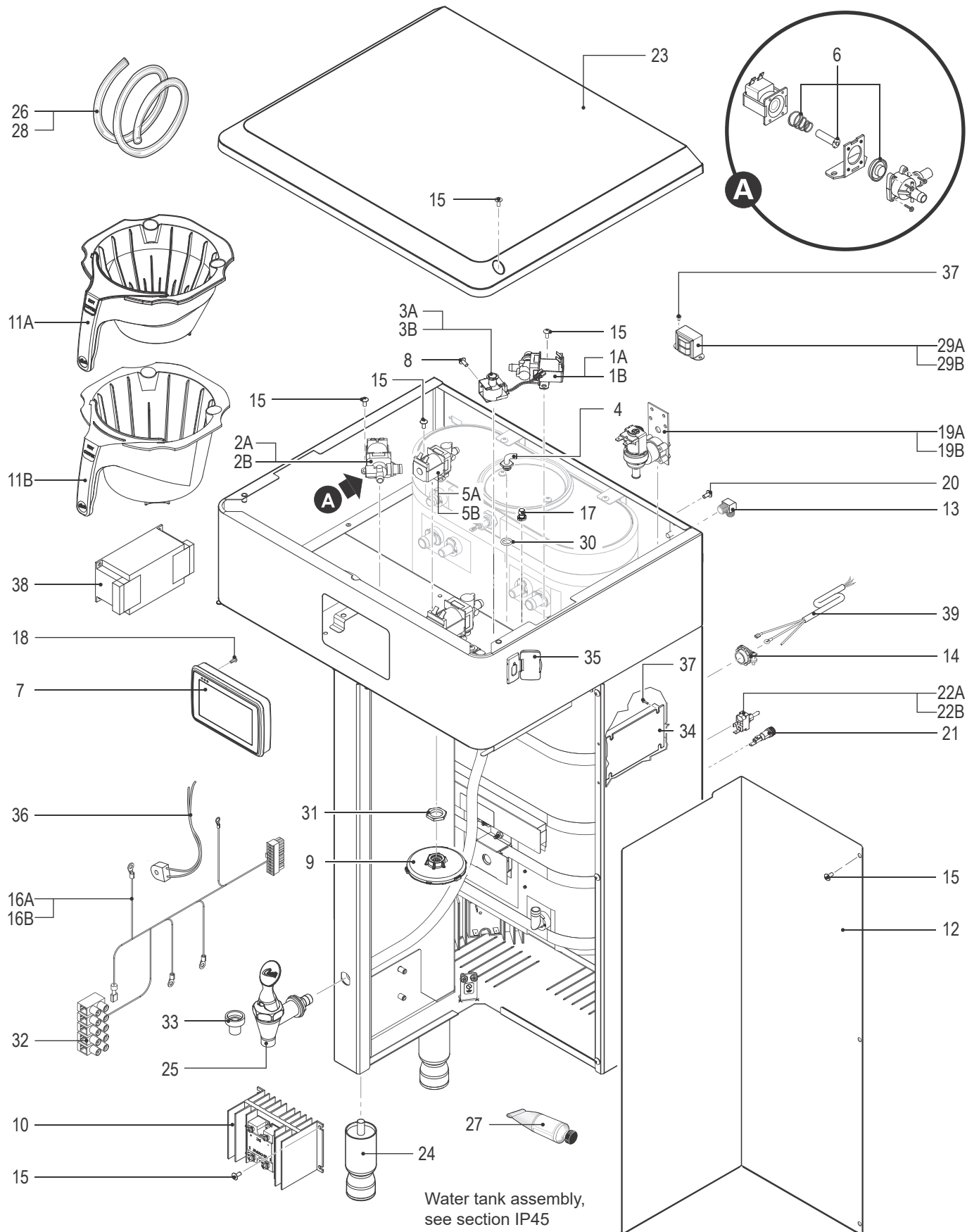
ITEM #	PART #	DESCRIPTION
1*	WC-5350	TUBE, 1/2 ID x 1/8W SILICONE GEN USE
2	WC-66116	KIT COVER, TOP
3A*	WC-820WDR ^a	VALVE, DUMP RIGHT 120V 12W W/INTERNAL RESISTOR & DIODE
3B	WC-854 ^b	VALVE, BREW DUMP RIGHT 240V 12W GEM12D/TP/TPC
4	WC-2977K	KIT, SPRAYHEAD FITTING METAL
5A	WC-3417-P	BREW CONE, ASSY W/SPLASH POCKET BRWN STYLIZED GEMIN HOT COFFEE
5B	WC-3422-P	BREW CONE, ASSY W/SPLASH POCKET
6A	WC-442 ^a	SOLENOID, LOCK BREW CONE RIGHT/LEFT 120V TP2T/TP2S/GEMSS/GEM
6B	WC-446 ^b	SOLENOID, LOCK BREW CONE RIGHT 220V THERMOPRO/GEMTS
7A*	WC-844-101 ^a	VALVE, BY-PASS, NON-ADJUSTABLE WITH RESTRICTOR (WC-2945)
7B	WC-844-102 ^b	VALVE, BY-PASS, 220V NON-ADJUSTABLE W/ RESTRICTOR (WC-2945)
8	WC-10000	CONTROL MODULE, TOUCH SCREEN G4
9A	WC-589-101 ^a	TRANSFORMER, 120VAC-24V 4.8A W/ LEADS & MOLEX CONNECTOR
9B	WC-589-102 ^b	TRANSFORMER, 240VAC- 24V 4.8VA W/LEADS & MOLEX CONNECTOR
10	WC-8559	RELAY, SOLID STATE 280V/40A W/ HEATSINK AND QUICK DISCONNECTS
11	WC-73179	COVER, CENTER
12	WC-4458	SCREW, 6-19 x 1/2" PHIL PAN HD TRI-LOBULAR 60-1 THRD FORMING
13	WC-1825	FAUCET, ASSY HOT WATER TP2S
14*	WC-5310	TUBE, 5/16 ID x 1/8W SILICONE
15	WC-3528	LEG, 4" ADJUSTABLE 3/8-16 THRD ITALIAN STYLE
16A	WC-13462 ^a	HARNESS ASSY G4TP2S (INCLUDES TERMINAL BLOCK)
16B	WC-13462-102 ^b	HARNESS COMPETE, G4TPX1S31 (INCLUDES TERMINAL BLOCK)

^a G4TPX2S63x^b G4TPX2S34x

* Recommended parts to stock

ITEM #	PART #	DESCRIPTION
17	WC-2402P-P	ELBOW, 3/8"FL x 3/8" NPT PLATED
18	WC-1501	FUSE, HOLDER ASSY W/5A FUSE
19	WC-37132-101	KIT, VALVE REPAIR FOR DELTROL WC-820WDR, WC-821WDR, WC-844WDR
20	WC-103	SWITCH, TOGGLE NON-LIT DPST 25A 125/250VAC RESISTIVE
21A*	WC-847 ^a	VALVE, INLET 2 GPM 120V 10W GEN USE BROWN BODY
21B	WC-883 ^b	VALVE, INLET 2 GPM 240V 6W
22*	WC-29050	SPRAYHEAD, AMBER ADVANCED FLOW
23A	WC-1200 ^a	CORD, 14/3 SJTO 6' BLK W/PLUG
23B	WC-1256 ^b	CORD, 1.5mm ² X 3 W/GB-2099 & C19 CHINA
24	WC-5231	COMPOUND, HEAT SINK 5OZ
25	WC-314	POWER BLOCK, 5 STATION
26	WC-29044-101	SLEEVE, OVERFLOW ASSY GEN USE
27	WC-1412	CORD GRIP, 3/4" FOR METAL CORD TO .81"OD
28	WC-4320	O'RING, 0.4871.D.x 0.693OD x0.103CS BUNA-N #112
29	WC-4213-P	NUT, 5/8 LOCK PLATED
30	WC-4412	SCREW, 10-32x3/16" PH PN HD MS SS
31	WC-4616	SCREW, 1/4-20 x 1/2 PHILLIPS PAN HEAD STAINLESS STEEL
32	WC-4426	SCREW, 8-32x3/8 PH HEAD TRUSS
33	WC-1805	SEAT CUP, "S" FAUCET USE ON WC-1800/B/LB/D/DL/L/WC-1803
34	WC-10001	CONTROL MODULE, UPM 120/220V G4
35	WC-10008	UNIVERSAL HOST ADAPTER USB
36	WC-14045-101	CURRENT SENSOR ASSY G4
37	WC-4514	SCREW, 8-32x3/8 PAN HEAD PH SS
38	WC-1522 ^b	SOCKET, POWER INLET 16A/250V SNAP-IN
39	WC-596K ^b	KIT, NOISE FILTER EMI 250V/30A 1PH

G4TPX2T - Main Chassis - Exploded View



G4TPX2T - Main Chassis - Parts List

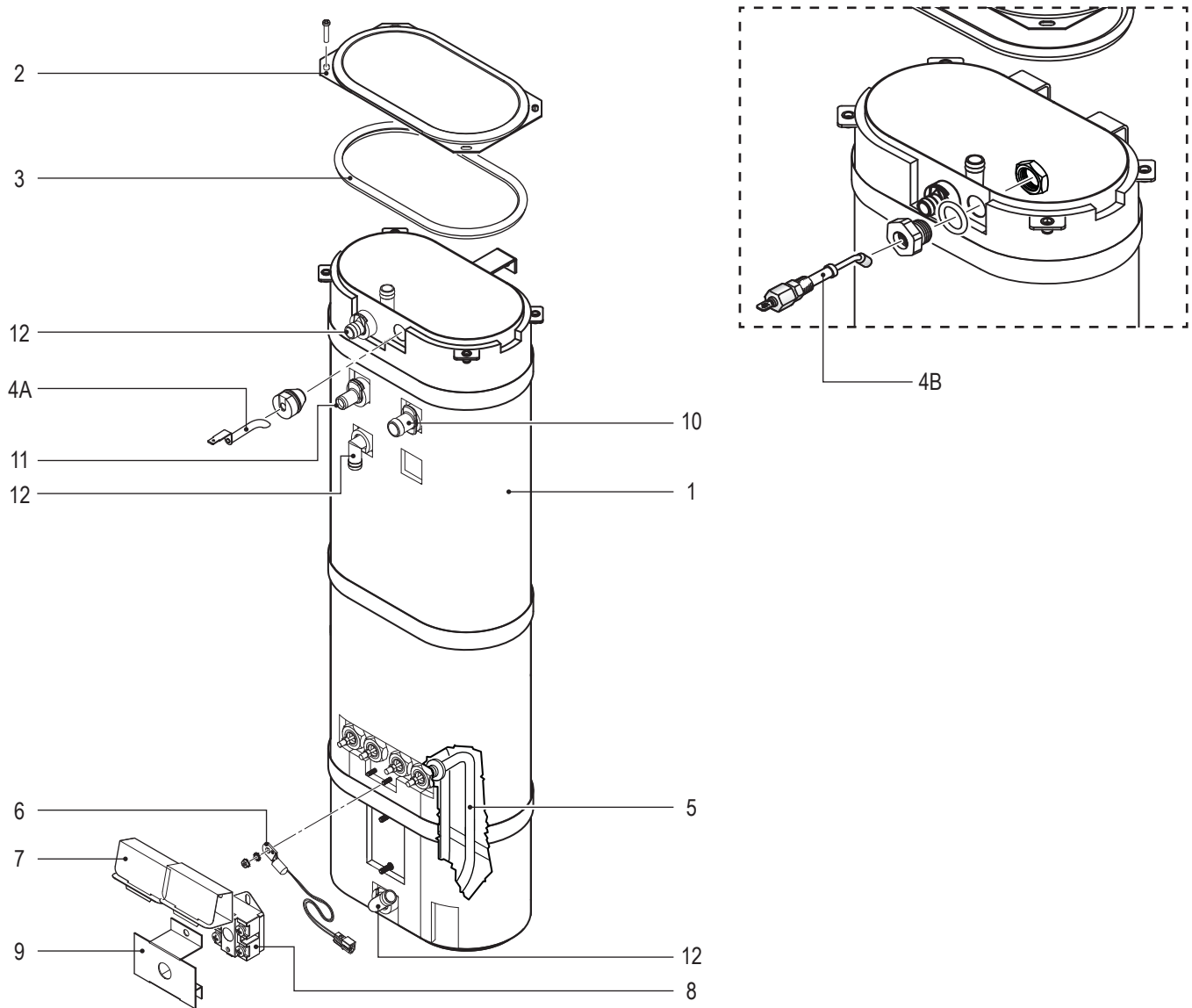
ITEM #	PART #	DESCRIPTION
1A*	WC-820WDR ^a	VALVE, DUMP RIGHT 120V 12W W/INTERNAL RESISTOR & DIODE
1B	WC-854 ^b	VALVE, BREW DUMP RIGHT 240V 12W GEM12D/TP/TPC
2A*	WC-821WDR ^a	VALVE, DUMP LEFT 120V 12W W/INTERNAL RESISTOR & DIODE
2B	WC-853 ^b	VALVE, BREW DUMP LEFT 240V 12W GEM12D/TP/TPC
3A*	WC-442 ^a	SOLENOID, LOCK BREW CONE RIGHT/LEFT 120V TP2T/TP2S/GEMSS/GEM
3B	WC-446 ^b	SOLENOID, LOCK BREW CONE RIGHT 220V THERMOPRO/GEMTS
4	WC-2977K	KIT, SPRAYHEAD FITTING METAL
5A*	WC-844-101 ^a	VALVE, BY-PASS, NON-ADJUSTABLE WITH RESTRICTOR (WC-2945)
5B	WC-844-102 ^b	VALVE, BY-PASS, 240V NON-ADJUSTABLE W/ RESTRICTOR (WC-2945)
6	WC-37132-101	KIT, VALVE REPAIR FOR DELTROL WC-820WDR,WC-821WDR, WC-844WDR
7	WC-10000	CONTROL MODULE, TOUCH SCREEN G4
8	WC-4412	SCREW, 10-32x3/16" PH PN HD MS SS
9*	WC-29050	SPRAYHEAD, AMBER ADVANCED FLOW
10	WC-8559	RELAY, SOLID STATE 280V/40A W/ HEATSINK AND QUICK DISCONNECTS
11A	WC-3417-P	BREW CONE, ASSY W/SPLASH POCKET BRWN STYLIZED GEMIN HOT COFFEE
11B	WC-3422-P	BREW CONE,ASSY W/SPLASH POCKET
12	WC-73185	COVER, CENTER
13	WC-2402P-P	ELBOW, 3/8"FL x 3/8" NPT PLATED
14	WC-1412	CORD GRIP, 3/4" FOR METAL CORD TO .81"OD
15	WC-4426	SCREW, 8-32x3/8 PH HEAD TRUSS
16A	WC-13450 ^a	HARNESS ASSY, COMPLETE G4TP2T (INCLUDES TERMINAL BLOCK)
16B	WC-13450-101 ^b	HARNESS ASSY COMPLETE G4TP2T G4TPC2T/ G4GEMT/G4TP1T-30'S (INCLUDES TERMINAL BLOCK)
17	WC-29044-101	SLEEVE, OVERFLOW

^a G4TPX2T10x^b G4TPX2T30x

* Recommended parts to stock

ITEM #	PART #	DESCRIPTION
18	WC-4458	SCREW, 6-19 x 1/2" PHIL PAN HD TRI-LOBULAR 60-1 THRD FORMING
19A*	WC-847 ^a	VALVE, INLET 2 GPM 120V 10W GEN USE BROWN BODY
19B	WC-883 ^b	VALVE, INLET 2 GPM 240V 6W
20	WC-4616	SCREW, 1/4-20 x 1/2 PHILLIPS PAN HEAD STAINLESS STEEL
21	WC-1501	FUSE, HOLDER ASSY W/5A FUSE
22A	WC-102	SWITCH, TOGGLE NON-LIT SPST 15A 125/6A 250VAC RESISTIVE
22B	WC-103 ^b	SWITCH, TOGGLE NON-LIT DPST 25A 125/250VAC RESISTIVE
23	WC-66118	COVER, TOP
24	WC-3528	LEG, 4" ADJUSTABLE 3/8-16 THRD ITALIAN STYLE
25	WC-1825	FAUCET, ASSY HOT WATER TP2S
26*	WC-5310	TUBE, 5/16 ID x 1/8W SILICONE GEN USE
27	WC-5231	COMPOUND, HEAT SINK 5OZ
28*	WC-5350	TUBE, 1/2 ID x 1/8W SILICONE GEN USE
29A	WC-589-101 ^a	TRANSFORMER,120VAC-24V 4.8A W/ LEADS & MOLEX CONNECTOR
29B	WC-589-102 ^b	TRANSFORMER,240VAC- 24V 4.8VA W/LEADS & MOLEX CONNECTOR
30	WC-4320	O'RING, 0.4871.D.x 0.693OD x0.103CS BUNA-N #112
31	WC-4213-P	NUT, 5/8 LOCK PLATED
32	WC-314	POWER BLOCK, 5 STATION
33	WC-1805	SEAT CUP, "S" FAUCET USE ON WC-1800/B/ LB/D/DL/L/WC-1803
34	WC-10001	CONTROL MODULE, UPM 120/220V G4
35	WC-10008	UNIVERSAL HOST ADAPTER USB
36	WC-14045-101	CURRENT SENSOR ASSY G4
37	WC-4514	SCREW, 8-32x3/8 PAN HEAD PH SS
38	WC-596K ^b	KIT, NOISE FILTER EMI 250V/30A 1PH
39	WC-1250 ^b	CORD, 4mm ² 90°C 49A 450/750V 6 FT LG W/ FERRULES ONE END

WC-62032-34 - Tank Assembly



WC-62032-34 - Tank Assembly - Parts List

ITEM #	PART #	DESCRIPTION
1	WC-62032-34	TANK, COMPLETE TP2S (2) 1700W/240V
2	WC-5853-102	COVER, TOP HEATING TANK GEN USE
3	WC-43062*	GASKET, TANK LID
4A*	WC-5528K ¹	KIT, WATER LEVEL PROBE, SILICONE
4B*	WC-5502-01 ²	KIT, PROBE, ASSY WATER LEVEL W/HEX FITTING, O-RING & NUT
5*	WC-986	ELEMENT, HEATING 1.7KW 240V W/JAM NUTS
6*	WC-1438-101	SENSOR, TEMPERATURE TANK
7*	WC-4394	GUARD, SHOCK/HEATING ELEMENT FOR SINGLE HEATING ELEMENT

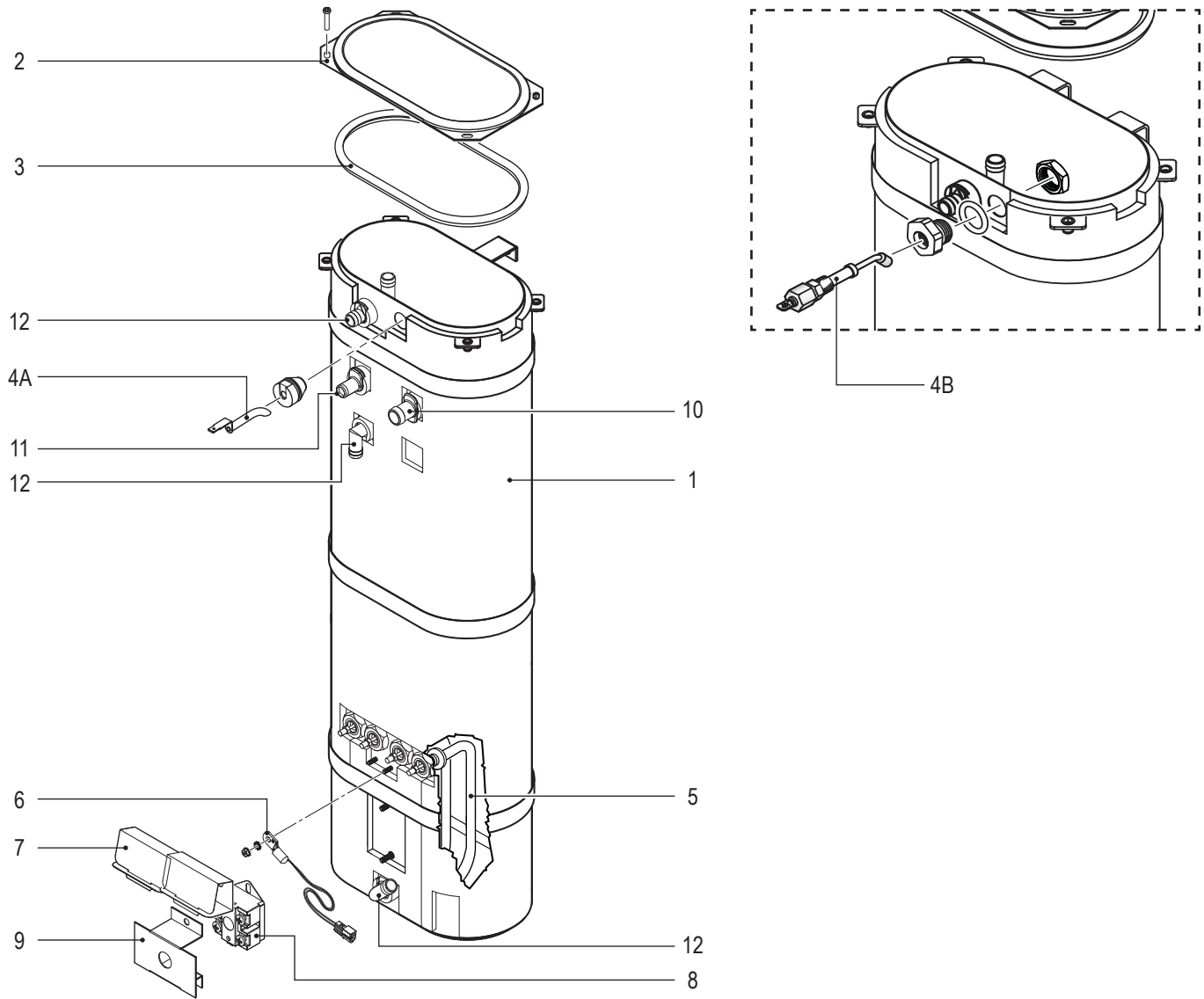
ITEM #	PART #	DESCRIPTION
8*	WC-522*	THERMOSTAT, HI LIMIT HEATER CONTROL DPST 277V 40A
9*	WC-43055	GUARD, SHOCK RESET THERMOSTAT (WC-522)
10*	WC-37357	KIT, STRAIGHT PLASTIC FITTING AND BUSHING 12MM
11*	WC-37317	KIT, STRAIGHT FITTING & BUSHING 8mm GEN USE
12*	WC-37365	KIT, FITTING TANK INLET

¹ Units built 01/04/2019 and later.

² Units built before 01/04/2019. Replaces WC-5527.

* Recommended parts to stock.

WC-62031 - Tank Assembly



WC-62031 - Tank Assembly - Parts List

ITEM #	PART #	DESCRIPTION
1	WC-62031	TANK, COMPLETE TP2S (2) 1600W/120V
2	WC-5853-102	COVER, TOP HEATING TANK GEN USE
3	WC-43062*	GASKET, TANK LID
4A*	WC-5528K ¹	KIT, WATER LEVEL PROBE, SILICONE
4B*	WC-5502-01 ²	KIT, PROBE, ASSY WATER LEVEL W/HEX FITTING, O-RING & NUT
5*	WC-904-04	KIT, ELEMENT, HEATING 1.6KW/120V W/ JAM NUT & SILICONE O-RING
6*	WC-1438-101	SENSOR, TEMPERATURE TANK
7*	WC-4394	GUARD, SHOCK/HEATING ELEMENT FOR SINGLE HEATING ELEMENT

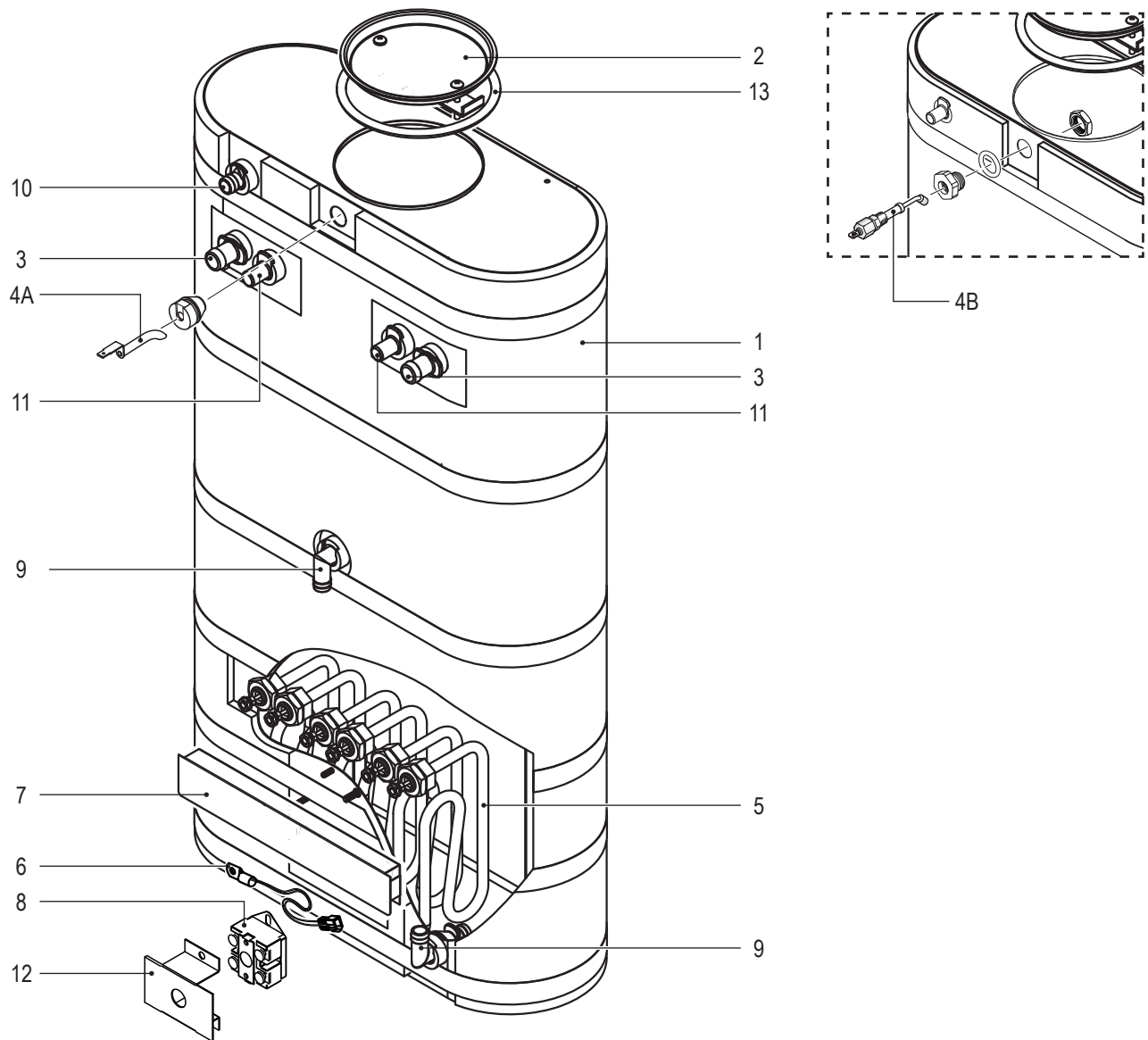
ITEM #	PART #	DESCRIPTION
8*	WC-522	THERMOSTAT, HI LIMIT HEATER CONTROL DPST 277V 40A
9*	WC-43055	GUARD, SHOCK RESET THERMOSTAT (WC-522)
10*	WC-37357	KIT, STRAIGHT PLASTIC FITTING AND BUSHING 12MM
11*	WC-37317	KIT, STRAIGHT FITTING & BUSHING 8mm GEN USE
12*	WC-37365	KIT, FITTING TANK INLET

¹ Units built 01/04/2019 and later.

² Units built before 01/04/2019. Replaces WC-5527.

* Recommended parts to stock.

WC-62030 - Tank Assembly



WC-62030 - Tank Assembly - Parts List

ITEM #	PART #	DESCRIPTION
1	WC-62030	TANK, COMPLETE TP2T ULTEM FITTINGS
2	WC-37008	KIT, TANK LID ROUND (INCLUDES GASKET)
3	WC-37357*	KIT, STRAIGHT PLASTIC FITTING AND BUSHING 12MM
4A ¹	WC-5528K*	KIT, WATER LEVEL PROBE, SILICONE
4B ²	WC-5502-01*	KIT, PROBE, ASSY WATER LEVEL W/HEX FITTING, O-RING & NUT
5	WC-934-04*	KIT, ELEMENT HEATING 2.5KW 220V W/ JAM NUT & SILICONE WASHERS
6	WC-1438-101*	SENSOR, TEMPERATURE TANK

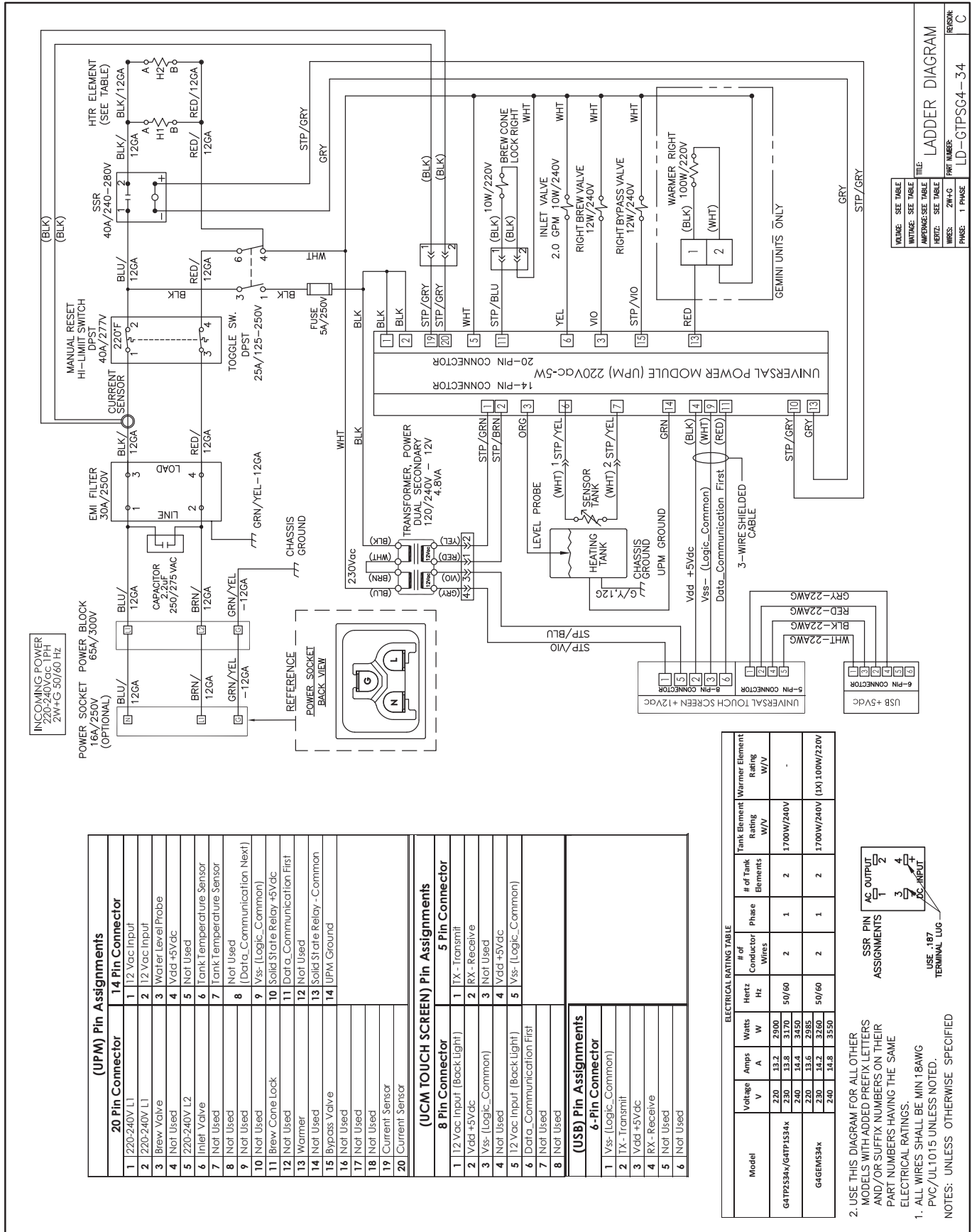
ITEM #	PART #	DESCRIPTION
7	WC-4382*	GUARD, SHOCK HTNG ELMNT DOUBLE
8	WC-522*	THERMOSTAT, HI LIMIT HEATER CONTROL DPST 277V 40A
9	WC-37365*	KIT, FITTING TANK INLET
10	WC-37266*	KIT, FITTING TANK OVERFLOW
11	WC-37317*	KIT, STRAIGHT FITTING & BUSHING 8MM GEN USE
12	WC-43055*	GUARD, SHOCK RESET THERMOSTAT (WC-522)
13	WC-43067*	SILICONE TANK LID O-RING, 4-1/2" I.D. X Ø.285

¹ Units built 01/04/2019 and later.

² Units built before 01/04/2019. Replaces WC-5527.

* Recommended parts to stock.

G4GEMS34x, G4TP[X]1S34x, G4TP[X]2S34x,

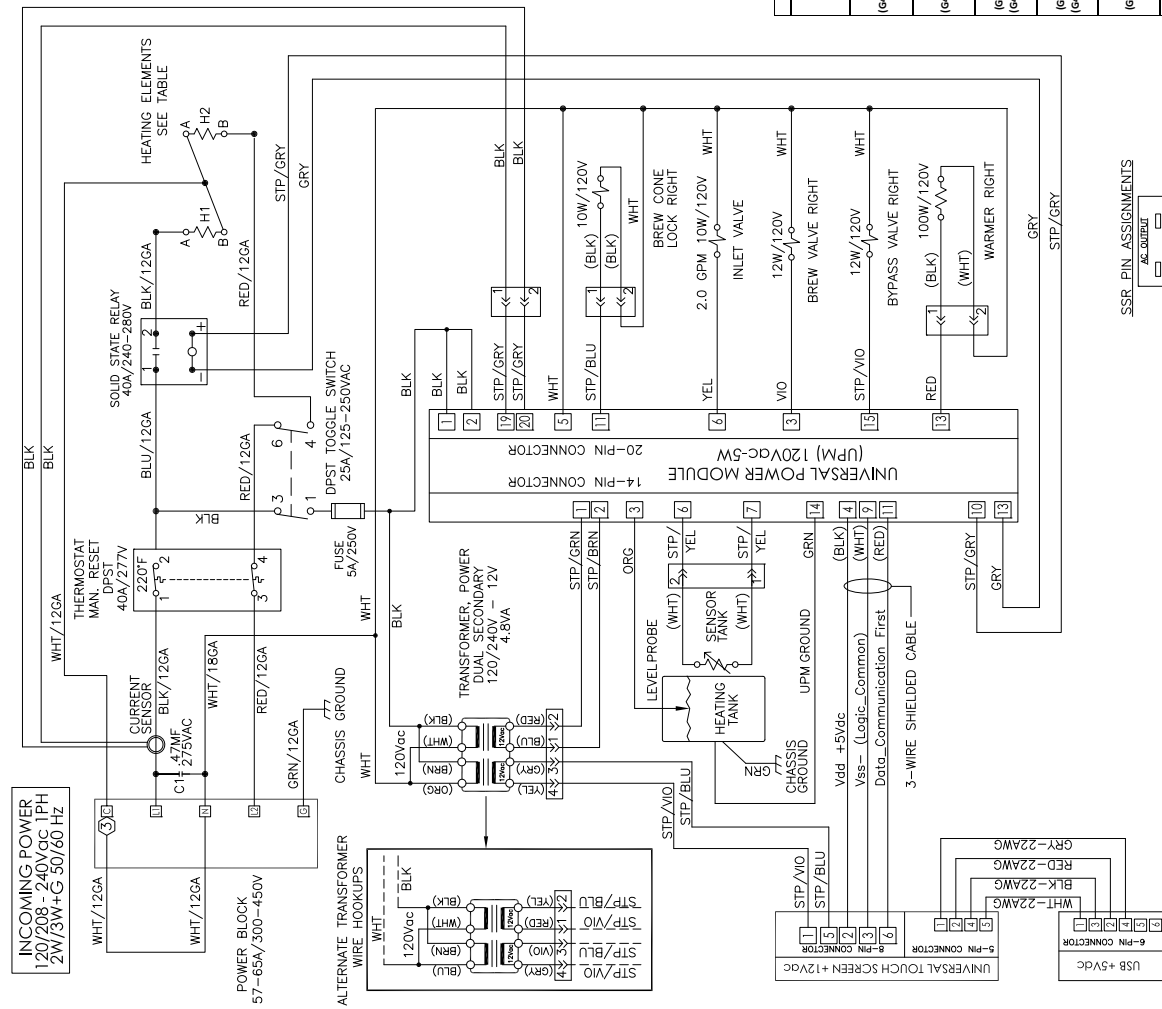


G4GEMS63x, G4TP[X]1S63x, G4TP[X]2S63x

20 Pin Connector		14 Pin Connector	
1	120Vac Hot Input	1	12 Vac Input
2	120Vac Hot Input	2	12 Vac Input
3	Brew Valve Right	3	Tank Water Level Probe
4	Brew Valve Left	4	Vdd +5Vdc
5	120Vac Neutral	5	Not Used
6	Inlet Valve	6	Tank Temperature Sensor (Not Used)
7	Not Used	7	Tank Temperature Sensor (Not Used)
8	Not Used	8	Tracc A2
9	Tracc A2	9	Vss- (Logic Common)
10	Brew Cone Lock Right	10	Solid State Relay +5Vdc
11	Brew Cone Lock Left	11	Data_Communication First
12	Warmer Right	12	Not Used
13	Warmer Left	13	Solid State Relay - Common
14	Bypass Valve Right	14	UPM Ground
15	Bypass Valve Left	15	UPM Ground
16	Not Used	16	Not Used
17	Not Used	17	Not Used
18	Not Used	18	Not Used
19	Current Sensor	19	Current Sensor
20	Current Sensor	20	Current Sensor

8 Pin Connector		5 Pin Connector	
1	12 Vac Input (Back Light)	1	TX - Transmit
2	Vdd +5Vdc	2	RX - Receive
3	Vss- (Logic Common)	3	Not Used
4	Not Used	4	Vdd +5Vdc
5	12 Vac Input (Back Light)	5	Vss- (Logic Common)
6	Data_Communication First	6	Data_Communication First
7	Not Used	7	Not Used
8	Not Used	8	Not Used

6 Pin Connector	
1	Vss- (Logic Common)
2	TX - Transmit
3	Vdd +5Vdc
4	RX - Receive
5	Not Used
6	Not Used

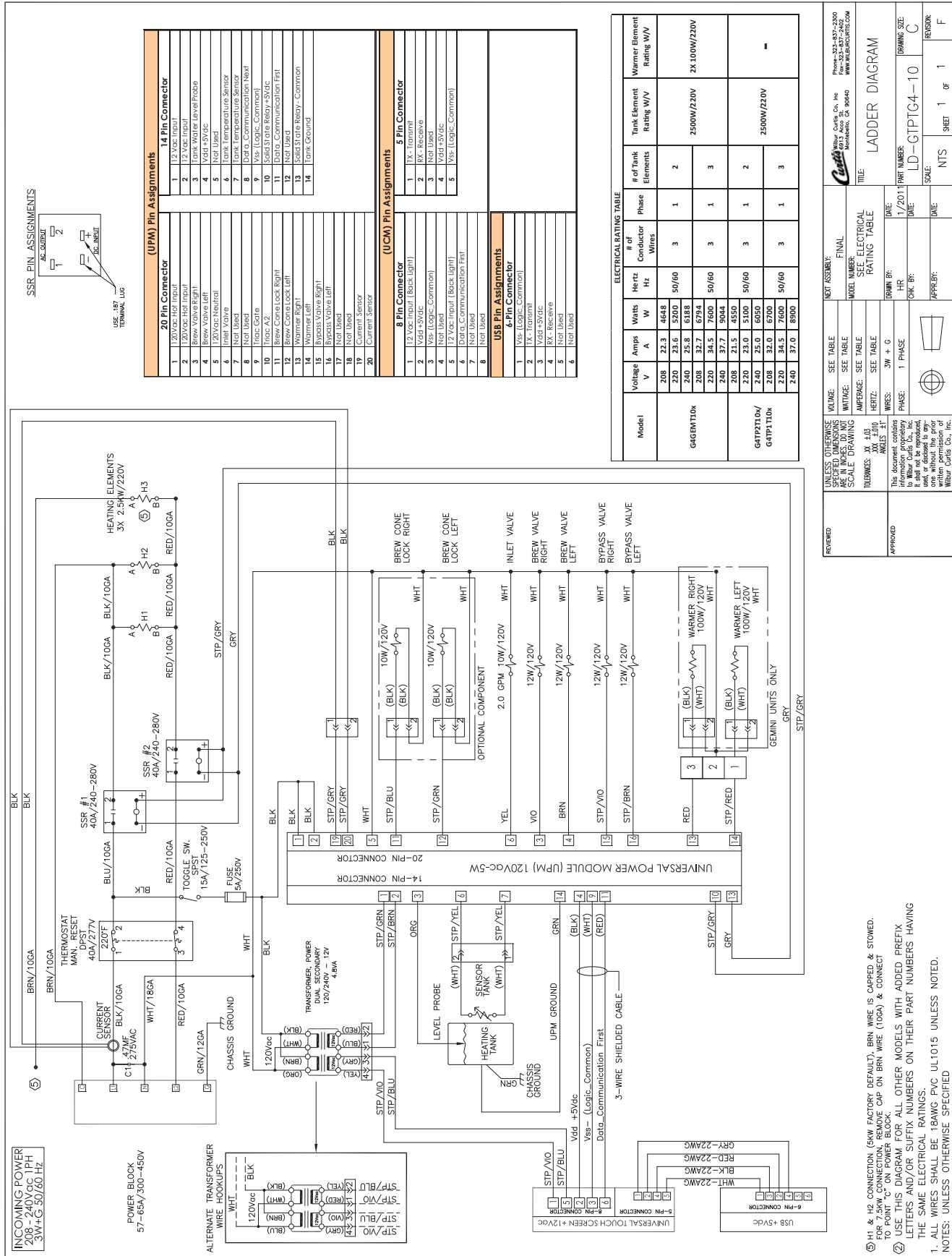


Model	Voltage V	Amps A	Watts W	Hertz Hz	# of Conductor Wires	Phase	# of Tank Elements	Tank Element Rating W/V	Warmer Element Rating W/V
(G4)GEMS52	120	9.2	1100	50/60	(2)	1	2	1150W/120V	(1X) 100W/120V
(G4)GEMS63	120	9.2	1100	50/60	(2)	1	2	1600W/120V	(1X) 100W/120V
(G4)TP2552	120	15	1800	50/60	(2)	1	2	1450W/120V	-
(G4)TP2553	120	15	1800	50/60	(2)	1	2	1600W/120V	-
(G4)TP2563	120	15	1800	50/60	(2)	1	2	1450W/120V	-
(G4)TP1552	120	12.5	1500	50/60	(2)	1	2	1450W/120V	-
(G4)TP1563	120	12.5	1500	50/60	(2)	1	2	1600W/120V	-

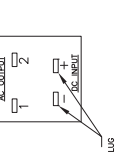
- ③ 12GA WHITE WIRE IS ONLY USED WHEN UNIT IS TO BE WIRED IN THE 120Vdc CONFIGURATION.
 - ④ USE THIS DIAGRAM FOR ALL OTHER MODELS WITH ADDED PREFIX LETTERS AND/OR SUFFIX NUMBERS ON THEIR PART NUMBERS HAVING THE SAME ELECTRICAL RATINGS.
 - ① ALL WIRES SHALL BE 18AWG UNLESS NOTED.
- NOTES: UNLESS OTHERWISE SPECIFIED

TITLE:	LADDER DIAGRAM
PART NUMBER:	LD-GTPSG4-63
REVISION:	L

G4GEMT10x, G4TP[X]1T10x, G4TP[X]2T10x



SSR PIN ASSIGNMENTS



(UPM) Pin Assignments

20 Pin Connector		14 Pin Connector	
1	20Vdc Input	1	12 Vdc Input
2	12Vdc Input	2	12 Vdc Input
3	Brew Valve Right	3	Tank Water Level Probe
4	Brew Valve Left	4	VdD +5Vdc
5	Inlet Valve	5	Not Used
6	120Vdc Neutral	6	Tank Temperature Sensor
7	Not Used	7	Tank Temperature Sensor
8	Not Used	8	Def G. Communication Next
9	Trnc. Gnd	9	Vss (Logic Common)
10	Trnc. A	10	120Vdc Relay +5Vdc
11	Brew Cone Lock Right	11	Def G. Communication Next
12	Brew Cone Lock Left	12	Not Used
13	Warmer Right	13	Solid State Relay - Common
14	Warmer Left	14	Tank Ground
15	Bypass Valve Right		
16	Bypass Valve Left		
17	Not Used		
18	Not Used		
19	Current Sensor		
20	Current Sensor		

(UCM) Pin Assignments

8 Pin Connector		5 Pin Connector	
1	12 Vdc Input (Back Light)	1	TX - Transmit
2	VdD +5Vdc	2	RX - Receive
3	Vss (Logic Common)	3	Not Used
4	Not Used	4	VdD +5Vdc
5	Data Communication Next	5	Vss (Logic Common)
6	Not Used		
7	Not Used		
8	Not Used		

USB Pin Assignments

6 Pin Connector	
1	Vss (Logic Common)
2	TX - Transmit
3	VdD +5Vdc
4	RX - Receive
5	Not Used
6	Not Used

ELECTRICAL RATING TABLE

Model	Voltage V	Amps A	Watts W	Hertz Hz	# of Conductor Wires	Phase	# of Tank Elements	Tank Element Rating W/V	Warmer Element Rating W/V
G4GEMT10x	208	22.3	4648	50/60	3	1	2	2500W/220V	2X 100W/220V
	240	23.6	5200	50/60	3	1	2		
	240	25.8	6188	50/60	3	1	2		
	208	32.7	6794	50/60	3	1	3		
	220	34.5	7600	50/60	3	1	3		
	240	37.7	9044	50/60	3	1	3		
G4TP1T10x/ G4TP2T10x	208	21.5	4550	50/60	3	1	2	2500W/220V	-
	220	23.0	5100	50/60	3	1	2		
	240	25.0	6050	50/60	3	1	2		
	208	32.0	6700	50/60	3	1	3		
	220	34.5	7600	50/60	3	1	3		
	240	37.0	8900	50/60	3	1	3		

UNLESS OTHERWISE SPECIFIED, DIMENSIONS ARE IN INCHES. DIMENSIONS IN PARENTHESES ARE ALTERNATE DIMENSIONS. SCALE: DRAWING: MODEL NUMBER: PART NUMBER: DATE: 1/2011

REVIEWED: _____

APPROVED: _____

THIS DOCUMENT CONTAINS PROPRIETARY INFORMATION OF WILBUR CORP. CO., INC. IT SHALL NOT BE REPRODUCED, COPIED, OR TRANSMITTED IN ANY FORM OR BY ANY MEANS WITHOUT THE PRIOR WRITTEN PERMISSION OF WILBUR CORP. CO., INC.

WILBUR CORP. CO., INC.
1000 WILBUR WAY
MONTICELLO, CA 95065
TEL: 530-437-2500
FAX: 530-437-2422
WWW.WILBURCORP.COM

TITLE: LADDER DIAGRAM

DATE: 1/2011

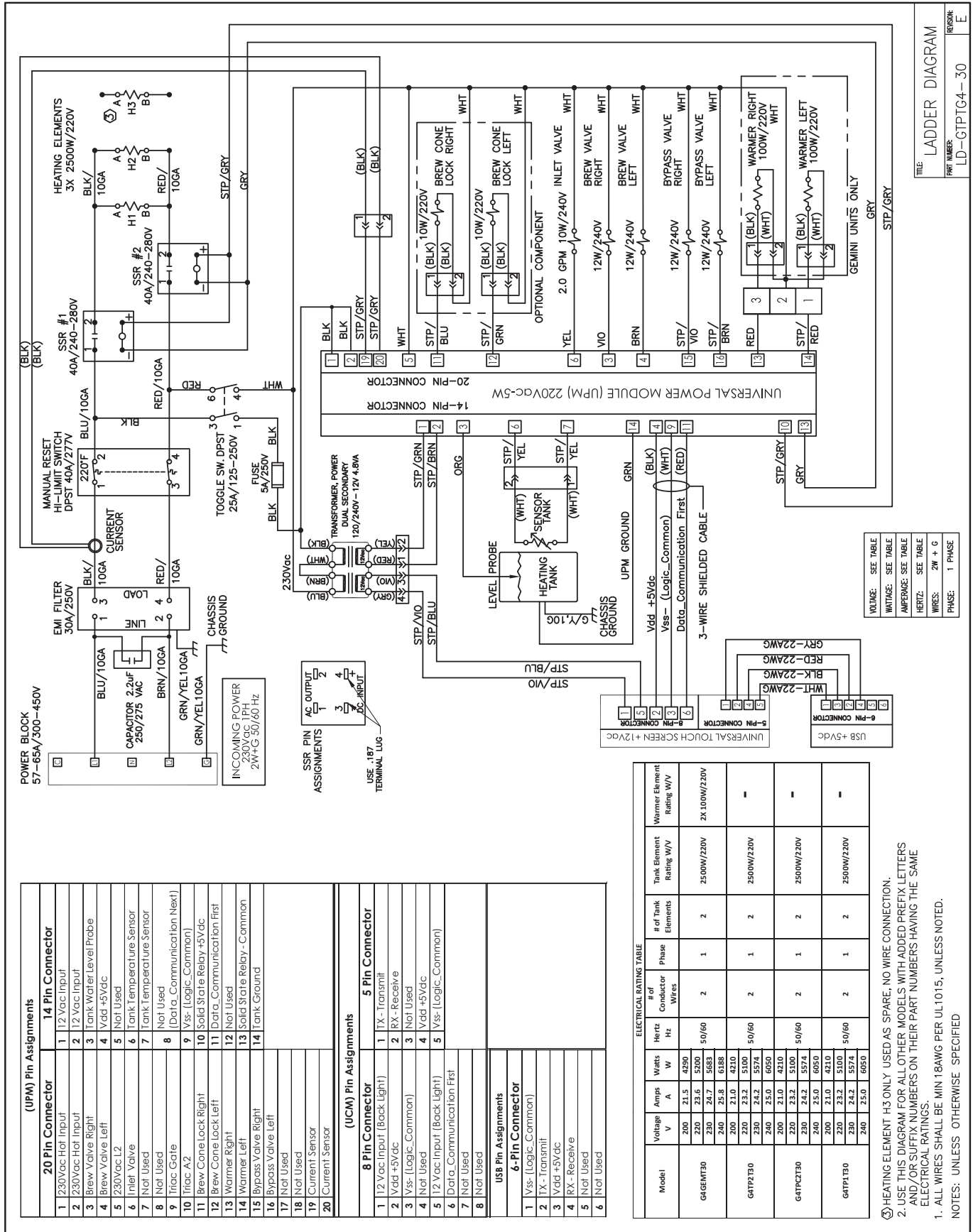
SCALE: NTS

SHEET 1 OF 1

REVISION: F

- ⑤ H1, H2 CONNECTION (5W FACTORY DEFAULT). BRN WIRE IS CAPPED & STOWED. TO POINT TO POWER BLOCK.
- ⑥ USE THIS DIAGRAM FOR ALL OTHER MODELS WITH ADDED PREFIX LETTERS AND/OR SUFFIX NUMBERS ON THEIR PART NUMBERS HAVING THE SAME ELECTRICAL RATINGS.
- ⑦ ALL WIRES SHALL BE 18AWG PVC UL1015 UNLESS NOTED. NOTES: UNLESS OTHERWISE SPECIFIED

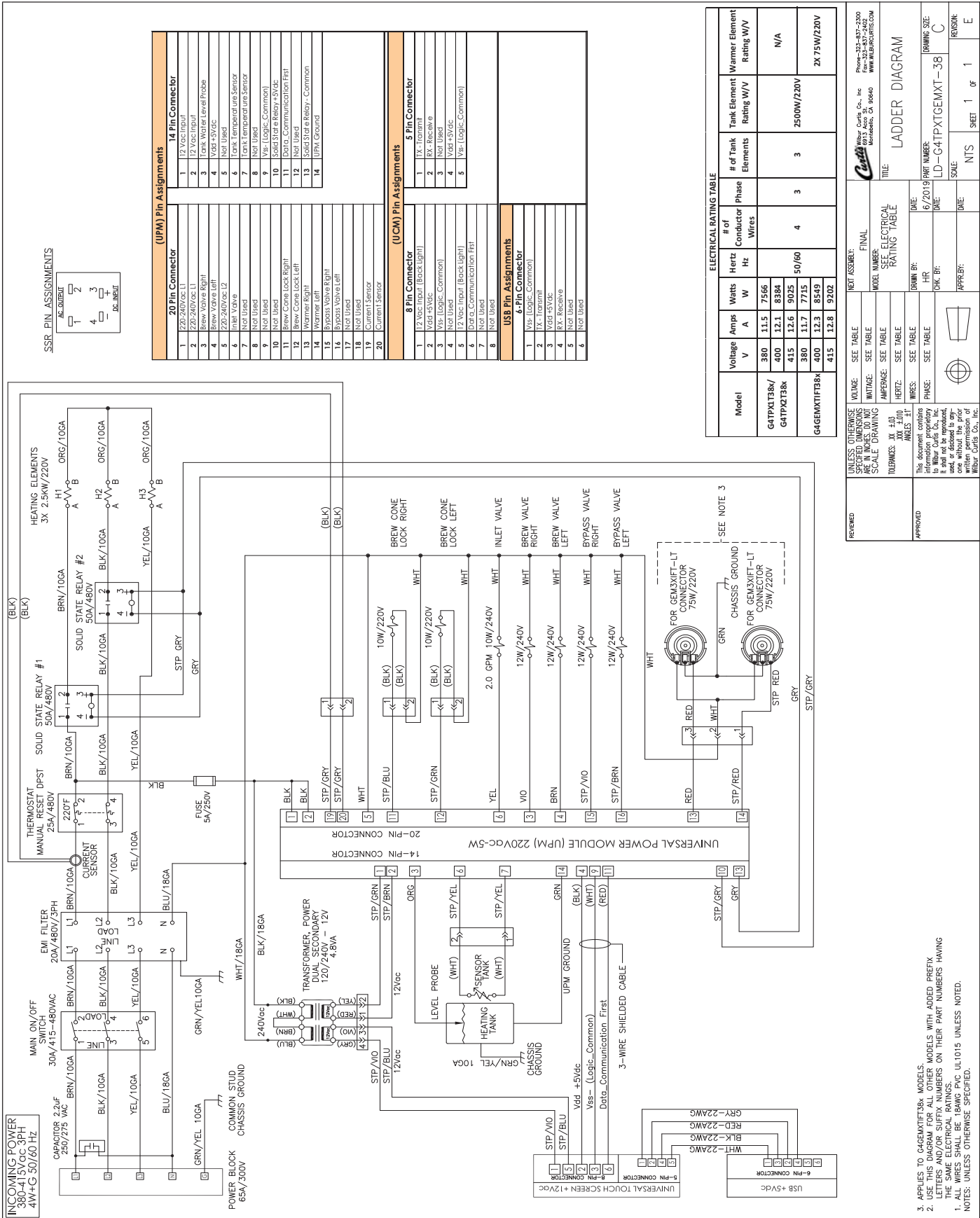
G4GEMT30x, G4TP[X]1T30x, G4TP[X]2T30x



② HEATING ELEMENT H3 ONLY. USED AS SPARE. NO WIRE CONNECTION.
 2. USE THIS DIAGRAM FOR ALL OTHER MODELS WITH ADDED PREFIX LETTERS AND/OR SUFFIX NUMBERS ON THEIR PART NUMBERS HAVING THE SAME ELECTRICAL RATINGS.
 1. ALL WIRES SHALL BE MIN 18AWG PER UL1015, UNLESS NOTED.
 NOTES: UNLESS OTHERWISE SPECIFIED

TITLE: LADDER DIAGRAM
 PART NUMBER: LD-GTPTG4-30
 REGION: E

G4GEMXTIFT38, G4TPX1T38, G4TPX2T38



SSR PIN ASSIGNMENTS



(UPM) Pin Assignments

Pin	Assignment
1	230-240Vdc L1
2	12 Vac Input
3	230-240Vdc L2
4	12 Vac Input
5	230-240Vdc L1
6	12 Vac Input
7	12 Vac Input
8	Not Used
9	Not Used
10	Not Used
11	Not Used
12	Not Used
13	Not Used
14	UPM Ground

(UCM) Pin Assignments

Pin	Assignment
1	TX - Transmit
2	RX - Receive
3	Not Used
4	Not Used
5	Not Used
6	Not Used
7	Not Used
8	Not Used
9	Not Used
10	Not Used
11	Not Used
12	Not Used
13	Not Used
14	Not Used
15	Not Used
16	Not Used
17	Not Used
18	Not Used
19	Current Sensor
20	Current Sensor

USB Pin Assignments

Pin	Assignment
1	Vcc +5Vdc
2	D-
3	D+
4	GND
5	Not Used
6	Not Used

ELECTRICAL RATING TABLE

Model	Voltage V	Amps A	Watts W	Hertz Hz	# of Wires	Phase	# of Tank Elements	Tank Element Rating W/V	Warmer Element Rating W/V
G4TPX1T38/	380	11.5	7566	50/60	4	3	3	2500W/220V	N/A
G4TPX2T38	415	12.1	8384	50/60	4	3	3	2500W/220V	N/A
G4GEMXTIF38	380	11.7	7715	50/60	4	3	3	2500W/220V	N/A
	415	12.3	8549	50/60	4	3	3	2500W/220V	N/A
	415	12.8	9202	50/60	4	3	3	2500W/220V	N/A

REVISION

UNLESS OTHERWISE SPECIFIED, DIMENSIONS ARE IN INCHES. DO NOT SCALE DRAWING.

INCHES: XX.XX
MILLIMETERS: X.X

THIS DOCUMENT CONTAINS INFORMATION PROPRIETARY TO WILLAR CURTIS CO., INC. IT IS TO BE KEPT SECRET AND IS NOT TO BE REPRODUCED OR TRANSMITTED IN ANY FORM OR BY ANY MEANS WITHOUT THE PRIOR WRITTEN PERMISSION OF WILLAR CURTIS CO., INC.

DATE: 6/20/19
DRAWN BY: HR
CHK. BY:
APPR. BY:

SCALE: NTS
SHEET 1 of 1

REASON: E

WILLAR CURTIS CO., INC.
Phone: 303-437-2300
www.willarcutis.com
Mankato, MN 55040

TITLE: LADDER DIAGRAM
PART NUMBER: LD-G4TPXGEMXT-38
DRAWING SIZE: C

- APPLIES TO G4GEMXTIFT38 MODELS.
- USE THIS DIAGRAM FOR ALL OTHER MODELS WITH ADDED PREFIX LETTERS AND/OR SUFFIX NUMBERS ON THEIR PART NUMBERS HAVING THE SAME ELECTRICAL RATINGS.
- ALL WIRES SHALL BE 18AWG PVC UL1015 UNLESS NOTED. NOTES: UNLESS OTHERWISE SPECIFIED.

**WARNING:**

Electric Shock Hazard - the following procedures are to be performed only by a qualified service technician. Turn off power when replacing components. Neither Wilbur Curtis Co., Inc. nor the seller can be held responsible for the interpretation of this information, or any liability in connection with its use.

Scald and Burn Hazard - keep body parts clear of hot surfaces during troubleshooting.



IMPORTANT: If it is necessary to replace the G4 universal power module (UPM), always check all inlet, dump (brew), bypass* and dilution* valve coils for a short and replace the valve as necessary, before replacing the module. See the **Valve Test Procedure**, below to test for defective valves. *Some units do not have this function, see the ELECTRICAL SCHEMATIC.

Troubleshooting Guidelines

- If an error message appears on the display, consult the ERROR CODES section before troubleshooting.
- A brewer that is not level may not function properly. Make sure the brewer is properly leveled before proceeding.
- This troubleshooting guide identifies some, but not all, of the possible causes for common problems that can occur.
- Use this troubleshooting guide along with the appropriate ELECTRICAL SCHEMATIC.

Valve Test Procedure

Use a digital multi-meter to measure the resistance of valve coils.

Measure the resistance across the valve coil terminals with the wiring harness disconnected. Reverse the meter leads on the terminals and measure the resistance in the opposite direction. A resistance of less than 100 ohms, in either direction, indicates a shorted coil. The valve must be replaced.

If a shorted coil is not detected, test for an open coil:

- 1 Reconnect the valve terminals to the wiring harness.
- 2 Power up the brewer and test the valve using the diagnostics in section TG11.

Water Not Hot Enough

- 1 If the water heats, but is not hot enough, first check for the correct temperature setting on the control panel. Reprogram as necessary.
- 2 If the temperature setting is OK, and the actual water temperature does not match setting on the control panel, replace the temperature sensor.

Water Heats More Slowly Than Usual

- 1 Check for power across the terminals of the heating element(s). If power is being supplied, disconnect the heating element(s) and check for continuity. Replace a heating element if the resistance is too high (nominal resistance is 13 Ohms).
- 2 If there is no power to the heating element(s), check the wiring to any element that does not have the proper voltage across it. Also check for corroded connections anywhere between the power cord and the heating element(s).

Dispenser Overflows During Brewing

- 1 Check to make sure the control module (UCM) brew, bypass* and dilution* levels are set properly.
- 2 Check for a missing spray head. Replace as needed.
- 3 Make sure the dispenser is empty before starting the brew cycle. If not, empty it before brewing.

*Some units do not have this function, see the ELECTRICAL SCHEMATIC.

No Power - Display Not Lit

- 1 Make sure the circuit breaker to the circuit supplying power to the brewer is not tripped and is turned on.
- 2 On brewers with a power plug, make sure it is connected to the power receptacle.
- 3 Make sure that the main power toggle switch on the back panel is turned ON.
- 4 Verify that all wires from the power cord are properly connected inside the unit. Check to make sure the wires are not burned/overheated. Check chassis ground.
- 5 Check the low voltage input to the universal control module (UCM) from the transformer (see the ELECTRICAL SCHEMATIC). If there is power into the UCM, but the display is blank, the UCM is probably bad.
- 6 If there is no power into the UCM, trace the circuit back (using the wiring diagram) to the power cord to find out where power is lost. If there is power into the thermostat reset switch, but not out, see step 7.
- 7 If there is power into the thermostat reset switch, but not out, check to make sure that the water tank is not empty. If the tank is empty, the reset switch has probably opened up due to a low water level, go to **Water Tank Does Not Fill**. If there is water in the tank, but no power out, push in on the reset switch button to see if it restores power. If power is restored, check to make sure that the switch is not opening up at the wrong temperature (the switch should not open up at normal water temperatures). If there is still no power through the switch after pushing the button, replace the thermostat reset switch.

Brewer Does Not Start When Brew Button is Pressed

- 1 If **Brewing** appears on the display, check for faulty wiring and connections between the universal power module (UPM) and the valves.
- 2 If **Brewing** does not appear on the display, check for a faulty universal control module (UCM) or universal power module (UPM).

Sensor Error Message

This error indicates a malfunction (open circuit) in the temperature sensor system. Once the malfunction is corrected, the error message must be cleared. To reset the brewer and return to normal operation, turn the toggle switch on the back of the brewer to the OFF position for 5 seconds, then back ON.

- 1 Check the resistance across the leads of the temperature sensor while it is disconnected from the universal power module (UPM). If an open circuit is measured (resistance above 200 k), replace the sensor.
- 2 If the sensor resistance is less than 200 k check the sensor wires for corrosion and reconnect them to the UPM. Afterward, if the error message comes back after resetting the control and power modules, replace the UPM.

Water Tank Overfills

- 1 Turn the toggle switch on the back of the brewer ON and OFF. If water continues to flow when the switch is in both positions, replace the inlet valve.
- 2 If water stop flowing to the water tank when the toggle switch is turned OFF and continues when the switch is turned back ON, remove the orange wire from the water probe on the tank. While power is ON, short the end of the orange wire to the metal surface on the outside of the tank. If the water tank stops filling when the orange wire is shorted to the tank, check for a corroded connection at the water probe.
- 3 If water does not stop flowing when the orange wire is shorted to the tank, check the tank ground connection and the continuity of the orange wire connecting to the universal power module (UPM). If both are OK, replace the UPM.

Water Tank Does Not Fill



IMPORTANT: No water or low water in the tank can cause the tank to overheat, resulting in the thermostat reset switch opening. If after correcting a tank fill problem there is no power to the control panel, push the reset switch button to reset.

- 1 Check to make sure the water supply is turned on. Check for a plugged water supply line or plugged inlet valve.
- 2 If there are no plugs in the water supply line, check for power across the inlet valve terminals. If power is being supplied, but there is no water flow, replace the inlet valve.
- 3 If power is not being supplied to the inlet valve, check the wires between the universal power module (UPM) and the inlet valve. Check for corroded connections.
- 4 If the wiring between the UPM and the inlet valve is OK, but there is no power to the inlet valve, remove the orange wire from the water tank probe. If the water tank starts to fill, replace the water probe. If the water tank does not start to fill, replace the UPM.

Coffee/Tea Too Strong

See *Dispenser Not Filled To Normal Level During Brewing*.

Dispenser Not Filled To Normal Level During Brewing

- 1 Check to make sure that the universal control module (UCM) brew, bypass* and dilution* levels are set properly.
- 2 Check to make sure that the flow rate and water pressure from the water supply line meet the minimum specifications for the brewer. See the SPECIFICATIONS section.
- 3 Check to make sure that the spray head is clean and free of debris. Clean or replace as needed. Also make sure that the spray head is correctly aligned and that the tubing is routed properly to allow for maximum water flow (no kinks).
- 4 Remove the brew basket and place a large container under the dump (brew) and dilution outlet points. Run a brew cycle and confirm that the dump (brew) valve, bypass* valve and dilution* valve open during the brew cycle. Check for flow through any exit point that is slow or non-existent. Not all valves open at the same time. If flow is restricted, check for obstructions in the related tubing or valve. If there are no obstructions, but flow through one particular valve is slow, it can be assumed that the particular valve is not opening all the way and should be replaced. If water does not flow at all through a particular valve during the brew cycle, check to make sure that power is being supplied to the valve in question. Replace any valve that is not opening when power is applied to the terminals. If power is not being supplied to the valve, check the wiring between the valve and the universal power module (UPM). If the wiring is OK, replace the UPM.

*Some units do not have this function, see the ELECTRICAL SCHEMATIC.

Dispenser Overflows All Of The Time

- 1 Check to see if water continues to flow from the spray head, the bypass* outlet or the dilution* spout when the toggle switch is turned OFF. Replace any valve that is stuck open.
*Some units do not have this function, see the ELECTRICAL SCHEMATIC.
- 2 If one or more of the valves mentioned in step 1 turns on when the toggle switch on the back is ON and turns off when the switch is OFF, replace the universal power module (UPM).

No Water/Tea Flows From Brewer During Brewing

- 1 Make sure that the water supply is turned on.
- 2 Check to see if the water in the tank is level with the water tank probe? If not, see *Water Tank Does Not Fill*.
- 3 If the water tank is full, the water is hot and power is on, but NO water flows during a brew cycle, the problem is usually a bad universal power module (UPM). Run a brew cycle and check for power from the UPM to the dump (brew), bypass* and dilution* valves. If there is no power output, replace the UPM.
*Some units do not have this function, see the ELECTRICAL SCHEMATIC.

Low Water Flow Warning

See *Water Level Error Message*.

Water Level Error Message

Water level fill error or overflow. This error message occurs when the inlet valve solenoid has been on too long during initial fill or tank refill, See the ERROR CODES section for the maximum times allowed. Once the malfunction is corrected, the error message must be cleared. To reset the unit and return to normal operation, turn the toggle switch on the back of the brewer to the OFF position for 5 seconds, then back ON.

- 1 Check to make sure that the flow rate from the water supply line meets the minimum flow rate specifications for the brewer. Also check the water pressure. See the SPECIFICATIONS section.
- 2 Check for blockage at the inlet valve inlet or outlet. Check for blockage in the tubing between the inlet valve and the water tank.
- 3 Check the water probe wire for an open condition or corroded connections.
- 4 If the probe connections are OK, cycle power to the unit by turning the rear toggle switch OFF, then ON. Check to see if power is applied to the inlet valve terminals. If power is applied to the terminals, but there is not water flow, replace the inlet valve.
- 5 Check for power from the universal power module (UPM) to the inlet valve. If the wiring is OK, replace the UPM.

“Internal Error 1” Message on Display

Check the wiring harness that connects from pins 4, 9 and 11 of the 14-pin connector on the universal power module (UPM) to pins 2, 3 and 6 of the 8-pin connector on the universal control module (UCM).

“Internal Error 2” Message on Display

The universal power module (UPM) and universal control module (UCM) have a mismatch in their settings. A firmware update is needed. See *PROGRAMMING GUIDE*.

Water Does Not Heat At All

- Check to see if the water level in the tank is in contact with the water level probe. If not, see *Tank Does Not Fill*. The water will not heat unless it is in contact with the probe.
- If the water heats, but is not hot enough, see *Water Not Hot Enough*.
- If **Ready to brew** appears on the display, but the water is not hot, check the resistance across the leads of the temperature sensor. If the resistance is less than 10 k and the water is not hot, replace the temperature sensor. If the sensor resistance is above 10 k when the water is cool, replace the universal power module (UPM).

If **Heating...** appears on the display, but the water is not hot, follow the steps below. The following steps are performed with the rear toggle switch in the ON position.

- 1 Check for power across the terminals of the heating element(s). If power is being supplied, remove the wires and check for an open heating element.
- 2 If there is no power to the element(s), trace the circuit back (using the ELECTRICAL SCHEMATIC) to the power cord to find out where power is lost. If there is power into the solid state relay(s) (SSRs) but not out, see the following step. On units having two SSRs, be sure to check both.
- 3 If there is power into a SSR, but not out, check for 5 Vdc (nominal*) across the + and - pins of the SSR(s). If there is 5 Vdc across the + and - pins of the SSR(s), but no (or low) output voltage at a SSR output terminal, replace the SSR. If 5 Vdc is not being supplied from the UPM, but **Heating...** appears on the display, check the wiring from the UPM to the SSR(s). If the wiring is OK, replace the UPM.

Water Too Hot (Boiling or Excessive Steaming)



IMPORTANT: Before proceeding, make sure that the control panel temperature is adjusted to compensate for higher elevations. The factory setting is 200°F. Reduce the temperature setting two degrees for every 1000 feet of elevation above 4000 feet.

- 1 If **Over Temp Sensor** or **Ready to Brew** appears on the display and the water is too hot, go to *Over Temp Sensor Error Message*.
- 2 If the display reads **Heating** constantly, first check to make sure that the temperature sensor is attached tightly to the tank and that heat sink compound was used. A properly mounted sensor should have a resistance of around 7 k when the water is hot. If not, replace the sensor.
- 3 Check to see if the universal power module (UPM) constantly has +5 Vdc (nominal) output to the solid state relay (SSR), regardless of the resistance of the temperature sensor. If so, the UPM is probably bad.
- 4 If the UPM is working properly, check for a shorted SSR.

Over Temp Sensor Error Message

This error message indicates that the universal control module (UCM) has detected a water overheating problem. The universal power module (UPM) is reading a water temperature in the tank above 210°F. If the water temperature is too hot, but **Heating...** appears on the display, see *Water Too Hot*. Once the malfunction causing the error is corrected, the error message must be cleared. To reset the brewer and return to normal operation, turn the toggle switch on the back of the brewer to the OFF position for 5 seconds, then back on.

- 1 Check for 5 Vdc (nominal) across the + and - pins of the solid state relay (SSRs). If no power is applied to the SSR and the heating elements are always on, replace the SSR. On units having two SSRs, check both.
- 2 Turn off power to the brewer and allow the water tank to cool. Once cool, turn power back on while monitoring the voltage across the + and - pins of the SSR(s). During normal operation, the voltage should be 5 Vdc, until the water is hot, then drop to below 1 Vdc. The universal power module (UPM) should be replaced if the voltage reads 5 Vdc constantly even though **Ready to brew** or **Over Temp Sensor** appears on the display.
- 3 If the UPM is operating normally, check for a false over-temp error caused by the temperature sensor. Check the resistance across the leads of the temperature sensor. If the resistance is less than 10 k when the water is cool, replace the temperature sensor.

Overview

The G4 control module diagnostics can be used to detect electrical circuit failures in the brewer. When a circuit failure is identified, the individual components and wiring in the circuit must be checked to determine the exact cause of the failure using the ELECTRICAL SCHEMATIC. If a failure is not detected using the diagnostics, troubleshoot the problem according to the symptoms listed in other sections of this TROUBLESHOOTING GUIDE.

The diagnostics can also be used to help diagnose certain mechanical failures. See the following steps.

Using the Diagnostics

- 1 Enter programming mode by tapping the (white) Curtis logo on the touchscreen five (5) times.
- 2 Enter the access code, then press **OK** (the default code is 1 2 3 4).
- 3 The **MAIN MENU** screen will appear. Press **Control Settings**.
- 4 Press **Diagnostics**. When prompted, place an empty container under the brew basket, then press **OK**.
- 5 Press a button to test the desired circuit or **Auto Test** to test all circuits. If a button is highlighted green the circuit has passed the (electrical) test. If the button is highlighted red, the circuit has failed the test.

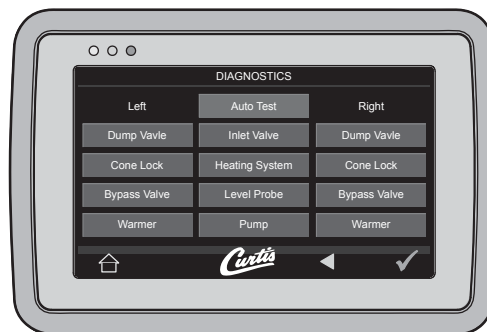
If the circuit tested fails, check to make sure that power is being supplied to the component during normal operation. If power is supplied, and it does not operate, replace the component. If power is not being supplied, check the wiring and the UPM.

If a valve circuit passes the test, check for a mechanical failure by listening for the valve to “click” when the test button is pressed. To check for a failed pump, run a brew cycle and check for fluid flow through the pump.

Display view varies with model



Curtis logo



Diagnostics Screen

Button layout varies based on model

Warning Messages - Allows Brewer to Continue Brewing

MESSAGE DISPLAY	WARNING DESCRIPTION	CAUSE
Maintenance Required	Maintenance Required	Brew count "Gallons Since Reset" exceeds programmed preventative maintenance period.
Low Water Flow Warning	Low Water Flow	If the Inlet valve remains on longer than XX seconds (during the brew cycle only) and repeats TWICE during that brew cycle. It shall clear upon the next brew and if the same low flow exists again, it will re-appear. XX = Alpha 20 secs; Gem/TP Twin 40 secs; Gem/TP Single 30 secs.
Internal Error 2	UPM-UCM have a mismatch in their settings.	UPM-UCM have a mismatch in their settings, firmware update needed.

Error Messages - Brewer Will Stop Brewing

MESSAGE DISPLAY	ERROR DESCRIPTION	CAUSE
Water Level Error	Fill run error/Overflow	The water inlet valve has either been open for more than 10 minutes on the initial tank fill or has been open for 120 seconds on large brewers and 30 seconds on CGC, Seraphim® tea, or combo brewers in normal operation.
Sensor Error	Open Sensor	Break in the temperature thermistor circuit or short circuit.
Over Temp. Error*	Excess Temperature	The sensor is reading that the temperature in the heating tank has risen above 210°F, or the sensor has shorted to ground.
Internal Error 1	UPM-UCM Communication	Break in the UPM-UCM communication circuit.

* This error is disabled on CGC and Seraphim® models.

Configuration Error Message - Brewer Will Not Function Properly

MESSAGE DISPLAY	ERROR DESCRIPTION	CAUSE
Configuration Error	UPM software revision does not support the model selected.	The universal power module (UPM) has an old software version and is not compatible with the brewer model in which it has been installed.

Wilbur Curtis Co., Inc. certifies that its products are free from defects in material and workmanship under normal use. The following limited warranties and conditions apply:

- 3 years, parts and labor, from original date of purchase on digital control boards
- 2 years, parts, from original date of purchase on all other electrical components, fittings and tubing
- 1 year, labor, from original date of purchase on all other electrical components, fittings and tubing

Additionally, Wilbur Curtis Co., Inc. warrants its grinding burrs for four (4) years from the date of purchase. Stainless steel components are warranted for two (2) years from the date of purchase against leaking or pitting. Replacement parts are warranted for ninety (90) days from the date of purchase or for the remainder of the limited warranty period of the equipment in which the component is installed.

All in-warranty service calls must have prior authorization. For authorization, call the Technical Support Department at 800-995-0417. Additional conditions may apply. Go to www.wilburcurtis.com to view the full product warranty information.

CONDITIONS & EXCEPTIONS

The warranty covers original equipment at time of purchase only. Wilbur Curtis Co., Inc., assumes no responsibility for substitute replacement parts installed on Curtis equipment that have not been purchased from Wilbur Curtis Co., Inc. Wilbur Curtis Co., Inc. will not accept any responsibility if the following conditions are not met. The warranty does not cover:

- **Adjustments and cleaning:** *The resetting of safety thermostats and circuit breakers, programming and temperature adjustments are the responsibility of the equipment owner. The owner is responsible for proper cleaning and regular maintenance of this equipment.*
- **Replacement of items subject to normal use and wear:** *This shall include, but is not limited to, spray heads, faucets, light bulbs, shear disks, "O" rings, gaskets, silicone tubing, silicone elbows, canister assemblies, whipper chambers and plates, mixing bowls, agitation assemblies and whipper propellers.*

The warranty is void under the following circumstances:

- **Improper operation of equipment:** *The equipment must be used for its designed and intended purpose and function.*
- **Improper installation of equipment:** *This equipment must be installed by a professional technician and must comply with all local electrical, mechanical and plumbing codes.*
- **Improper voltage:** *Equipment must be installed at the voltage stated on the serial plate supplied with this equipment.*
- **Improper water supply:** *This includes, but is not limited to, excessive or low water pressure and inadequate or fluctuating water flow rate.*
- **Damaged in transit:** *Equipment damaged in transit is the responsibility of the freight company and a claim should be made with the carrier.*
- **Abuse or neglect (including failure to periodically clean or remove lime accumulations):** *The manufacturer is not responsible for variation in equipment operation due to excessive lime or local water conditions. The equipment must be maintained according to the manufacturer's recommendations.*
- **Unauthorized repair or modification:** *This equipment must be serviced only by qualified service technicians, using factory specified parts to factory specifications.*
- **Modified/Missing Serial Tag:** *The serial number label (tag) must not be defaced or removed.*

Repairs and/or Replacements are subject to Curtis' decision that the workmanship or parts were faulty and the defects showed up under normal use. All labor shall be performed during regular working hours. Overtime charges are the responsibility of the owner. Charges incurred by delays, waiting time, or operating restrictions that hinder the service technician's ability to perform service is the responsibility of the owner of the equipment. This includes institutional and correctional facilities. Wilbur Curtis Co., Inc. will allow up to 100 miles, round trip, per in-warranty service call.

Return Merchandise Authorization (RMA): All claims under this warranty must be submitted to the Wilbur Curtis Technical Support Department prior to performing any repair work or return of this equipment to the factory. **All returned equipment must be properly re-packaged in the original carton and received by Curtis within 45 days following the issuance of a RMA.** No units will be accepted if they are damaged in transit due to improper packaging. **NO UNITS OR PARTS WILL BE ACCEPTED WITHOUT A RETURN MERCHANDISE AUTHORIZATION (RMA). THE RMA NUMBER MUST BE MARKED ON THE CARTON OR SHIPPING LABEL. All warranty claims must be submitted within 60 days of service. Invoices will not be processed or accepted without a RMA number. Any defective parts must be returned in order for warranty invoices to be processed and approved.** All in-warranty service calls must be performed by an authorized service agent. Call the Wilbur Curtis Technical Support Department to find an agent near you.