

Key Features

- Multiple Beverage Options – Allows you to brew Coffee, Iced Coffee and Iced Tea from one model.
- Generation Four (G4) Digital Control Module – Large, 4.3” touchscreen. Icon-driven interface streamlines operation. Provides precise control of all critical brewing functions.
- On-Screen Instructions – Provides fast, intuitive training; reduces service calls.
- Built-in Self Diagnostic System – Includes real-time feedback of the brewing process and energy saving mode.
- Industry’s most effective mineral tolerant design.
- Encapsulated control boards – Protect against steam, water and impact.

Specifications (Selected Models)

Electrical Supply Requirements

MODEL #	DESCRIPTION	PHASE	VOLTS	AMPS	HEATING CONFIG	WIRE	WATTS	HERTZ	GAL/HR
G4CBHS	Single, Combo High Volume Brewer	1 PH	120/220 V	15.0/12.7 A	2 X 1600 W	2W/3W + G	1800/2800 W	50/60 Hz	12.0
G4CBHT	Twin, Combo High Volume Brewer	1 PH	220 V	23.0/34.0 A	3 X 2500 W	3W + G	5100/7500 W	50/60 Hz	21.0

Dimensions

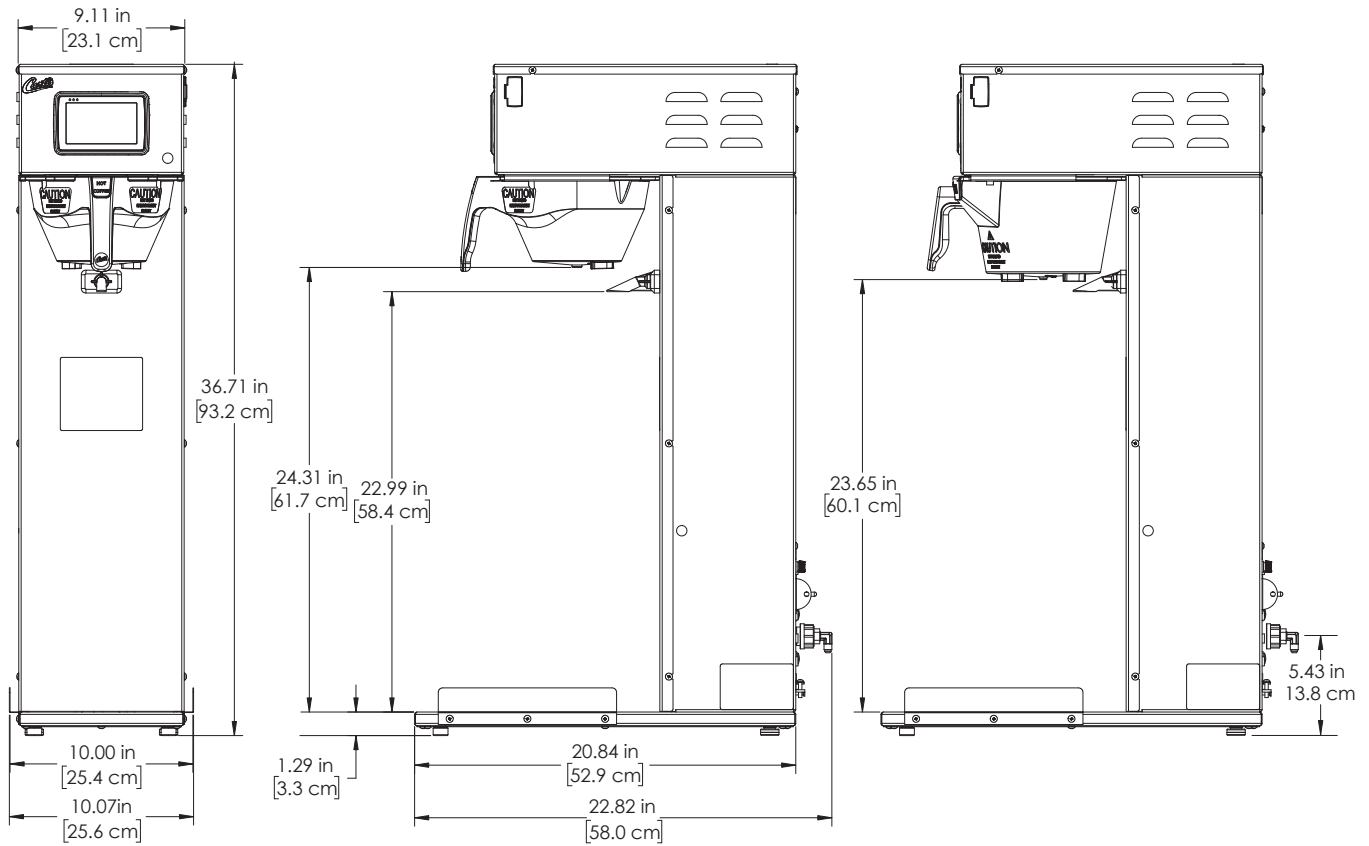
Water Supply Requirements

MODEL #	HEIGHT	WIDTH	DEPTH	SHIP WEIGHT	SHIP CUBE	WATER CONNECTOR	WATER PRESSURE	MIN. FLOW RATE
G4CBHS	36.71”	10.07”	22.82”	47.0 lbs	9.27 cu ft	1/4” flare	20 - 90 psi	1.0 gpm
G4CBHT	36.71”	18.11”	22.82”	76.0 lbs	16.04 cu ft	1/4” flare	20 - 90 psi	2.0 gpm

Following are the factory default settings for the combination brewer:

- Brew Temperature = 200°F
- Minimum Brew Temperature = 195°F
- Water Bypass (coffee) = On LARGE and MEDIUM brew only
- Brew Volume (coffee) = Large-Medium-Small
- Brew Volume (tea) = Large-Small
- Energy Save Mode = Off

G4CBHS - G4 Single High Volume Combo Brewer



G4CBHT - G4 Twin High Volume Combo Brewer

