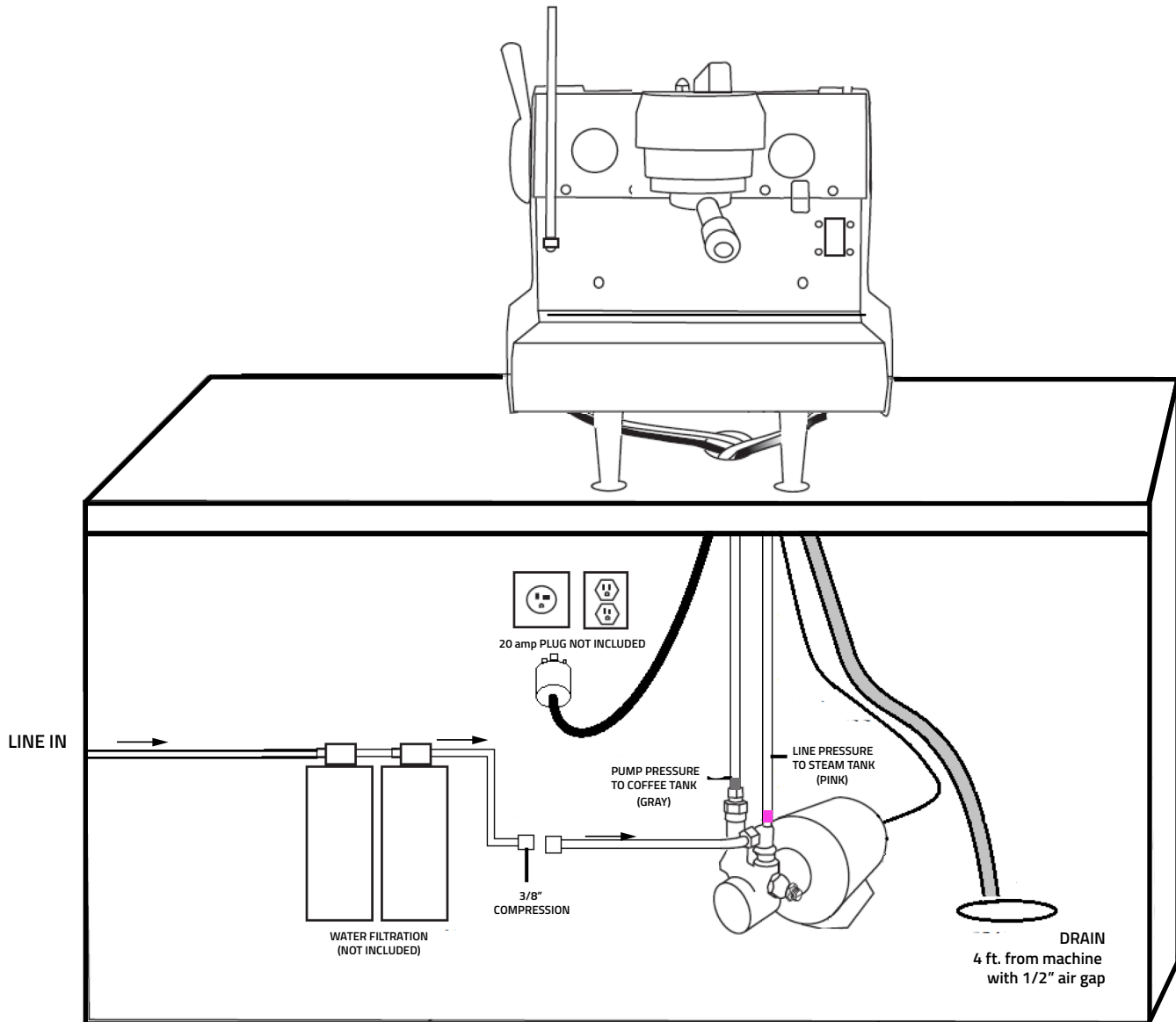


1 GROUP MVP HYDRA INSTALLATION PREP GUIDE



PINK = LINE IN FROM WATER FILTRATION TO THE STEAM TANK
GRAY = LINE TO GROUP 1 (LEFT WHEN FACING MACHINE)

QUICK REFERENCE SPECIFICATIONS:

DIMENSIONS: 21" (H) " 19"(W) 24" (D)

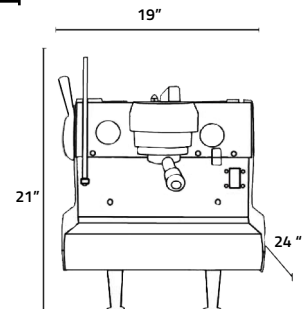
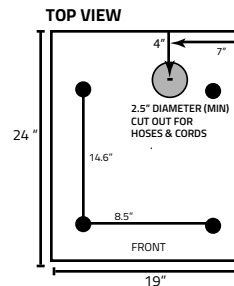
WEIGHT: 115 lbs. (FULL)

ELECTRICAL: Volts: 220/ Amps 16

PLUMBING: Line Pressure of 50 psi (minimum)

FITTING: 3/8" MPT w/ shut-off

DRAINAGE: Within 4 feet of the machine



FOR COMPLETE INSTALL INSTRUCTIONS, PLEASE REFER TO TECHNICAL MANUAL PAGES 8-15