



Sanremo ZOE Competition Cleaning & Maintenance

GENERAL CLEANING WARNINGS

The following is prohibited:

- Cleaning the machine with water jets.
- Using alcohol or ammonia based detergents or abrasive pads to clean the machine. USE detergents specifically for cleaning coffee machines or crockery only.
 - Care must be taken when cleaning the machine and/or installation with detergents to avoid deterioration to components and the environment (more than 90% degradable).
- Clean all parts and components of the machine completely.
- Cleaning and user maintenance shall not be made by children without supervision.

IMPORTANT: All maintenance operations must be performed with the machine off and cold and with the main switch in the "O" OFF position. Certain maintenance operations must be performed while the machine is in operation and exercising great care.

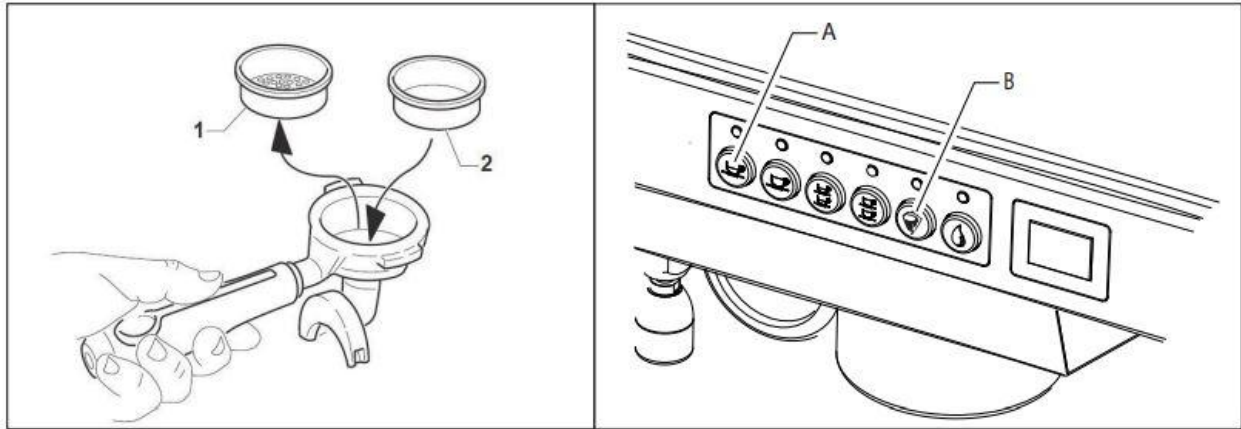
IMPORTANT: To regenerate or service the water softener, follow the instructions in the relative manual.

ROUTINE MAINTENANCE

Routine maintenance includes all operations which must be performed daily after using the machine.

Automatic washing of the groups

IMPORTANT: Automatic washing of the groups is carried out with the coffee machine in operation.



- Remove and empty the portafilter.
- Remove the filter (1), insert the blind filter (2) and add specific detergent for coffee machines. For quantities, follow the instructions on the detergent pack.
- Replace the portafilter on the machine and press buttons (A) and (B) on the group together. The washing cycle starts automatically and the LEDs on buttons (A) and (B) flash.
- At the end of washing, the LEDs on buttons (A) and (B) go off.
- Remove the portafilter and empty the dirt contained in the blind filter by rinsing under running water.
- Put the filter back in the group and repeat the washing cycle without detergent in the blind filter. This rinses the machine. At the end of rinsing, remove the portafilter, replace the blind filter with the normal filter and deliver a coffee to eliminate possible unpleasant tastes.

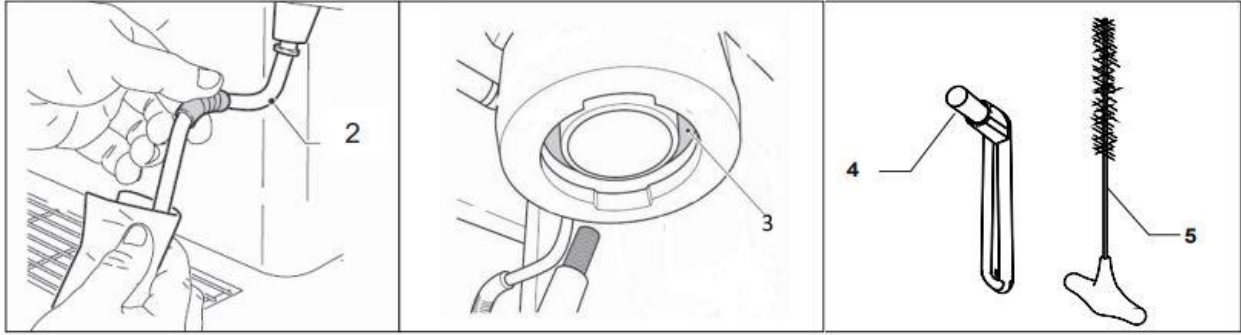
IMPORTANT: The washing procedure must be performed for all groups on the machine.

Daily Cleaning

IMPORTANT: NEVER use corrosive or abrasive detergents; use detergent specifically for cleaning coffee machines or crockery only. NEVER use water jets to clean the machine.

To clean, proceed as follows:

- Remove and empty the portafilters.
- Remove the filters from the portafilters and immerse both in a basin containing specific detergent, leaving them to soak while the machine is inactive.
- Remove the grille and wash with running water and specific detergent.
- After washing, dry thoroughly with a soft cloth, then put back in the machine
- Check there are no encrustations on the steam wands (2), if necessary clean with specific detergents.



- Clean the bottom of the group with detergent and clean the gasket with a soft bristled brush (3).
- Wipe the outside of the machine with a damp cloth. Clean the external parts of the machine using a damp cloth in order to eliminate any residues.
- The brush or bottle brush provided can be used to clean the areas that are not easy to reach with the damp cloth
- The softener should be periodically regenerated according to the manufacturer's directions given in the instruction booklet.