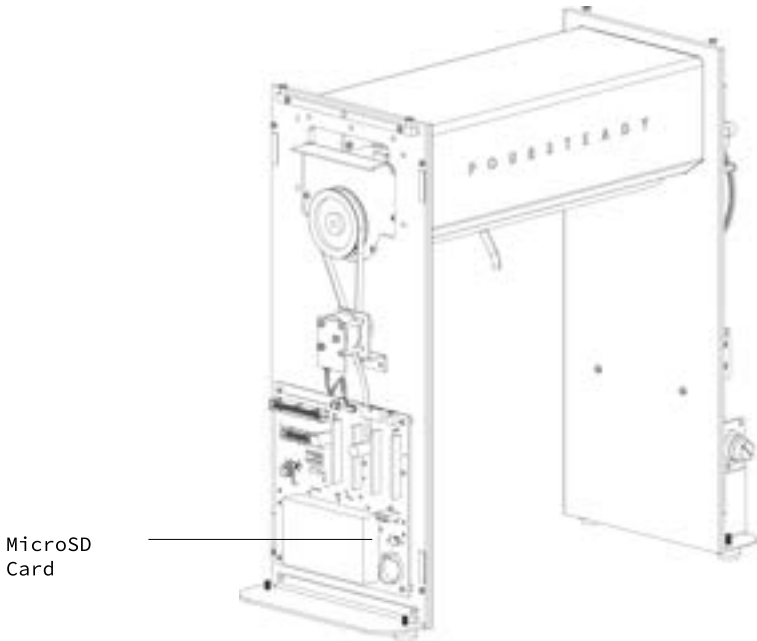
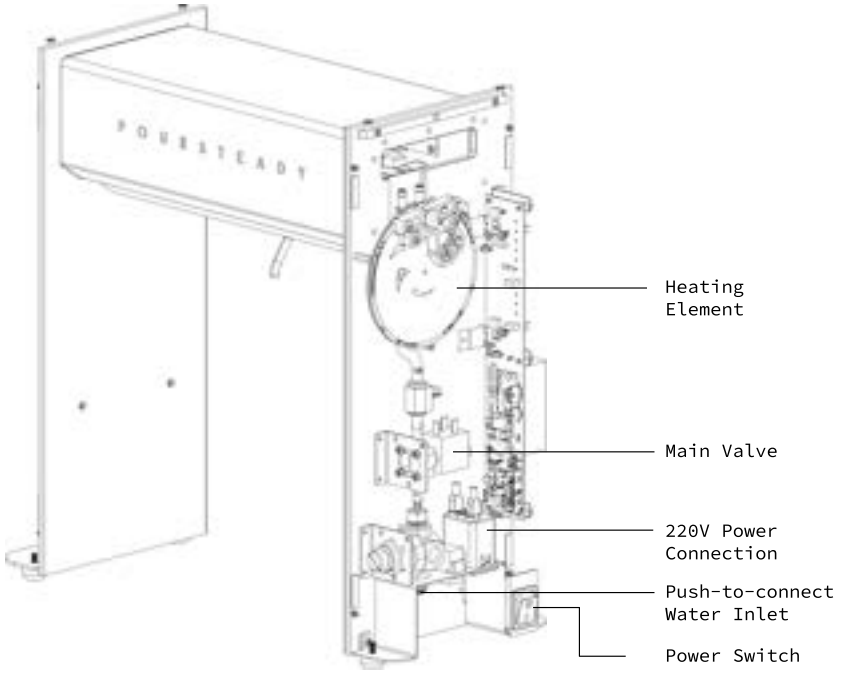


Inside the Machine



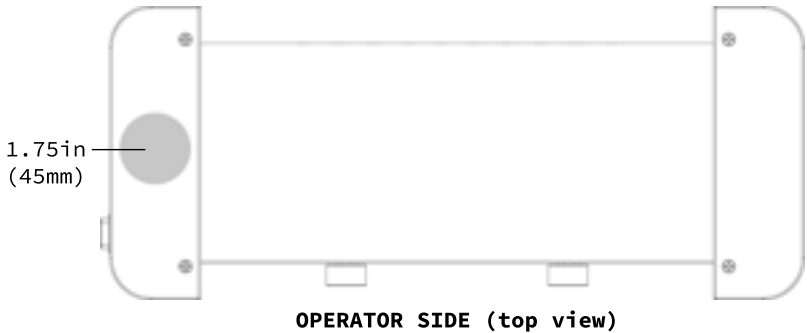
Installation

Before you install, make sure you have the requirements listed below:

- INPUT: 200-250VAC, 50/60Hz, 16A Plug type may vary regionally.
- Adequate counter space with the ability to cut a 1.5 in (40mm) diameter hole in the counter to pass through plumbing, data and electrical connections.
- Plumbed to filtered water from standard building water lines.
 - 8°C min water temperature from lines (12°C may be acceptable for most conditions)
 - Water pressure: 5-80 psi
- Line in via ¼" Push-To-Connect (PTC) fitting
- Cutoff valve recommended under the counter below the Poursteady
- Recommended water quality:
 - Conductivity/T.D.S.: 120-400µS (60-220ppm)
 - Total Hardness: 50-160ppm (3-9°dH)
 - Total Iron: max 0.2mg/l
 - Free Chlorine: none
 - Total Chlorine: none
 - pH: 6-8
 - Alkalinity: 36-107ppm
 - Carbonate Hardness: 2-6°dH
 - Chloride: 0-50ppm

1 Cut hole in countertop

- Locate the Poursteady PS2 with the display and knobs facing the operator in the desired location. Place a temporary mark for reference.
- Cut a 1.75 in (45mm) hole in the counter as shown below:



2 Prepare the Poursteady

- Replace the Poursteady PS2 with the left side over the hole.
- Remove the left-hand cover by first removing the 2 screws on the top of the machine and taking the top cap off.
- Carefully slide the Side Panel up 0.5", or until you can pull it away and remove it entirely.

3 Connect water

- Connect the filtered water supply to the Poursteady PS2 using the ¼" O.D. Push-to-connect (PTC) fitting located on the bulkhead.
- We recommend that a shut-off valve be installed between the water supply and the Poursteady PS2.

NOTE: Make sure the tubing is the correct dimension and is inserted fully into the fitting.

4 Connect power

- Plug one end of the Power Cord into the wall and the other into the PS2 through the hole in the counter.

5 Position Wi-Fi adapter or plug-in ethernet cable (optional)

- If using the Wi-Fi adapter, locate it so that it is out of the way of other plumbing and electrical appliances and within range of the Wi-Fi signal.
- If you are using Ethernet, the Wi-Fi adapter does not need to be installed. Bring the cable through the hole and plug into the Ethernet jack located on the machine.

6 Turn on the Poursteady

- Replace the side cover by sliding it over the shoulder bolts on the End Plate.
- Replace the Top Cap and the screws holding it in place. Flip the power switch on the left-hand side of the unit. If powered up, a red light will appear on the switch, and the lights on the machine will turn on temporarily.
- Wait for the machine to go through its homing routine and boot up. (about 2 minutes)
- You are ready to go!