

ÜBER FONTS WITH UNDERCOUNTER BOILERS



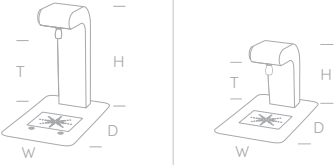
ÜBER FONT



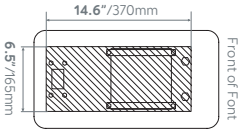
FONT VARIANTS

- 2 Connections
- Low Profile 2 connections

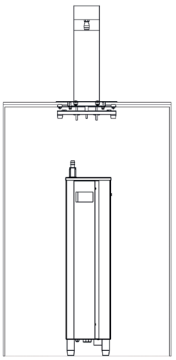
DIMENSIONS



COUNTER CUT-OUTS



SYSTEM SET-UP



- Available in two heights
- Can be used with 1 or 2 undercounter boilers

ECO RANGE



FONTS

PRODUCT INFO		FONT DIMENSIONS		PACKAGING		
NAME	ORDER CODE	DIMENSIONS (D x W x H inches)	TAP TO COUNTER (T inches)	PACKED WEIGHT	PACKAGING DIMENSIONS (L x W x H inches)	QTY / PALLET
Über Font	1000811	18.5 x 9.8 x 15.7	11.5	17.6lb	19.2 x 11 x 26.3	18
Über Font (Low)	1000811L	18.5 x 9.8 x 10.7	6.8			

BOILERS

PRODUCT INFO	WATER TYPE		SIZE	PERFORMANCE SPECS			PLUMBING & ELECTRICAL REQ			PACKAGING		
	MULTI-TEMP	ADJUST TEMP		IMMEDIATE DRAW OFF	GAL/HOUR	CUPS (180ml)/HOUR	POWER @ 220V	NEMA	PLUMBING REQ	PACKED WEIGHT	PACKAGING DIMENSIONS (L x W x H inches)	QTY / PALLET
Ecosmart UC4 1000750US	N	Y	15.5 x 5.2 x 23	1 GAL	7.3	156	2.4kW	L6-20P	3/8" Compression or 3/8" John Guest	24lbs	19.7 x 9.4 x 27	20
Ecosmart UC10 1000752US			15.5 x 8.8 x 23	2.6 GAL			5.6kW @ 230V	L6-30P		33lbs		10
Ecosmart UC45 1000754US			19.4 x 16.5 x 26.2	11.8 GAL	14.7	311	49lbs	19.7 x 16.5 x 27		4		
Ecoboiler UC4 110v 1000740		N	15.5 x 5.3 x 23	1 GAL	3.6	75	1.4kW @110v	5-15p		24lbs	19.7 x 9.4 x 27	20

ÜBER FONT WITH ECOSMART/ECOBOILER UNDERCOUNTER WATER BOILERS



COUNTER CUT-OUT	ÜBER FONT 1000812/1000811		
	ECOBOILER UC4 1000747US ECOSMART UC4 1000750US	ECOSMART UC10 1000752US	ECOSMART UC45 1000754US
<p>Front of Font</p>	<p>* Hosing should be trimmed to ensure continuous drop from font to boiler</p>	<p>* Hosing should be trimmed to ensure continuous drop from font to boiler</p>	<p>* Hosing should be trimmed to ensure continuous drop from font to boiler</p>
<p>Boiler Connections to Font</p>			

VENTILATION REQUIREMENTS

50mm/1.9" clearance required at each side and back of machine if installed in an enclosed cabinet.

ELECTRICAL INSTALLATION PROCEDURE

When installing the machine, always observe the local regulations and standards. The appliance is either supplied with a NEMA L6-20P moulded power cord or a 515P power cord. A suitable mains power supply socket should be available within easy access of the appliance so that it can be disconnected easily after install. The wires from the font are terminated in a Mini Fit connector which will plug into a similar Mini Fit connector mounted on the top lid of the undercounter boiler.

PLUMBING INSTALLATION PROCEDURE

- Ensure that the equipment is installed according to local plumbing & water regulations.
- Mains water pressure required (limits): 14.5 -145psi (100 -1000kPa, 0.1 - 1MPa).
- Requires inline water filter within your water specifications.
- The machine requires either a 3/8" compression, or 3/8" John Guest water connection.
- Turn on the water to flush any impurities, dust etc from the inlet hose and water pipe. Allow several litres through. Especially for new installations. Connect the hose to the inlet valve of the boiler. Make sure a sealing washer is fitted.
- Turn on water and check for leaks.
- If the overflow vent is plumbed it must be plumbed with a tundish device.

- This equipment must be installed with adequate backflow protection to comply with all applicable federal, state and local codes.

OPERATING BOILER FOR THE FIRST TIME

- Check that all installation procedures have been carried out.
- Ensure water valve is on.
- Plug boiler appropriate electrical supply and press power button on the front of the machine marked 'Power'.
- The "power on" light will glow green and the machine will fill to a safe level, above the elements, before heating.
- The "Ready/Status" light will cycle two red flashes while the machine is filling to the safe level.
- After this amount of water has heated to about 95°C the boiler will draw more water in until the temperature drops by 1 or 2 degrees. The boiler will then heat again. This heat fill cycle continues until the boiler is full.
- Whilst the machine is above the safe level and filling, the "Ready/Status" light will remain blank.
- The "Ready/Status" light will glow green when the machine is both full and up to normal operating temperature.
- The boiler is now ready for use.
- The font is simply activated by pressing the button on the top of the font.

NOTE: Because the boiler is electronically controlled no priming is necessary. The element cannot switch on until a safe level of water is reached.