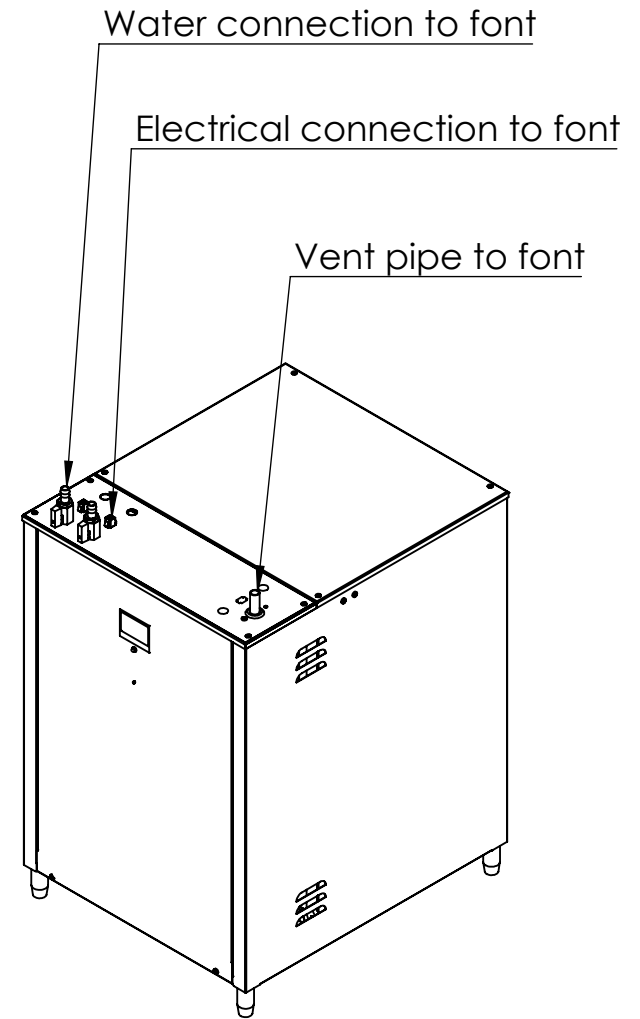


Water inlet (3/4" BSP)

Power inlet (cord with 2.8kW 13A moulded plug)



marco

DESCRIPTION:	1000754 Ecosmart UC45 General aspect	DRAWN BY	RP	29/01/2018
DWG NO.:	1000754-GA	APPROVED BY		
Dimensions	mm & inches	REVISION	a	CO: 416