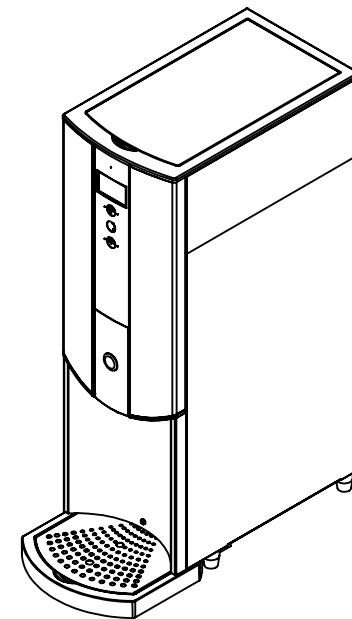


Electrical connection
(NEMA L6-20P moulded plug)

Water connection
(3/4" BSP to 9/16-24 UNEF female)



marco

DESCRIPTION: 1000678US ECOSMART PB10 HI General aspect

DWG NO.: 1000678US-GA

Dimensions mm & inches

DRAWN BY RP

APPROVED BY DW

REVISION a

29/01/2018

CO: 416