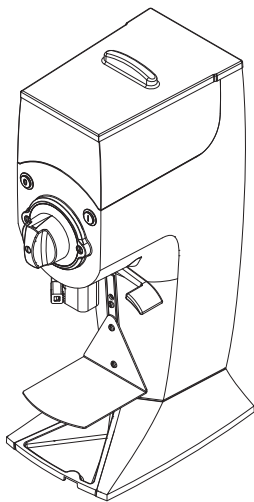
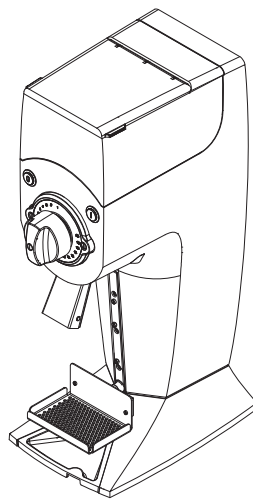
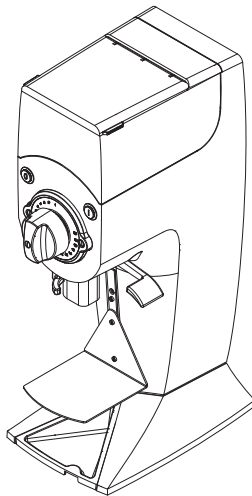


GUATEMALA | GUATEMALA SB

INSTRUCTION MANUAL



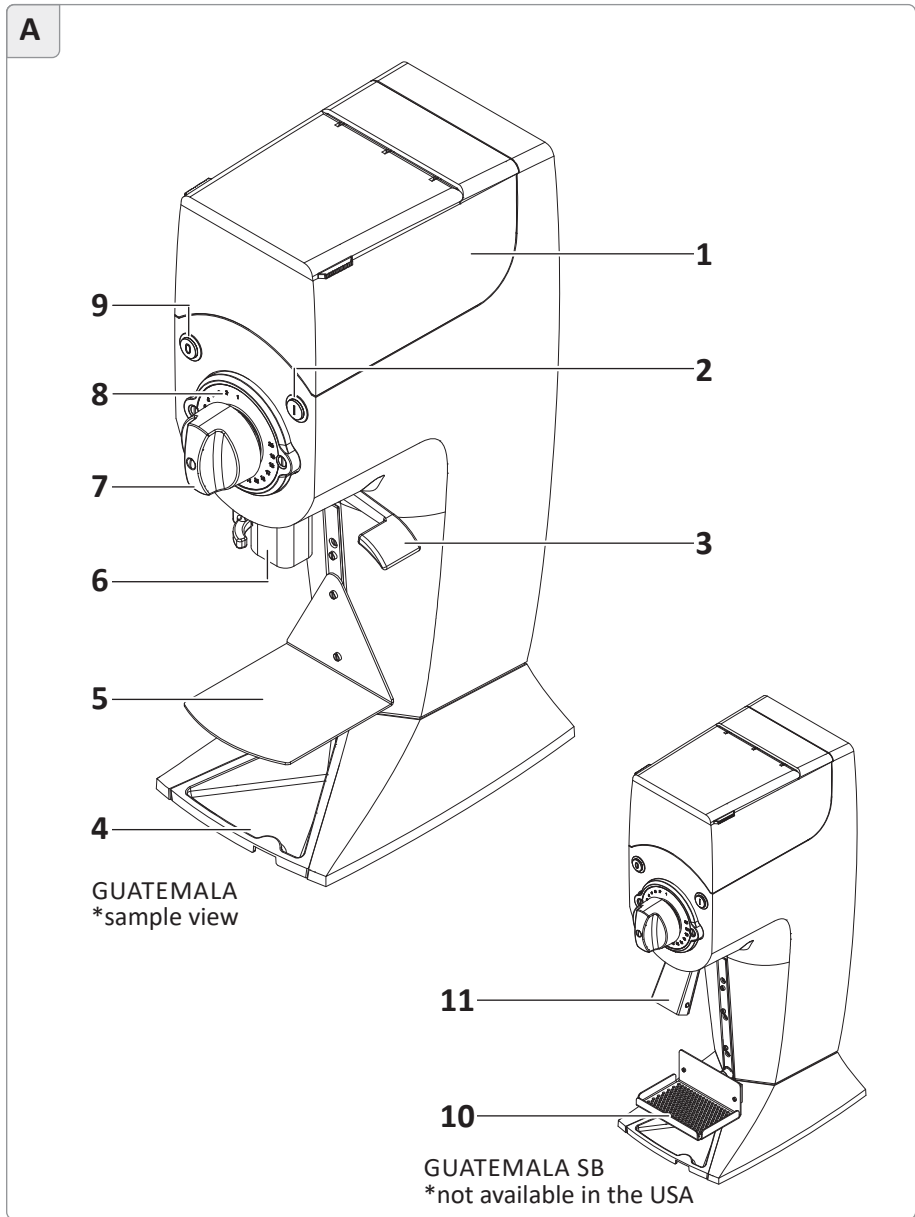
GUATEMALA



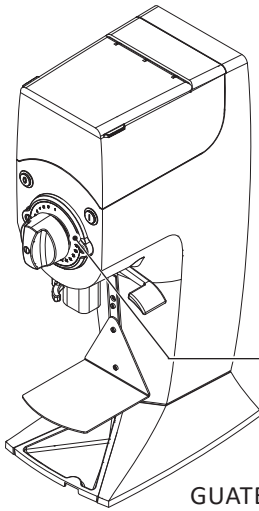
GUATEMALA SB



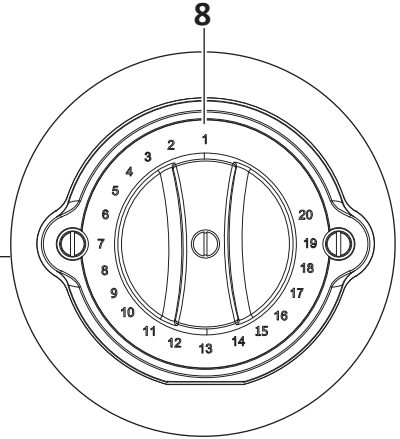
Overview



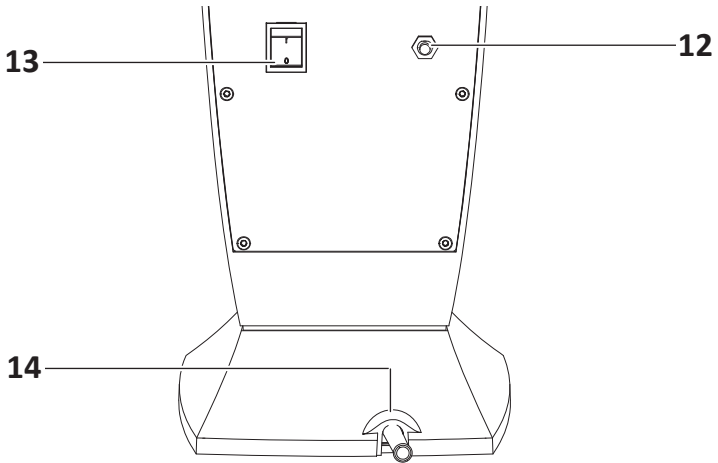
B

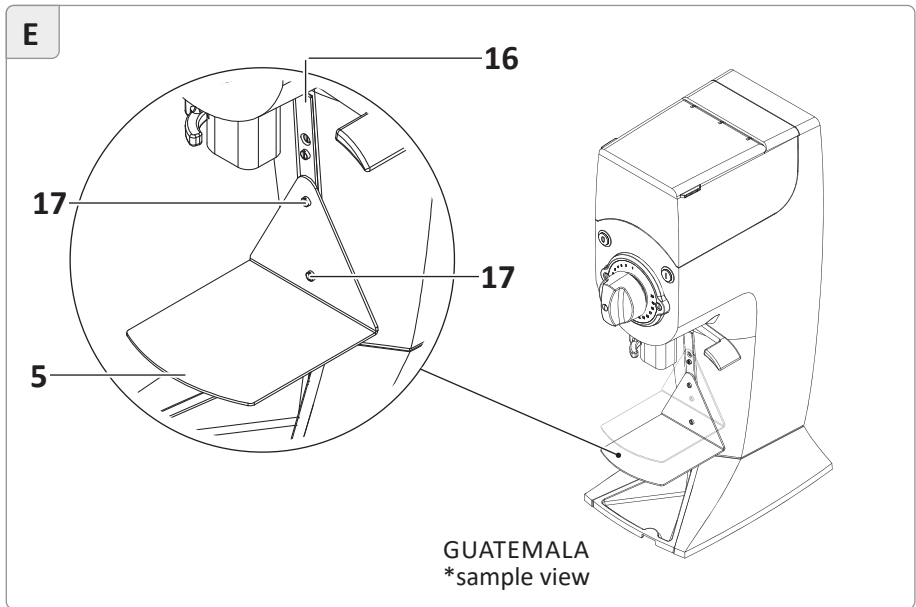
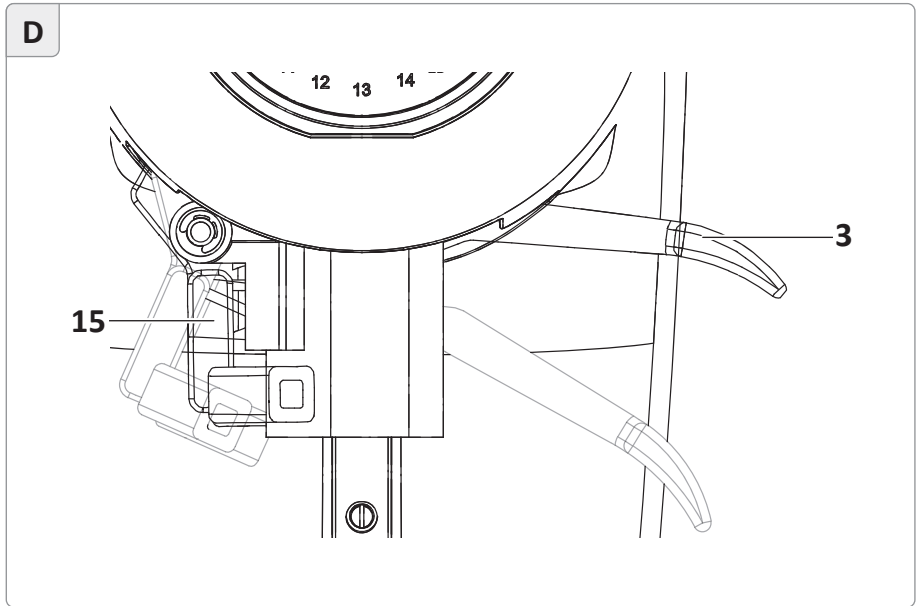


GUATEMALA
*sample view

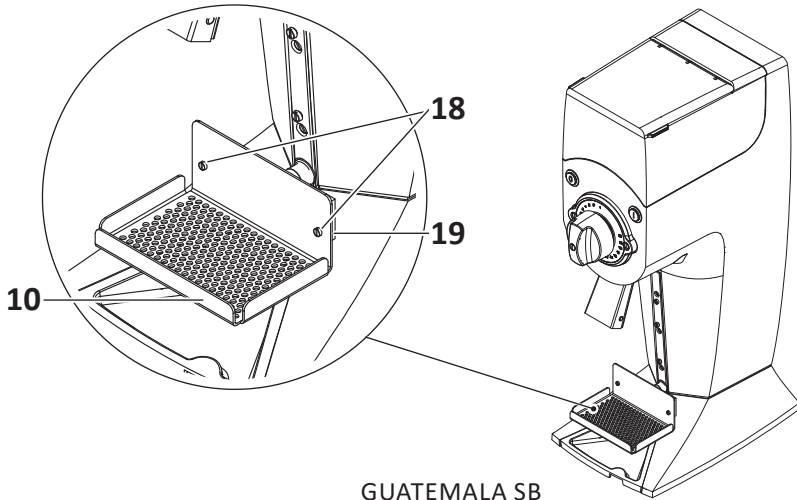


C



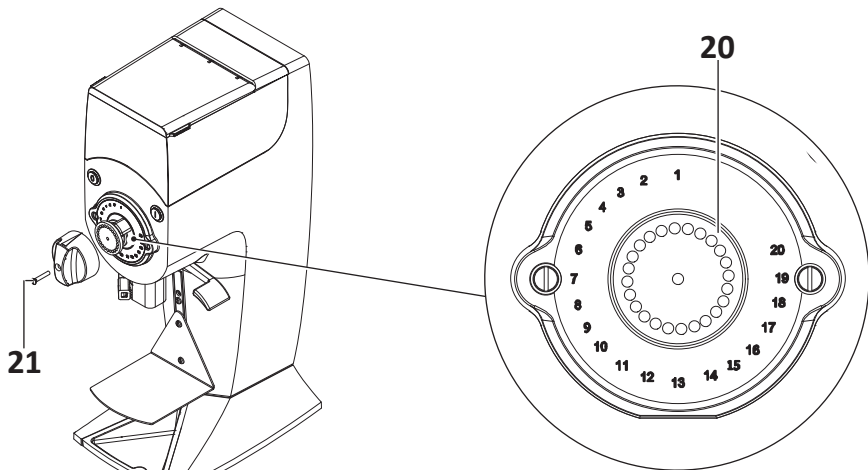


F



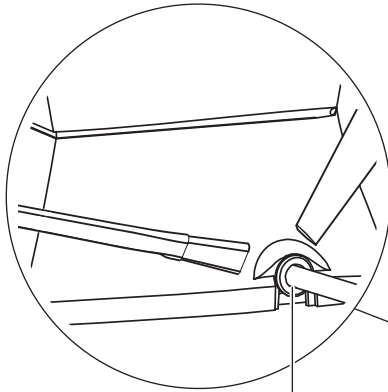
GUATEMALA SB
*not available in the USA

G



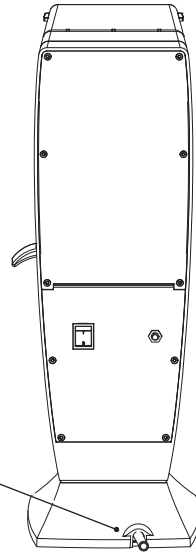
GUATEMALA
*sample view

H

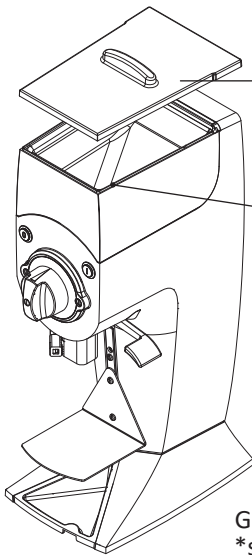


14

GUATEMALA
*sample view



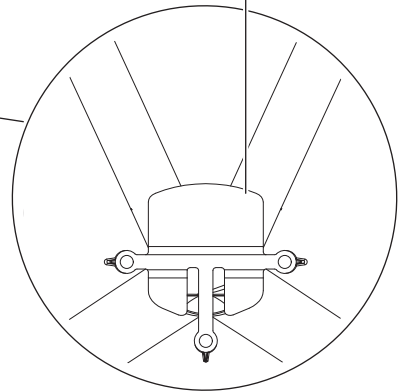
I



23

22

GUATEMALA
*sample view



Scope of delivery

No.	Name
1	Bean hopper (with lid)
2	Start button
3	Bag clamp lever
4	Collecting tray
5	Table
6	Spout
7	Adjusting cap
8	Grinding degree scale
9	Stop button
10	Vibrating basket
11	Spout chute
12	Release button (thermal overcurrent circuit-breaker)
13	On/Off switch
14	Power cable
15	Bag clamp
16	Table mount
17	Table adjusting screw
18	Vibrating basket adjusting screw
19	Vibrating basket holder
20	Adjusting spindle
21	Adjusting cap screw
22	Finger protection
23	Bean hopper lid

Guatemala

Contents

Overview	2	Starting the grinding process.....	18
Scope of delivery	7	Changing the coffee variety.....	18
General information	9	Cleaning	19
Reading and storing the instruction manual.....	9	Cleaning the surface underneath the grinder	20
Explanation of symbols used	9	Cleaning the casing	20
Safety	11	Cleaning the adjusting cap.....	21
Intended use	11	Cleaning the bean hopper	21
Safety information	11	Cleaning the grinding mechanism with GRINDZ™	22
Before using	14	Troubleshooting	23
Checking the grinder and scope of delivery.....	14	Technical data	26
Setting up and connecting the grinder.....	14	Disposal	27
Operation	16	Disposing of the packaging.....	27
Adding the coffee beans.....	17	Disposing of the grinder	27
Setting the grinding degree	17	Maintenance and service	27
Preparing or inserting the grounds container/coffee bag	17		
Switching the grinder on/off.....	18		

General information

Reading and storing the instruction manual



Before you start using the Guatemala | Guatemala SB coffee grinder, read through this instruction manual and the safety information carefully. Only then will you be able to use the Guatemala | Guatemala SB coffee grinder safely and without risk.

The instruction manual is based on the standards and regulations in force in the European Union. Please also observe the guidelines and laws that apply in your country.

For greater clarity, the Guatemala | Guatemala SB coffee grinder will be referred to simply as the “grinder” below.

Retain this instruction manual for future reference.

Pass this instruction manual on to subsequent owners and users of the grinder.

Explanation of symbols used

The following symbols and signal words are used in this instruction manual, on the grinder, or on the packaging.

WARNING!



This signal word/symbol indicates a moderate risk, which, if not avoided, can lead to death or serious injury.

CAUTION!



This signal word/symbol indicates a low risk, which, if not avoided, can lead to minor or moderate injury.

NOTE!

This signal word warns of possible material damage.



This symbol provides you with useful information about operation or handling.



Declaration of Conformity:
Products marked with this symbol fulfill all applicable Community rules of the European Economic Area.



Intertek

ETL Listed seal of approval:
Products marked with this symbol meet the requirements for electrical product safety in the United States of America.



Intertek

Products marked with this symbol meet the required criteria of the NSF (National Sanitation Foundation) regarding cleanliness and hygiene in the food industry.



Products marked with this symbol are permitted only for use indoors.



This symbol indicates a risk of electric shock.



This symbol indicates that the grinder conforms to protection class I.

Safety

Intended use

The grinder is suitable exclusively for grinding whole roasted coffee beans. Do not use the grinder to grind other products or objects.

The grinder is intended for commercial use but is not suitable for continuous high-volume production. The grinder may only be maintained by trained personnel. However, it may be operated by other persons in a place where use is supervised.

Any other use is considered improper and can result in material damage or even personal injury. Do not make any modifications to the grinder. Neither the manufacturer nor the retailer can accept liability for any injury or damage resulting from failure to comply with the safety information.

Safety information

WARNING!

Risk of electric shock!

Improper use, incorrect electrical installation, or a voltage that is too high can all lead to electric shock.

- Connect the grinder only if the supply voltage of the socket complies with the information indicated on the type plate.
- Connect the grinder only to an easily accessible socket to allow you to disconnect it quickly from the power supply in the event of a malfunction.
- Do not use the grinder if you notice any visible damage or if the power cable or plug is faulty.
- If the grinder power cable is damaged, it must be replaced by the manufacturer or by qualified personnel in order to avoid hazards.
- Do not operate the grinder without a ground connection.
- Connect the grinder only to a power supply with a 16 A-slow fuse. If the power connection at the installation location of the grinder is not protected in this way, have a 16 A-slow fuse fitted by a qualified electrician.

- Install the grinder only in locations where its use can be supervised by trained personnel.
- Do not operate the grinder at altitudes above 2,000 meters.
- Do not immerse the grinder, the power cable or the power plug in water or any other liquids.
- Do not clean the grinder with a water jet or high-pressure cleaner.
- Do not clean the grinder with compressed air (e.g. with a compressed-air blow gun).
- Never touch the power plug with wet hands.
- Never unplug the power plug from the wall socket by pulling on the power cable; always grip the power plug.
- Never carry the grinder by its power cable.
- Keep the grinder and power cable/power plug away from open flames and hot surfaces.
- Do not position the power cable in such a way that it could create a tripping hazard.
- Do not bend the power cable and do not place it over sharp edges.
- Use the grinder in indoor areas only. Never operate the grinder in damp areas or in the rain.
- Keep children away from the grinder.
- Make sure that children do not insert any objects into the grinder.
- If you are not currently using the grinder, if you are cleaning it, or if there is a malfunction, switch the grinder off and remove the power plug from the socket.
- Do not open the grinder casing, leave repairs to the experts. If repairs are required, contact a specialist workshop. If unauthorized repairs are carried out, the connection is not made correctly, or the grinder is operated incorrectly, all liability and warranty claims are voided. Only parts that comply with the original appliance specifications may be used for repairs. This grinder contains electrical and mechanical parts that are essential for protection against potential hazards.

 WARNING!

Danger for children and persons with reduced physical, sensory, or mental capacities (e.g. partially disabled persons, elderly persons with limited physical and mental capacities) or a lack of experience and knowledge (e.g. older children).

- The grinder is not intended for use by children or persons with reduced physical, sensory, or mental capabilities or with a lack of experience and knowledge. Children may not play with the grinder.
 - Do not leave the grinder unsupervised when it is in operation.
 - Do not let children play with the packaging film. Children can become entangled in it and suffocate while playing.
 - Do not let children play with small parts. They can be life-threatening if swallowed.
-

 CAUTION!**Risk of tipping and injury!**

Incorrect handling of the grinder can result in injury.

- Lay out the power cable in such a way that nobody can become entangled in it and cause the grinder to fall.
 - Place the grinder on a level and stable surface to prevent it from falling off.
-

Before using

Checking the grinder and scope of delivery

NOTE!

Risk of damage!

Opening the packaging incautiously with a sharp knife or other pointed objects can damage the grinder.

- Proceed very carefully when opening.
-

1. Remove the grinder from its packaging.
2. Check that the delivery is complete (see **Fig. A, B, D, E, and F**).
3. Check for damage to the grinder or any of the individual parts.
If there is any damage, do not use the grinder. Contact your supplier (see “Maintenance and service” section).



Please note that the grinder has undergone a comprehensive functional test prior to delivery and may contain ground coffee residue.

Setting up and connecting the grinder

1. Place the grinder on a level and stable surface that does not vibrate.
2. Make sure that the grinder is switched off (On/Off switch **(13)** to **0**) and connect the grinder to the power supply by inserting the power plug **(14)** into a properly installed safety socket.
3. Place the collecting tray **(4)** into the corresponding casing recess below the table/vibrating basket.



- Do not operate the grinder without a collecting tray; the coffee grounds could get into the inside of the grinder and damage the grinder.
- Please note that the dispersion of the grounds depends on the distance between the spout and the hopper: The less the spacing, the less the dispersion of the coffee grounds.

Guatemala

Adjust the table **(5)** to the desired height using the adjusting screw **(17)** (see **Fig. E**).

1. Loosen the adjusting screw on the table using a slot screwdriver.
2. Insert the adjusting screw into the upper or lower hole on the table mount **(16)**.
3. Fasten the adjusting screw on the table using a slot screwdriver.

Operation

NOTE!

Risk of overheating!

Exceeding the maximum permissible operating cycle can cause the grinder to overheat.

- Do not exceed the maximum operating cycle (see “Technical data” section).
 - Observe the recommended break when the maximum permissible operating cycle is reached (see “Technical data” section).
-



- The grinder has a thermal overcurrent circuit-breaker which interrupts the electric circuit of the grinder in the event of an electrical overload.
To use the grinder again, first set the On/Off switch **(13)** to switch position **0** (off).
Then push the release button **(12)** in.
You can now switch the grinder on by setting the On/Off switch to switch position **I** and resume using the grinder (see “Troubleshooting” section).
 - The grinder also has a motor protector, which switches off the grinder when the motor becomes too hot.
As soon as the motor has cooled down, the grinder can be put into operation again (see “Troubleshooting” section).
-

NOTE!

Risk of damage!

The operator cannot adjust the thermal overcurrent circuit-breaker. If the circuit-breaker has been triggered several times, a service partner must be contacted for advice, as the motor winding may be damaged.

Adding the coffee beans

1. Open the lid of the bean hopper **(1)**.
2. Pour whole roasted coffee beans into the bean hopper from above.
The maximum filling quantity should be approx. 1 cm below the edge of the bean hopper.
3. Close the lid of the bean hopper.

Setting the grinding degree



The grind adjustment's grinding degree scale displays the desired grinding degree.
The finest setting is "1".

1. Make sure that you have inserted the power plug **(14)** into a properly installed safety socket.
2. Turn the adjusting cap **(7)** towards "1" for fine coffee grinding and in the opposite direction for coarse coffee grinding (see **Fig. B**).

Preparing or inserting the grounds container/coffee bag

Depending on the model of your grinder, prepare the right container for collecting the coffee grounds:

Grounds container/coffee bag for table/vibrating basket

1. Place a suitable grounds container or a coffee bag on the table **(5)** or the vibrating basket **(10)**.
2. If required, adjust the height of the table to suit the grounds container/coffee bag using the adjusting screws **(17)** (see "Setting up and connecting the grinder" subsection).
3. Continue with the subsection "Starting the grinding process".

Grounds container/coffee bag in bag clamp

1. Insert a suitable grounds container/coffee bag into the bag clamp **(15)** by holding down the bag clamp lever **(3)**.
The bag clamp will lift away from the spout **(6)** at the sides (see **Fig. D**).
2. Put a coffee bag over the spout or position a suitable grounds container underneath it.

3. Release the lever.
The bag clamp will close around the spout and hold the coffee bag or grounds container.
4. Continue with the subsection “Starting the grinding process”.

Switching the grinder on/off

1. Make sure that you have inserted the power plug **(14)** into a properly installed safety socket.
2. Switch on the grinder by moving the On/Off switch **(13)** to position I.
3. Switch off the grinder by moving the On/Off switch to position 0.

Starting the grinding process

1. Start the grinding process by pressing the start button **(2)**.
2. The grinding is completed as soon as you press the stop button **(9)** or the grinder is idling and no grinding noises are audible.
3. With one hand, secure the coffee bag/grounds container and press the lever of the bag clamp **(3)** several times in quick succession by tapping the lever against the spout **(6)** a few times.
Remove any grind residue sticking to the grinder.



When the grinder model comes with a vibrating basket, there is no need to manually tap the container.

4. Hold down the lever and remove the coffee bag/grounds container containing the ground material from the spout or remove the coffee bag/grounds container from the table **(5)**/vibrating basket **(10)**.

Changing the coffee variety

1. Grind the coffee beans that remain in the grinding mechanism until the grinder runs empty.
2. Pour the new coffee beans into the bean hopper **(1)**.
3. Grind 2 grams of the new coffee variety to remove any residues from the old coffee beans and to warm up the machine.

Cleaning



CAUTION!

Risk of injury!

The grinder can fall over and cause injury when it is being moved.

- Always place the grinder on a stable surface that will not tilt.
 - Ask another person for help if the grinder is too heavy.
-

NOTE!

Risk of short-circuit!

Water penetrating the grinder can cause a short-circuit.

- Never immerse the grinder in water or any other liquids.
 - Never clean the grinder with a water jet.
 - Ensure that no water or other liquids enter the casing in any other way.
-

NOTE!

Risk of damage!

Improper handling can damage the grinder.

- Do not use any harsh cleaning agents or sharp or metallic cleaning tools such as knives, metal scouring pads, or similar. These can scratch the surface.
 - Do not clean the grinder with compressed air (e.g. with a compressed-air blow gun).
 - Do not put the drip tray or the lid of the bean hopper into the dishwasher. These parts are not dishwasher-proof and the color may fade.
 - Do not lift the grinder by the bean hopper. Always lift the grinder by its casing using both hands.
-

Cleaning the surface underneath the grinder

1. Switch off the grinder (On/Off switch **(13)** to position **0**) and remove the power plug from the socket.
2. Lift the grinder by its casing with both hands and place it on another surface that is clean.
3. Use a damp cloth to clean the surface on which the grinder is used and then dry the surface.
The surface must be dry and free from oil and grease.
4. Use a damp cloth to clean the bottom of the grinder by carefully tipping it to the side and then dry the bottom.
The bottom must be dry and free from oil and grease.
5. Place the grinder back onto the cleaned surface.

Cleaning the casing

1. Switch off the grinder (On/Off switch **(13)** to position **0**) and remove the power plug from the socket.
2. Clean the following parts of the grinder with a brush:
 - Spout **(6)**,
 - Spout chute **(11)**,
 - Bag clamp **(15)**,
 - Bag clamp lever **(3)**,
 - Table **(5)**,
 - Vibrating basket **(10)**,
 - Vibrating basket holder **(19)**, table mount **(16)**, adjusting screw **(17)** for the table, adjusting screws **(18)** for the vibrating basket (left and right).
3. Remove the collecting tray **(4)** by lifting it out of the casing recess.
Wipe the casing and the collecting tray with a damp cloth as necessary, but at least once a week.
4. Clean the mechanism of the bag clamp **(3, 15)** with a hand-held vacuum cleaner.
5. Clean the power cable outlet **(14, Fig. H)** at the rear of the casing using a brush and a hand-held vacuum cleaner.

Cleaning the adjusting cap

1. Switch off the grinder (On/Off switch **(13)** to position **0**) and remove the power plug from the socket.
2. Turn the adjusting cap **(7)** to “fine” until it reaches the stop.
3. Using a slot screwdriver, unscrew the screw **(21)** from the adjusting cap and remove the adjusting cap (see **Fig. G**).
4. Clean the adjusting spindle **(20)** and the lid of the grinder casing with a brush.
5. Place the adjusting cap on the adjusting spindle such that the cap is pointing towards the “fine” symbol. It should not be possible to turn it to the right.
6. Screw tight the screw of the adjusting cap using a slot screwdriver.

Cleaning the Guatemala:

1. Loosen the adjusting screw **(17)** on the table **(5)** using a slot screwdriver and pull the table out of the table mount **(16)**.
2. Clean the table with a brush.
3. Clean the table and table mount with a damp cloth and then dry them.
4. Reinsert the table and fasten the adjusting screw on the table using a slot screwdriver.

Cleaning the Guatemala SB:

1. Loosen the adjusting screw **(18)** on the vibrating basket **(10)** using a slot screwdriver and pull the vibrating basket out of the vibrating basket holder **(19)**.
2. Clean the vibrating basket with a brush.
3. Clean the vibrating basket and the vibrating basket holder with a damp cloth and then dry them.
4. Reinsert the vibrating basket and fasten the adjusting screw on the vibrating basket using a slot screwdriver.

Cleaning the bean hopper



The bean hopper must be cleaned daily to remove any coffee oil residue, which can have a negative effect on the taste.

1. Grind the coffee beans that remain in the grinding mechanism until the grinder runs empty.
2. Remove the lid (**23, Fig. I**) from the bean hopper and clean the underside of the lid using a brush and a handheld vacuum; clean the top and bottom of the lid with a damp cloth and then dry it off.
3. Clean the bean hopper (**1**) inside and outside with a damp cloth and then dry it.
4. Clean the finger protection (**22, Fig. I**) with a thin and flexible cleaning brush.
5. Pour the coffee beans back into the bean hopper and put the lid on it.

Cleaning the grinding mechanism with GRINDZ™



- The manufacturer recommends using the GRINDZ™ grinder cleaner. For more information about GRINDZ™, visit **www.mahlkoenig.de**.
 - The grinding mechanism should be cleaned every 2–5 days.
1. Grind the coffee beans that remain in the grinding mechanism until the grinder runs idle and no coffee beans are left in the bean hopper (**1**).
 2. Use the adjusting cap (**7**) to set the coarsest possible grinding degree (see “Setting the grinding degree” section).
 3. Pour the grinder cleaner into the bean hopper.
Use only the quantities indicated by the manufacturer of the grinder cleaner you are using.
 4. Place a collecting container underneath the spout (**6**) to collect the grinder cleaner.
 5. Press the start button (**2**) to start grinding the grinder cleaner.
The grinding of the grinder cleaner is completed as soon as the grinder begins to idle.
 6. Switch off the grinder by pressing the stop button (**9**) once the grinder cleaner has been completely ground.
 7. Wipe down the bean hopper with a dry, lint-free cloth.
 8. Remove any leftover cleaning particles by grinding the same amount of coffee beans as the grinder cleaner used. Set the grinder to the desired grinding degree during the grinding process.
 9. Dispose of the ground grinder cleaner and the ground coffee beans in commercial/domestic waste.


Troubleshooting

Problem	Cause	Remedy
The grinder is not grinding or buzzing.	• The power plug is not plugged into a socket.	→ Insert the power plug into a properly installed socket.
	• The thermal overcurrent circuit-breaker has been triggered.	→ Check whether the circuit-breaker's release button has popped out. Push it back in if necessary. If the circuit-breaker repeatedly pops out, contact your supplier (see "Maintenance and service" section).
	• The electric fuse has tripped.	→ Check the back-up fuse. Return it to its original state or replace it. Check whether other loads are connected to this fuse and if so, pull their plugs. If the fuse trips repeatedly, contact your supplier (see "Maintenance and service" section).

Problem	Cause	Remedy
The grinder is humming but not grinding.	• The grinding mechanism is blocked.	→ Change the grind adjustment setting to “coarse” and start the grinding process. The grinder will clear itself. Then, during operation, change the grind adjustment setting to the desired grinding degree.
	• The grounds are too fine.	→ Release the lock on the grind adjustment setting and set the grinding degree to “10”. Start the grinding process. The grinder will clear itself. Then, during operation, change the grind adjustment setting to the desired grinding degree.
	• A foreign object is in the grinding mechanism.	→ Clean the grinding mechanism as described in the “Cleaning” section and remove the foreign object. If the foreign object cannot be removed, contact your supplier (see “Maintenance and service” section).
The grinder is not grinding finely enough.	• The burrs are worn out.	→ Contact your supplier (see “Maintenance and service” section).
	• The burrs are not aligned correctly.	→ Contact your supplier (see “Maintenance and service” section).
The grinder does not grind continuously or the grinding process stops intermittently.	• The start button is faulty.	→ Contact your supplier (see “Maintenance and service” section).

Problem	Cause	Remedy
The grinder's dosing accuracy is decreasing.	<ul style="list-style-type: none"> • The spout is clogged. Too much ground coffee has built up in solid form inside the grinder. 	<p>→ Using a brush, remove the spout or clean the spout from the outside while the grinder is switched off. Change the grind adjustment setting to "coarse" and start the grinding process. The grinder will clear itself. Then, during operation, change the grind adjustment setting to the desired grinding degree.</p>
	<ul style="list-style-type: none"> • The grinder spout is damaged. 	<p>→ Contact your supplier (see "Maintenance and service" section).</p>
	<ul style="list-style-type: none"> • The flapper is dirty/faulty. 	<p>→ Contact your supplier (see "Maintenance and service" section).</p>
The vibrating basket is not vibrating.	<ul style="list-style-type: none"> • The eccentric rod is faulty. 	<p>→ Contact your supplier (see "Maintenance and service" section).</p>

Technical data

Model:	Guatemala Guatemala SB
Voltage / frequency:	100 V; 50/60 Hz 110–127 V; 60 Hz 220–240 V; 50/60 Hz
Protection type:	IPX1
Protection class:	I 
Fuse:	16 A-slow
Idle speed:	
50 Hz:	2850 rpm
60 Hz:	3400 rpm
Sound emission values (during grinding):	85 dBA
Grinding capacity (fine–coarse):	15 g/s*
Max. permitted operating cycle:	40 min. on/100 min. off
Dimensions (W × D × H):	220 × 330 × 620 mm
Weight (net):	28 kg
Max. funnel fill amount:	1000 g

*Depending on the espresso bean type selected, the grinding degree selected, and the mains frequency.

Disposal

Disposing of the packaging



Dispose of the packaging by correctly sorting the recyclable materials. Dispose of cardboard as waste paper and film as recyclable materials.

Disposing of the grinder



Used appliances may not be thrown into commercial/domestic waste!

If you can no longer use your grinder, you are **legally obliged as a consumer to dispose of used appliances separately from commercial/domestic waste**, e.g. at a local collection point. This ensures that old appliances are recycled correctly and reduces harmful effects on the environment. For this reason, electrical appliances are labelled with the symbol opposite.

Maintenance and service

If service or maintenance is required, contact an authorized customer service center for Mahlkönig products. The customer service department can answer any questions you may have regarding repair and maintenance of your product or spare parts.

Exploded diagrams and information about spare parts are also available at:

www.mahlkoenig.de

www.mahlkoenig.de/retailers



Our application consulting team will be happy to help you with questions concerning our products and their accessories.

For all inquiries and spare parts orders, please be sure to include the article and serial number as stated on the grinder type plate.

The version of the grinder is displayed in the service menu.

Please give this to your supplier when requesting servicing.

HEMRO

Global Coffee Grinding Solutions

Hemro Manufacturing Germany GmbH

Tilsiter Strasse 144 | 22047 Hamburg, Germany

T: +49 40 696 94 00 | F: +49 40 69 69 40 45

office@mahlkoenig.de | www.mahlkoenig.de