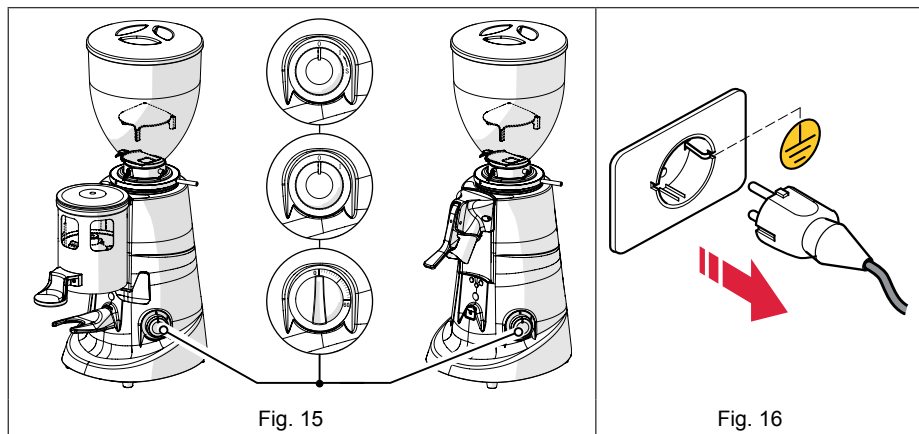


6 GRINDER-DOSER MAINTENANCE

6.1 Ordinary maintenance



ATTENTION! Before performing any ordinary maintenance on the equipment, disconnect it from the power supply by turning the switch (Fig. 15) to the "O" (OFF) position and disconnect the power plug from its socket (Fig. 16).



All routine maintenance interventions on your appliance are summarised in the following table.

Fiorenzato M.C. S.r.l. advises its customers to strictly follow the indicated interventions, carrying them out in the times and in the manner described.

ORDINARY MAINTENANCE INTERVENTIONS			
Frequency	Type of Intervention	Executor	Para.
After each use	Precise equipment cleaning	User	6.1.1
After each use	Supply cable status check	User	6.1.2
Monthly	Final cleaning of grinders	User	6.1.3
Whenever necessary	Put the coffee grinder-doser into rest mode	User	6.1.4
At the expiry date indicated for your type of appliance (see "Grinder duration" fields in Paras. 2.5.3 and 2.5.4).	Replacing the grinders	Qualified operator or specialist technician	6.1.5

6.1.1 Cleaning the equipment

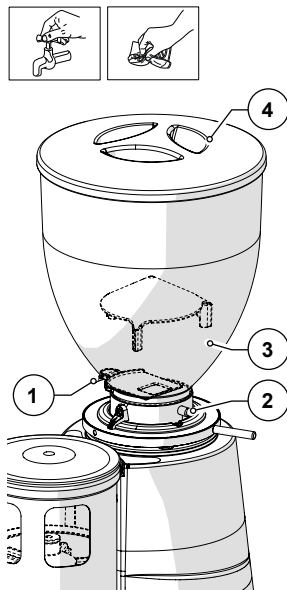
AFTER EACH USE: thoroughly clean the appliance.

On all the coffee grinder-dosers and coffee grinders

- Close the shutter (Item 1) loosen the fixing screw (Item 2) and remove the hopper (Item 3) from the appliance.
- Remove the lid (Item 4) from the hopper and empty out all the coffee beans contained inside. It is advisable to pour the coffee back into the bag of origin and to close it hermetically to preserve its aroma.
- Clean the internal and external surfaces of the hopper using hot water and a neutral PH non-perfumed detergent and degreaser suitable for the food sector. Do not use abrasive sponges and/or aggressive detergents that could damage the surfaces of the hopper.
- Dry the washed parts thoroughly using a soft, dry cloth.



ATTENTION! The hopper cannot be washed in the dishwasher.

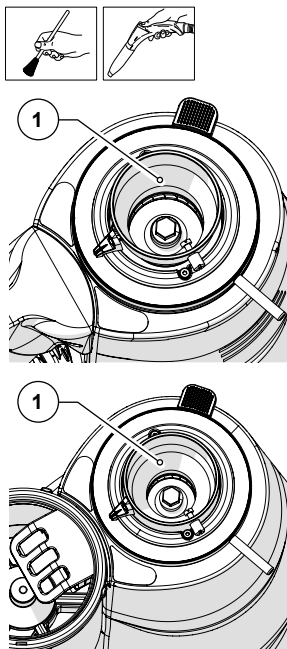


On all the coffee grinder-dosers and coffee grinders

- With a brush with soft bristles (clean and sanitised) and a vacuum cleaner, remove the beans and coffee powder residues from the grinding chamber (Item 1).



ATTENTION! Do not use water and/or detergents to clean the grinding chamber and the grinders.

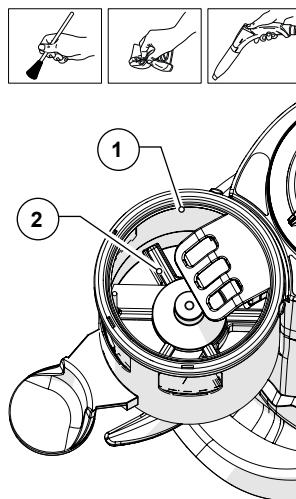


Only on the grinder-dosers

- Remove the lid from the dispenser and using a soft bristle brush (clean and sanitised) and a vacuum cleaner, remove the coffee powder residues from the container (Item 1) and from the dosing star unit (Item 2).

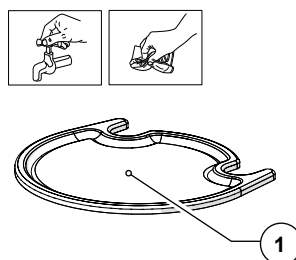


ATTENTION! Do not use water and/or detergents to clean the dispenser.

**Only on the grinder-dosers**

Wash the coffee drip tray (Item 1) with hot water and a non-perfumed detergent and degreaser with a neutral PH and specific for the food sector.

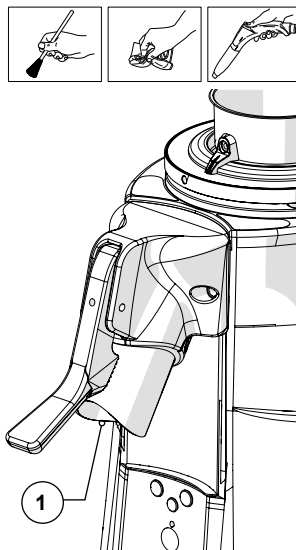
Dry with a soft cloth.

**Only on the coffee grinders**

With a toothbrush or a soft bristle brush (clean and sanitised) clean the inside of the coffee outlet pipe (Item 1).



ATTENTION! Do not use water and/or detergents to clean the outlet pipe.



On all the coffee grinder-dosers and coffee grinders

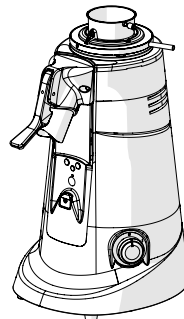
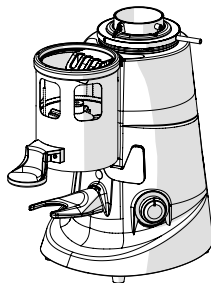
- The external cleaning of the machine body must be performed using soft cloths and products suitable for the food sector.



ATTENTION! Do not use abrasive sponges and/or aggressive products that can damage the external surfaces of the machine.



ATTENTION! It is forbidden to use jets of water or steam to clean the machine body.

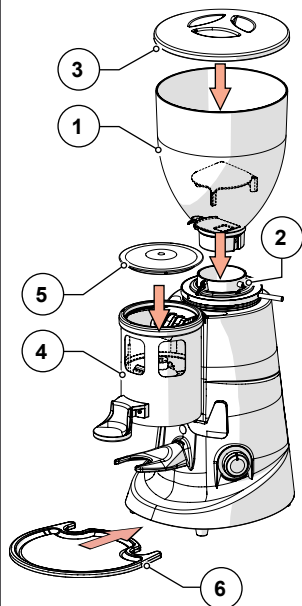
**On all the coffee grinder-dosers and coffee grinders**

- After cleaning, reassemble the hopper (e.g. Item 1) on the grinding chamber and lock it with the relative fixing screw (e.g. Item 2).
- Close the hopper with the relative lid (e.g. Item 3).

Only on the grinder-dosers

- Close the dispenser (Item 4) with the relative lid (Item 5).
- Position the coffee drip tray (Item 6) at the base of the coffee grinder-doser.

The appliance is ready to be used again after being electrically powered and filled with coffee beans.



6.1.2 Supply cable status check

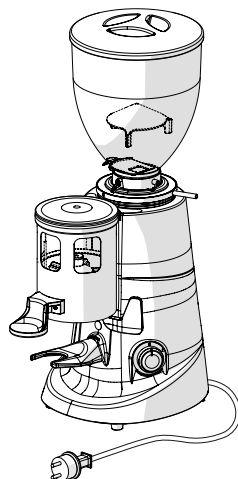
AFTER EACH USE: check the power cable.

On all the coffee grinder-dosers and coffee grinders

- With the cable disconnected from the power socket, check visually and by touch that the protective sheath is intact, that the wires are not exposed and that the plug is not damaged.



ATTENTION! If damage is found to the power supply cable, replace it with one of the same characteristics.



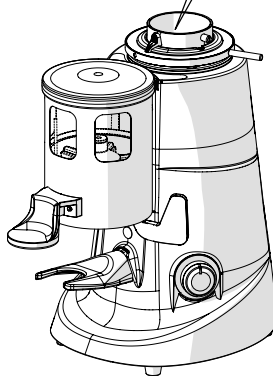
6.1.3 Thorough cleaning of the grinders

EVERY MONTH: perform thorough cleaning of the grinders

On all the coffee grinder-dosers and coffee grinders

Thorough cleaning of the grinders must be carried out once a month (or when necessary), using specific products for cleaning coffee grinder-dosers and/or coffee grinders readily available on the market (e.g. the PULY GRIND detergent).

- Thorough cleaning must be carried out at the end of use (see paragraph 6.1.1), with the machine without coffee and without the supply hopper.
- Cleaning of the grinders is performed by pouring a dose of product into the (completely empty) grinding chamber and starting grinding. During grinding, the product (in grains or crystals) regenerates the grinders, completely removing any coffee deposits, encrustations, moulds and fatty deposits from their surfaces, absorbing the oil and destroying any rancid part without leaving residues.
- In this way, regeneration takes place without the need to disassemble the grinders and without having to change the set grinding position.

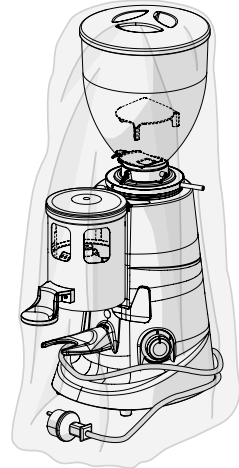


6.1.4 Storing the appliance

If the appliance is not used for long periods (e.g. holidays, annual leave, etc.), it is advisable to carry out the following cleaning operations to keep it in a good condition and to avoid possible problems upon subsequent restart.

WHEN NECESSARY: cleaning and storage

- Perform thorough cleaning of the appliance as reported in Para. 6.1.1.
- Thoroughly clean the grinders as reported in Para. 6.1.3.
- Unplug the power cord from the power outlet.
- Cover the appliance with a cloth to protect it from dust and dirt.



6.1.5 Replacing the grinders

The frequency recommended by Fiorenzato M.C. S.r.l. for the replacement of the grinders varies according to the model of appliance in your possession and the type of grinders installed. For an indication of the replacement frequency, expressed in kilograms of ground coffee, refer to the technical data tables in paragraphs 2.5.3 and 2.5.4.



ATTENTION! Replacement of the grinders must be carried out by a qualified operator or entrusted to specialist technicians using original spare parts.

6.2 Extraordinary maintenance

There are no scheduled extraordinary maintenance operations for coffee grinder-dosers and coffee grinders. However, if there are any breakages and/or malfunctions not covered in this section “7 ANOMALIES - CAUSES - REMEDIES”, do not intervene on the appliance on your own initiative but inform your local dealer who will contact the after-sales service of Fiorenzato M.C. S.r.l. to resolve the problem.