

FELLOW®

OPUS™

Conical Burr Grinder

Broyeur conique Opus

Molinillo de Placas Cónicas Opus

SAFETY AND MAINTENANCE

SÉCURITÉ ET ENTRETIEN

SEGURIDAD Y MANTENIMIENTO

**READ ALL INSTRUCTIONS.
DO NOT THROW AWAY THIS SAFETY GUIDE.**

OPUS CONICAL BURR GRINDER

Fellow Industries Inc.
Fellowproducts.com
Email: hello@fellowproducts.com
San Francisco, CA 94110

Product Name: Opus Conical Burr Grinder
Patents and Patents Pending: fellowproducts.com/pages/patents
2-Year Limited Warranty | Designed in San Francisco, Made in China

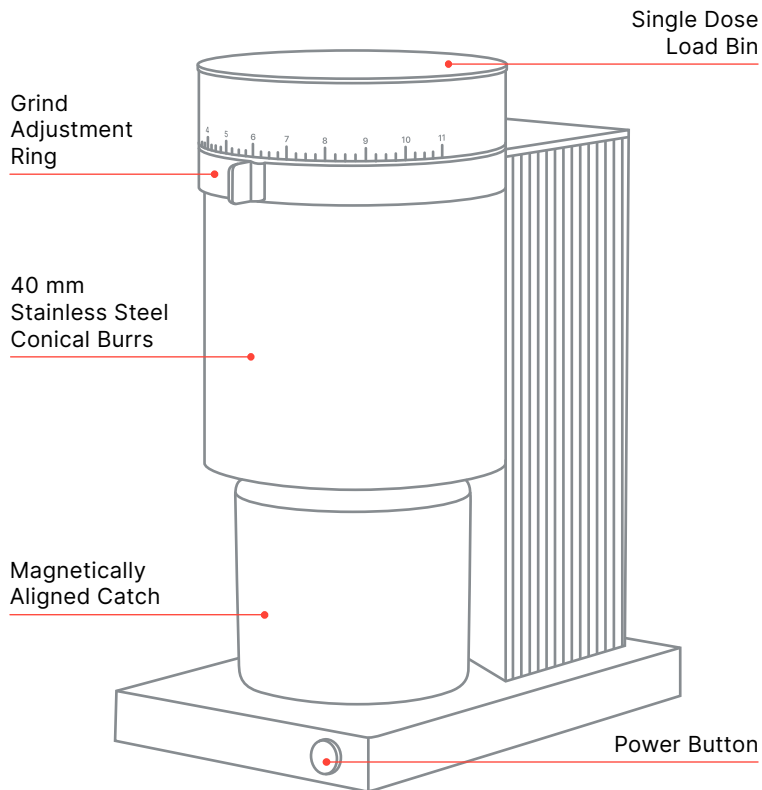
MODEL	SPECIFICATIONS
APAAUS	120V 60Hz 150W 1.25A Weight: 2.27 kg / 5.0 lbs Dimensions (LxWxH): 210 mm x 129 mm x 268 mm Grinds Capacity: 100 g Cord length: 1 m



**THIS PRODUCT IS FOR
USA AND CANADA: HOUSEHOLD USE ONLY**

More info at [Fellowproducts.com/pages/gear-guides](https://fellowproducts.com/pages/gear-guides)

Product Overview



IMPORTANT SAFEGUARDS

Before use, please read and follow these safety warnings carefully and use the grinder properly. These safety warnings are indicated for the safe and proper use of this product to prevent danger to the user or others and damage to property. When using electrical appliances, basic safety precautions should always be followed, including the following:

GENERAL

- Read all instructions.
- After unpacking the grinder, dispose carefully of the plastic bags and other packaging so that children and others cannot reach them.
- Remove and recycle or discard all stickers, descriptive labels, cable ties, and packing materials, including static stickers and hang tags with ties.
- Never place fingers into the grind chamber while product is plugged in.
- Do not place any utensils in the grinder or grind chute.
- Do not tamper with the finger guard covering the chute.
- This product contains neodymium magnets, one inside the base and one inside the catch. Always keep a safe distance (at least 3.9 in / 10 cm) between magnets and all objects that can be damaged by magnetism.
- Do not use the magnetic catch on top of an electronic scale. The magnetic catch may interfere with the accuracy of or even damage an electronic scale.

ELECTRICAL

- To protect against risk of electric shock, do not immerse cord, plug, or any other part of the grinder in water or other liquid.

IMPORTANT

- For best performance, operate this appliance for less than 90 seconds per grind cycle with a minimum of 90 seconds rest time maintained between two continuous cycles.
 - This grinder cannot be operated for more than a total of 6 minutes within any 10 minute time window. If the working time exceeds 6 minutes, in order to prevent overheating, the grinder is programmed to automatically shut off for a rest period of 30 minutes.
- The use of attachments not recommended or sold by the manufacturer may cause fire, electric shock, or injury.
 - Use only with AC current and the correct voltage. Ensure that your main supply voltage is the same as that marked on the underside of your grinder. To avoid an electrical overload, do not operate another high-wattage appliance on the same circuit.
 - This appliance has a polarized plug (one blade is wider than the other). To reduce the risk of electric shock, this plug will fit a polarized outlet only one way. If the plug does not fully fit in the outlet, reverse the plug. If it still does not fit, contact a qualified electrician. Do not modify the plug in any way.
 - A short power supply cord is provided to reduce the risk of becoming entangled in or tripping over a longer cord. If a longer cord is necessary, an appropriate extension cord may be used. The electrical rating of the extension cord must be equal to or greater than the rating of this appliance.
 - Take care to arrange cords to not drape over the countertop or tabletop where they can be pulled on by children or tripped over.
 - Do not operate the grinder with a damaged cord or plug or if the grinder malfunctions, or is dropped or damaged in any manner. Return the damaged appliance to the nearest authorized service facility for examination, repair, or adjustment.

- To avoid an electrical circuit overload, do not use any high wattage appliance on the same circuit with this appliance.
- To reduce the risk of fire or electric shock, do not remove bottom cover from base, or disassemble base of the grinder in any way. There are no user-serviceable parts inside. Opening the base of the grinder will void the warranty. Repair should be done by authorized service personnel only.

USAGE

- This appliance is intended for household use only. Use for anything other than the intended use will void the warranty.
- Do not use outdoors.
- Do not operate in the presence of explosive and/or flammable fumes.
- Before first use, wipe body of the grinder with a soft, damp cloth. Wipe down magnetically aligned catch and catch lid and dry thoroughly.
- Do not place where the grinder could touch any other source of heat. For example, on or near a hot gas burner or electric burner, in a heated oven, or in a microwave.
- Grinder must be operated on a dry, flat surface away from the edge of the counter to prevent accidental tipping. Vibration during operation may cause the grinder to move.
- Check the load bin for presence of foreign objects before using.
- Use only whole bean coffee in the grinder. Do not put coffee that has already been ground into the grinder. Re-grinding coffee that has already been ground can cause your grinder to wear out faster and will void the warranty.
- Do not put any substances other than coffee beans or grinder cleaner into the grinder.
- Never move the grinder while the unit is in use.

- Never leave the grinder unattended when in use.
- Take care to not tip grinder while in use; this could damage the internal components.
- Avoid contacting moving parts of the grinder. Do not attempt to defeat the safety interlock mechanism.
- This appliance is not intended for use by persons (including children) with reduced physical, sensory, or mental capabilities, or lack of experience and knowledge, unless they are closely supervised and instructed concerning use of the appliance by a person responsible for their safety. Close supervision is necessary when any appliance is used by or near children. Children should be supervised to ensure that they do not play with the appliance.
- Turn the appliance OFF, then unplug from the outlet when not in use, before assembling or disassembling parts, and before cleaning. To unplug, grasp the plug and pull from the outlet. Never pull from the power cord.

SAVE THESE INSTRUCTIONS

CLEANING AND MAINTENANCE

- Always unplug power cord from power outlet before cleaning.
- Before cleaning, we recommend running the empty grinder for 10 seconds to help clear beans/grounds from the burrs and grinds chute.
- Allow parts to stop moving before cleaning the grinder. Do not use the grinder without lid properly placed on load bin.
- Only clean the outside of the grinder with a damp cloth.

- If the grinder is used daily, the burrs should be cleaned at least every three months using tablets (see Automatic Cleaning to the right) or with a stiff brush.
- To clean burrs, remove the burrs following the instructions in the “Removing and Replacing the Grinding Burrs” section.
- Do not immerse the grinder in water. Do NOT wash the burrs with water.
- Using a stiff brush, gently brush coffee dust off the burrs and replace burrs following the instructions in the “Removing and Replacing the Grinding Burrs” section.
- To clean the catch, wipe gently with a soft, damp cloth. Dry with a dry cloth after cleaning.
- Wipe grinder exterior and load bin with a soft, damp cloth.

AUTOMATIC CLEANING

- A fast way to clean your grinder is using grinder cleaning tablets like Urnex Grindz™ grinder cleaning tablets. These are designed to prevent clogging by freeing coffee particles stuck to the burrs and absorbing/removing odors and coffee oil residue.
- To use cleaning tablets, make sure all beans are run through your grinder by running it for 10-20 seconds. Use the cleaning tablet instructions to place appropriate amount into grinder. Adjust the grind setting to 11 and press the power button to run the grinder.

CAUTION!

- Do not use abrasive pads, harsh chemicals, or spray cleaner chemicals to clean. These may damage the surface of the appliance.
- Do not put any part of your grinder in the dishwasher.

Grind all of the tablets into the catch. Once complete, we recommend grinding approximately 30 g coffee to remove any tablet residue. Discard the ground tablets/coffee from the catch and clean.

CLEARING A JAMMED GRINDER

On occasion, Opus Conical Burr Grinder may become jammed and stop grinding. When this occurs, the grinder will stop grinding before it has finished all the coffee in the hopper and beep “SOS” (save our ship).

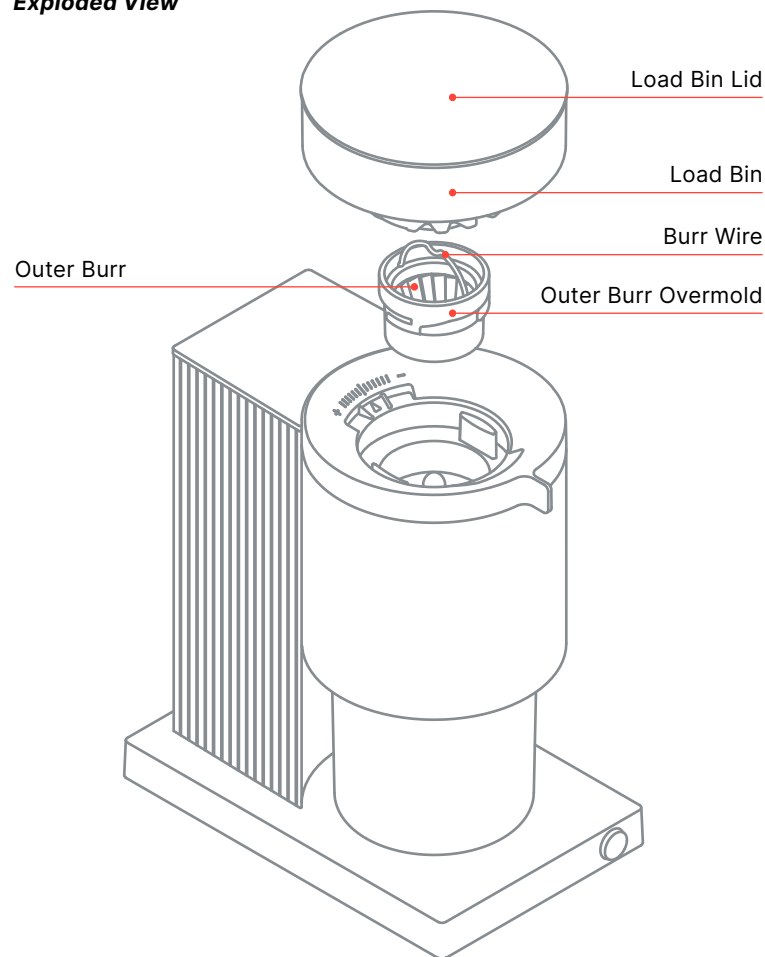
Minor jams can be cleared as follows:

1. Check that the catch is empty. Rotate the grind adjustment ring to setting 11.
2. Tap the grinder firmly on the side several times and shake.
3. Press the power button and continue to firmly tap the side of the grinder for several seconds. If grinding resumes, the jam is cleared. If not, proceed to the instructions for clearing a major jam.

Major jams can be cleared as follows:

1. Unplug the grinder.
2. Start by removing the load bin of the grinder. The load bin is locked in place with a twist-lock mechanism; simply twist counter-clockwise (to the left) to unlock it from the grinder, then lift away.
3. Remove the outer burr by grabbing and lifting the burr wire (see **Diagram A**), twisting counterclockwise (to the left) until it unlocks from the grind chamber, then lift away.
4. Clear coffee from the grind chamber and discard.
5. Inspect both burrs for coffee beans or foreign materials (rocks, sticks, unroasted coffee beans, etc.) that may be stuck. If necessary, remove the inner burr as outlined in the “Removing and Replacing the Grinding Burrs” section below. Remove all stuck

Diagram A:
Exploded View



material and clean burrs as instructed in the “Cleaning” section of this manual.

6. Reinstall burr(s) and load bin. Run grinder for 5 seconds to check that it operates as expected. The grinder should spin quietly and at an even speed. If the grinder is making an unexpected noise, repeat this process and carefully inspect to ensure that all coffee particles have been cleared out.
7. If the problem persists, please contact Fellow customer service at help.fellowproducts.com and submit a request.

REMOVING AND REPLACING THE GRINDING BURRS

CAUTION: The grinding burrs are sharp, please handle carefully!

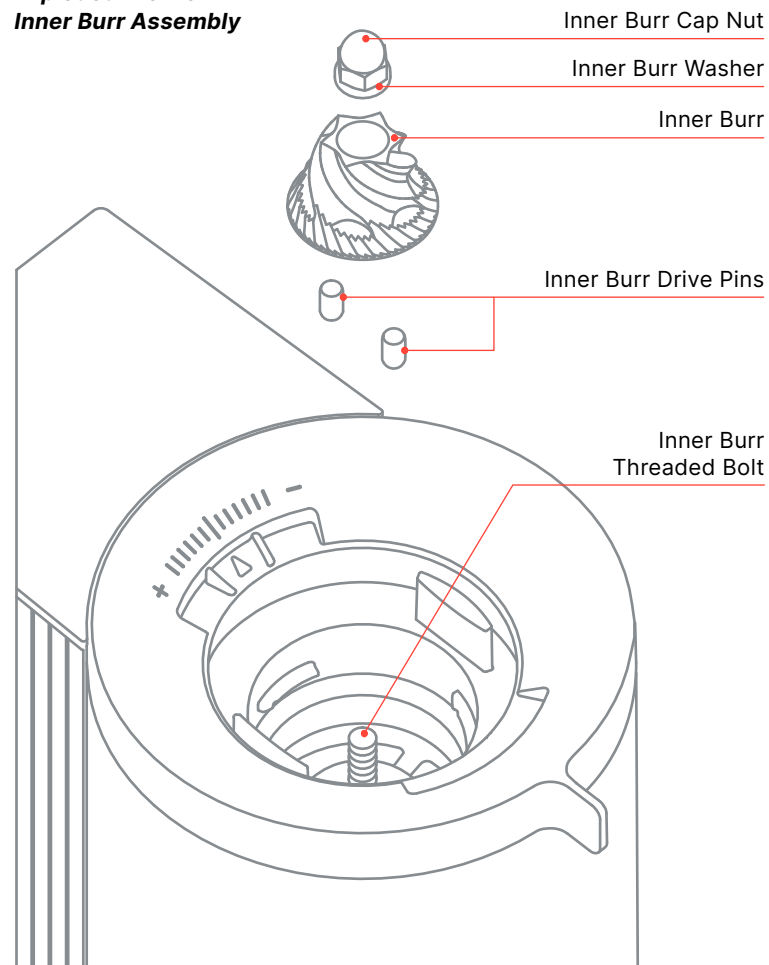
1. Unplug your grinder and empty it of coffee.
2. Remove the load bin by twisting it counterclockwise (to the left) until it unlocks from the grinder, and lift away.
3. Next remove the outer burr. The outer burr is permanently molded into a plastic carrier with a wire handle attached. This assembly is locked in the grind chamber with a twist-lock mechanism similar to the hopper; simply grab the wire handle and twist counterclockwise (to the left) until the burr carrier disengages from the grinder, then lift away.

If you are just performing regular cleaning, do not disassemble the burrs further. Using a stiff brush, gently brush coffee dust off of the burrs and out of the grind chamber, then replace the outer burr.

If you are replacing the burrs or doing a deep clean/jam clearing, continue onto the next steps (see *Diagram B*).

4. The inner burr is attached to the main rotor gear. To remove the inner burr, start by using a 6 mm hex-head driver to remove the acorn nut and washer that holds it in place. The nut is left-hand threaded, so turn the driver clockwise (to the right) to loosen it. If

Diagram B:
Exploded View of
Inner Burr Assembly



there is ground coffee build-up on the nut that interferes with its removal, use a small brush to clear the coffee before attempting to remove it.

Carefully remove the inner burr by lifting it off the screw boss and threaded bolt protruding from the rotor gear.

5. There are two steel drive pins between the inner burr and rotor gear. These pins can also be removed for extra cleaning. Be sure not to lose them, as they transfer rotational motion from the rotor to the inner burr and are essential for proper functionality.

To replace the burrs, repeat these steps in reverse order.

Make sure that the drive pins are in place before reattaching the inner burr. Also ensure that the outer burr carrier and load bin are fully locked into place before resuming operation.

WARRANTY

For service, repair, or any questions regarding your Opus Conical Burr Grinder, please visit **Fellowproducts.com/pages/gear-guides**. Do NOT mail the product back to the manufacturer or bring it to a service center without first talking to a Fellow customer service representative.

2-Year Limited Warranty

Register For An Additional Year*

Fellow warrants this product against any defects that are due to faulty material or workmanship for a two-year period after the original date of consumer purchase. For an additional year of coverage,* register your grinder with Fellow at **register.fellowproducts.com**.

**Available on electric products sold to US customers only.*

This warranty is valid only for:

The original consumer.

When the grinder is purchased through authorized retailers.

With the original sales receipt for proof of purchase to make your warranty claim.

This warranty does not include damage to the product resulting from:

Damage caused by accident, misuse, or customer mistakes from repairs that occur from not carefully following the instructions provided by Fellow.

Operation with the wrong type of current or voltage.

Failure to follow cleaning instructions for the grinder.

Failure to comply with any safeguards listed in the warnings and instructions of this document.

Grinding anything other than whole roasted coffee beans or grinder cleaning tablets.

If the product should become defective within the warranty period, or you have questions regarding warranty or service, visit us at **help.fellowproducts.com** and submit a request.

**Find more information at:
Fellowproducts.com/pages/gear-guides**

LISEZ TOUTES LES INSTRUCTIONS.
NE PAS JETER CE MANUEL DE SÉCURITÉ.

BROYEUR À MEULES CONIQUES OPUS

Fellow Industries Inc.
Fellowproducts.com
Courriel : hello@fellowproducts.com
San Francisco, CA 94110

Nom du produit : broyeur conique Opus

Brevets et brevets en instance : fellowproducts.com/pages/patents

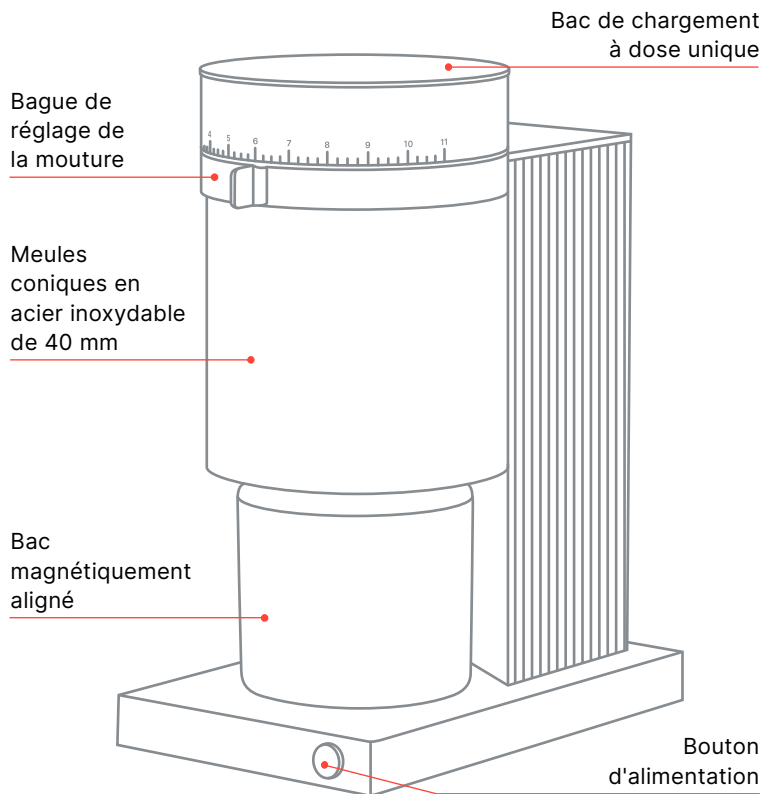
Garantie limitée de 2 ans | Conçu à San Francisco, fabriqué en Chine

MODÈLE	SPÉCIFICATIONS
APAAUS	120V 60Hz 150W 1.25A Poids : 2.27 kg / 5.0 lbs Dimensions (LxLxH) : 210 mm x 129 mm x 268 mm Capacité du broyeur : 100 g Longueur du cordon d'alimentation : 1 m



**CE PRODUIT EST POUR ÉTATS-UNIS ET CANADA :
USAGE DOMESTIQUE UNIQUEMENT**

Plus d'informations sur [Fellowproducts.com/pages/gear-guides](https://fellowproducts.com/pages/gear-guides)



PRÉCAUTIONS IMPORTANTES

Avant utilisation, veuillez lire et suivre attentivement ces avertissements de sécurité et utiliser le broyeur correctement. Ces avertissements de sécurité sont indiqués pour une utilisation sûre et appropriée de ce produit afin d'éviter tout danger pour l'utilisateur ou les autres et les dommages matériels. Lors de l'utilisation d'appareils électriques, des précautions de sécurité de base doivent toujours être suivies, notamment les suivantes :

GÉNÉRAL

- Lisez toutes les instructions
- Après avoir déballé le moulin, jetez soigneusement les sacs en plastique et autres emballages afin que les enfants et les autres personnes ne puissent pas les atteindre.
- Retirez et recyclez ou jetez tous les autocollants, étiquettes descriptives, attaches de câble et matériaux d'emballage, y compris les autocollants statiques et les étiquettes volantes avec attaches.
- Ne placez jamais les doigts dans la chambre de broyage lorsque le produit est branché.
- Ne placez aucun ustensile dans le moulin ou la goulotte de mouture.
- Ne modifiez pas le protège-doigts recouvrant la goulotte.
- Ce produit contient des aimants en néodyme, un à l'intérieur de la base et un à l'intérieur du loquet. Gardez toujours une distance de sécurité (au moins 3,9 pouces / 10 cm) entre les aimants et tous les objets pouvant être endommagés par le magnétisme.
- N'utilisez pas le bac aligné magnétiquement au-dessus d'une balance électronique. Le bac à alignement magnétique peut interférer avec la précision ou même endommager une balance électronique.

IMPORTANT!

- Pour de meilleures performances, utilisez cet appareil pendant moins de 90 secondes par cycle de broyage avec un temps de repos minimum de 90 secondes entre deux cycles continus.
- Ce broyeur ne peut pas être utilisé pendant plus de 6 minutes au total dans une fenêtre de temps de 10 minutes. Si le temps de travail dépasse 6 minutes, afin d'éviter une surchauffe, le broyeur est programmé pour s'éteindre automatiquement pendant une période de repos de 30 minutes.

ÉLECTRIQUE

- Pour vous protéger contre les risques d'électrocution, n'immergez pas le cordon, la fiche ou toute autre partie du broyeur dans l'eau ou tout autre liquide.
- L'utilisation d'accessoires non recommandés ou non vendus par le fabricant peut provoquer un incendie, un choc électrique ou des blessures.
- Utiliser uniquement avec du courant alternatif et la tension correcte. Assurez-vous que votre tension d'alimentation principale est la même que celle indiquée sous votre broyeur. Pour éviter une surcharge électrique, ne faites pas fonctionner un autre appareil à haute puissance sur le même circuit.
- Cet appareil a une fiche polarisée (une lame est plus large que l'autre). Pour réduire le risque d'électrocution, cette fiche s'adapte à une prise polarisée dans un seul sens. Si la fiche ne rentre pas complètement dans la prise, inversez la fiche. Si cela ne rentre toujours pas, contactez un électricien qualifié. Ne modifier la fiche en aucun cas.
- Un cordon d'alimentation court est fourni pour réduire le risque de s'emmêler ou de trébucher sur un cordon plus long. Si un cordon plus long est nécessaire, une rallonge appropriée peut être utilisée.

La cote électrique de la rallonge doit être égale ou supérieure à la cote de cet appareil.

- Veillez à ce que les cordons ne pendent pas sur le comptoir ou la table où ils pourraient être tirés par des enfants ou trébuchés.
- N'utilisez pas le moulin avec un cordon ou une prise endommagée ou si le moulin fonctionne mal, ou est tombé ou endommagé de quelque manière que ce soit. Retournez l'appareil endommagé au centre de service agréé le plus proche pour examen, réparation ou réglage.
- Pour éviter une surcharge du circuit électrique, n'utilisez aucun appareil à haute puissance sur le même circuit que cet appareil.
- Pour réduire le risque d'incendie ou d'électrocution, ne retirez pas le couvercle inférieur de la base et ne démontez en aucune façon la base du broyeur. Il n'y a pas de pièces réparables par l'utilisateur à l'intérieur. L'ouverture de la base du broyeur annulera la garantie. La réparation doit être effectuée uniquement par le personnel de service autorisé.

UTILISATION

- Cet appareil est destiné à un usage domestique uniquement. L'utilisation pour autre chose que l'utilisation prévue annulera la garantie.
- Ne pas utiliser à l'extérieur.
- Ne pas faire fonctionner en présence de fumées explosives et/ou inflammables.
- Avant la première utilisation, essuyez le corps du moulin avec un chiffon doux et humide. Essuyez le bac aligné magnétiquement et le couvercle du bac et séchez soigneusement.
- Ne placez pas le broyeur à un endroit où il pourrait toucher toute autre source de chaleur. Par exemple, sur ou à proximité d'un brûleur à gaz chaud ou d'un brûleur électrique, dans un four chauffé ou dans un micro-ondes.

- Le broyeur doit être utilisé sur une surface plane et sèche loin du bord du comptoir pour éviter tout basculement accidentel. Les vibrations pendant le fonctionnement peuvent faire bouger l'appareil.
- Vérifiez le bac de chargement pour la présence d'objets étrangers avant d'utiliser.
- N'utilisez que du café en grains entiers dans le moulin. Ne mettez pas de café déjà moulu dans le moulin. Re-moudre du café qui a déjà été moulu peut entraîner une usure plus rapide de votre moulin et annulera la garantie.
- Ne mettez aucune substance autre que des grains de café ou un nettoyant pour moulin dans le moulin.
- Ne déplacez jamais le broyeur pendant qu'il est en cours d'utilisation.
- Ne jamais laisser le broyeur sans surveillance lorsqu'il est utilisé.
- Veillez à ne pas faire basculer le broyeur pendant son utilisation ; cela pourrait endommager les composants internes.
- Évitez tout contact avec les pièces mobiles du broyeur. N'essayez pas de défaire le mécanisme de verrouillage de sécurité.
- Cet appareil n'est pas destiné à être utilisé par des personnes (y compris les enfants) ayant des capacités physiques, sensorielles ou mentales réduites, ou un manque d'expérience et de connaissances, à moins qu'elles ne soient étroitement surveillées et instruites concernant l'utilisation de l'appareil par une personne responsable de leur sécurité. Une surveillance étroite est nécessaire lorsqu'un appareil est utilisé par ou à proximité d'enfants. Les enfants doivent être surveillés pour s'assurer qu'ils ne jouent pas avec l'appareil.
- Éteignez l'appareil, puis débranchez-le de la prise lorsqu'il n'est pas utilisé, avant d'assembler ou de désassembler des pièces et avant de le nettoyer. Pour débrancher, saisissez la fiche et tirez de la prise. Ne tirez jamais sur le cordon d'alimentation.

CONSERVEZ CES INSTRUCTIONS

NETTOYAGE ET ENTRETIEN

- Débranchez toujours le cordon d'alimentation de la prise de courant avant de nettoyer
- Avant le nettoyage, nous vous recommandons de faire fonctionner le moulin vide pendant 10 secondes pour aider à éliminer les grains/marcs des meules et de la goulotte de broyage.
- Laissez les pièces s'arrêter de bouger avant de nettoyer la meuleuse. Ne pas utiliser le moulin sans le couvercle correctement placé sur le bac de chargement.
- Nettoyez uniquement l'extérieur du moulin avec un chiffon humide.
- Si le broyeur est utilisé quotidiennement, les meules doivent être nettoyées au moins tous les trois mois à l'aide de tablettes (voir « Nettoyage automatique ») ou avec une brosse dure.
- Pour nettoyer les meules, retirez-les en suivant les instructions de la section "Retrait et remplacement des meules de meulage".
- Ne plongez pas le broyeur dans l'eau. Ne PAS laver les meules avec de l'eau
- À l'aide d'une brosse dure, brossez délicatement la poussière de café des meules et remplacez-les en suivant les instructions de la section "Retrait et remplacement des meules de meulage".
- Pour nettoyer le bac aligné, essuyez-le délicatement avec un chiffon doux et humide. Sécher avec un chiffon sec après le nettoyage.

ATTENTION!

- N'utilisez pas de tampons abrasifs, de produits chimiques agressifs ou de produits chimiques nettoyants en aérosol pour nettoyer. Ceux-ci peuvent endommager la surface de l'appareil.
- Ne mettez aucune pièce de votre moulin au lave-vaisselle.

- Essayez l'extérieur du moulin et le bac de chargement avec un chiffon doux et humide

NETTOYAGE AUTOMATIQUE

- Un moyen rapide de nettoyer votre moulin consiste à utiliser des pastilles de nettoyage pour moulin comme les pastilles de nettoyage pour moulin Urnex Grindz™. Ceux-ci sont conçus pour éviter le colmatage en libérant les particules de café collées aux meules et en absorbant/éliminant les odeurs et les résidus d'huile de café.
- Pour utiliser des tablettes de nettoyage, assurez-vous que tous les grains passent dans votre moulin en le faisant fonctionner pendant 10 à 20 secondes. Utilisez les instructions de la tablette de nettoyage pour placer la quantité appropriée dans le broyeur. Réglez le réglage de mouture sur 11 et appuyez sur le bouton d'alimentation pour faire fonctionner le broyeur. Broyez tous les comprimés dans la prise. Une fois terminé, nous vous recommandons de moudre environ 30 g de café pour éliminer tout résidu de tablette. Jetez les comprimés/café moulus du bac aligné et nettoyez.

DÉGAGEMENT D'UN BROYEUR BLOQUÉ

À l'occasion, le broyeur à meules coniques Opus peut se coincer et cesser de broyer. Lorsque cela se produit, le moulin s'arrêtera de moudre avant d'avoir fini tout le café dans la trémie et émettra un bip "SOS" (sauvons notre navire).

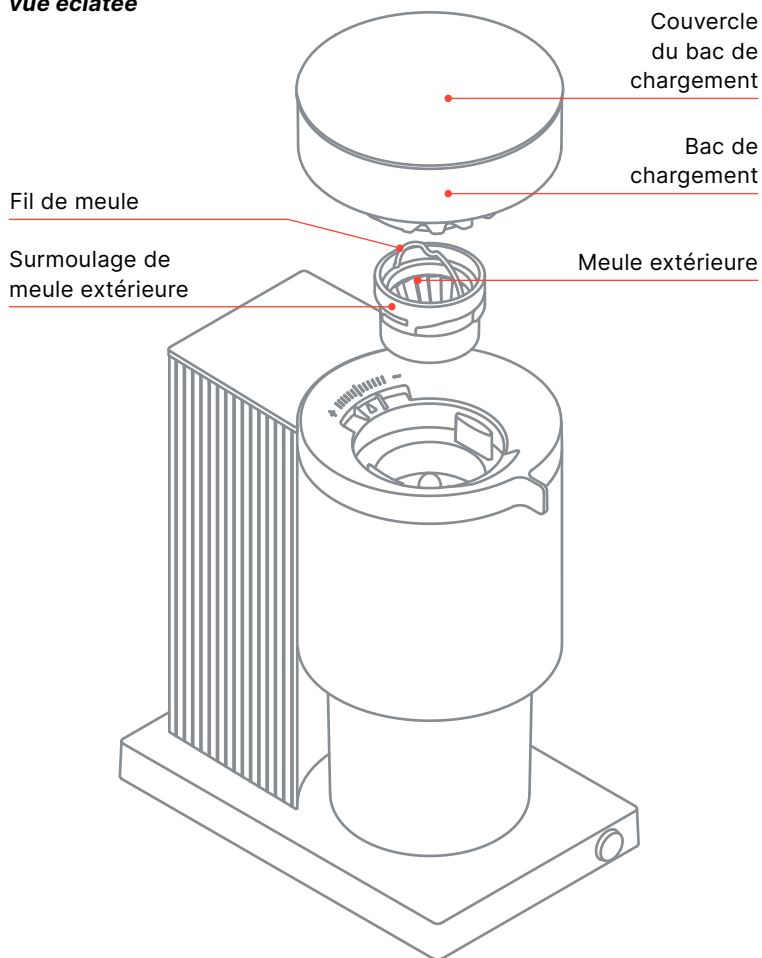
Les bourrages mineurs peuvent être éliminés comme suit:

1. Vérifiez que la prise est vide. Tournez la bague de réglage de la mouture sur le réglage 11.
2. Tapotez fermement le moulin sur le côté plusieurs fois et secouez.
3. Appuyez sur le bouton d'alimentation et continuez à tapoter fermement le côté du moulin pendant plusieurs secondes. Si le broyage reprend, le bourrage est éliminé. Si ce n'est pas le cas, passez aux instructions pour éliminer un bourrage majeur.

Les bourrages majeurs peuvent être éliminés comme suit:

1. Débranchez l'appareil.
2. Commencez par retirer le bac de chargement du broyeur. Le bac de chargement est verrouillé en place avec un mécanisme de verrouillage par rotation ; tournez simplement dans le sens inverse des aiguilles d'une montre (vers la gauche) pour le déverrouiller du broyeur, puis soulevez-le.
3. Retirez la meule extérieure en saisissant et en soulevant le fil de meule (**voir schéma A**), en le tournant dans le sens antihoraire (vers la gauche) jusqu'à ce qu'il se déverrouille de la chambre de broyage, puis soulevez-le.
4. Videz le café de la chambre de mouture et jetez-le.
5. Inspectez les deux meules à la recherche de grains de café ou de corps étrangers (pierres, bâtons, grains de café non torréfiés, etc.) susceptibles d'être collés. Si nécessaire, retirez la meule interne comme indiqué dans la section « Retrait et remplacement des meules de meulage » ci-dessous. Retirez tous les matériaux collés et nettoyez les meules comme indiqué dans la section « Nettoyage » de ce manuel.
6. Réinstallez la ou les meules et chargez le bac. Faites fonctionner le broyeur pendant 5 secondes pour vérifier qu'il fonctionne comme prévu. Le broyeur doit tourner silencieusement et à une vitesse régulière. Si le moulin fait un bruit inattendu, répétez ce processus et inspectez soigneusement pour vous assurer que toutes les particules de café ont été éliminées.
7. Si le problème persiste, veuillez contacter le service client Fellow à l'adresse help.fellowproducts.com et soumettre une demande.

Schéma A :
vue éclatée



RETRAIT ET REMPLACEMENT DES MEULES DE MEULAGE

ATTENTION : les meules de broyage sont tranchantes, veuillez les manipuler avec précaution!

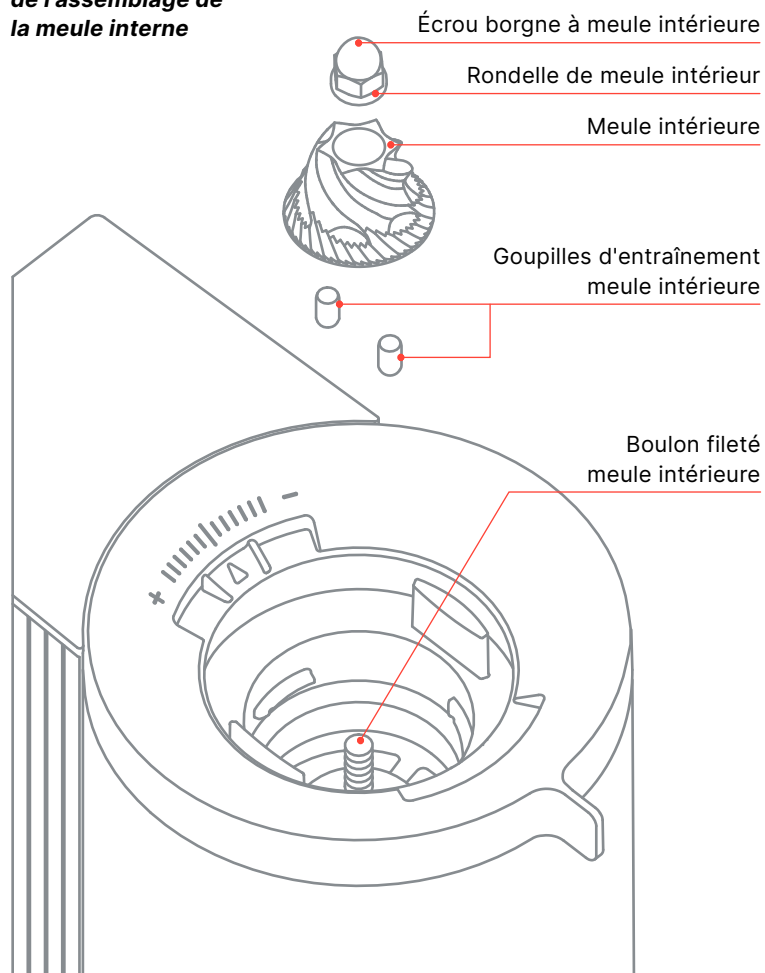
1. Débranchez votre moulin et videz-le de café.
2. Retirez le bac de chargement en le tournant dans le sens inverse des aiguilles d'une montre (vers la gauche) jusqu'à ce qu'il se déverrouille du broyeur, puis soulevez-le.
3. Retirez ensuite la meule extérieure. La meule extérieure est moulée de manière permanente dans un support en plastique avec une poignée en fil attachée. Cet ensemble est verrouillé dans la chambre de broyage avec un mécanisme de verrouillage par rotation similaire à la trémie ; saisissez simplement la poignée en fil métallique et tournez dans le sens antihoraire (vers la gauche) jusqu'à ce que le support de meule se désengage de la meuleuse, puis soulevez-le.

Si vous effectuez simplement un nettoyage régulier, ne démontez pas davantage les meules. À l'aide d'une brosse dure, brossez doucement la poussière de café des meules et hors de la chambre de mouture, puis remplacez la meule extérieure.

Si vous remplacez les meules ou effectuez un nettoyage en profondeur/élimination des bourrages, passez aux étapes suivantes (voir schéma B).

4. La meule intérieure est fixée à l'engrenage du rotor principal. Pour enlever la meule interne, commencez par utiliser un tournevis à tête hexagonale de 6 mm pour retirer l'écrou borgne et la rondelle qui le maintiennent en place. L'écrou est fileté à gauche, alors tournez le tournevis dans le sens des aiguilles d'une montre (vers la droite) pour le desserrer. S'il y a une accumulation de café moulu sur l'écrou qui gêne son retrait, utilisez une petite brosse pour nettoyer le café avant d'essayer de le retirer.

**Schéma B : vue éclatée
de l'assemblage de
la meule interne**



Retirez soigneusement la meule intérieure en la soulevant du bossage de la vis et du boulon fileté dépassant de l'engrenage du rotor.

5. Il y a deux goupilles d'entraînement en acier entre la meule intérieure et l'engrenage du rotor. Ces goupilles peuvent également être retirées pour un nettoyage supplémentaire. Assurez-vous de ne pas les perdre, car elles transfèrent le mouvement de rotation du rotor à la meule intérieure et sont essentielles au bon fonctionnement de l'appareil.

Pour remplacer les meules, répétez ces étapes dans l'ordre inverse.

Assurez-vous que les goupilles d'entraînement sont en place avant de remettre en place la meule intérieure. Assurez-vous également que le support de meule extérieure et le bac de chargement sont entièrement verrouillés en place avant de reprendre l'utilisation.

GARANTIE

Pour l'entretien, la réparation ou toute question concernant votre broyeur à meules coniques Opus, veuillez visiter **Fellowproducts.com/pages/gear-guides**. Ne renvoyez PAS le produit au fabricant ou ne l'apportez pas à un centre de service sans avoir d'abord parlé à un représentant du service client Fellow.

Garantie limitée de 2 ans

Fellow garantit ce produit contre tout défaut dû à un défaut de matériel ou de fabrication pendant une période de deux ans après la date d'achat initiale du consommateur.

Cette garantie n'est valable que pour:

Le consommateur d'origine.

Lorsque le broyeur est acheté auprès de revendeurs agréés.

Avec le reçu de vente original comme preuve d'achat pour faire votre demande de garantie.

Cette garantie n'inclut pas les dommages au produit résultant de:

Accident, mauvaise utilisation ou réparations effectuées par du personnel non autorisé.

Fonctionnement avec le mauvais type de courant ou de tension.

Non-respect des instructions de nettoyage du broyeur.

Non-respect des mesures de protection énumérées dans les avertissements et les instructions de ce document.

Moudre autre chose que des grains de café entiers torréfiés ou des pastilles de nettoyage pour moulin.

Si le produit devient défectueux pendant la période de garantie, ou si vous avez des questions concernant la garantie ou le service, visitez-nous à **help.fellowproducts.com** et soumettez une demande.

Pour plus d'informations, rendez-vous sur :
Fellowproducts.com/pages/gear-guides

LEA TODAS LAS INSTRUCCIONES.
NO TIRE ESTA GUÍA DE SEGURIDAD.

MOLINILLO DE PLACAS CÓNICAS OPUS

Fellow Industries Inc.
Fellowproducts.com
Correo electrónico: hello@fellowproducts.com
San Francisco, CA 94110

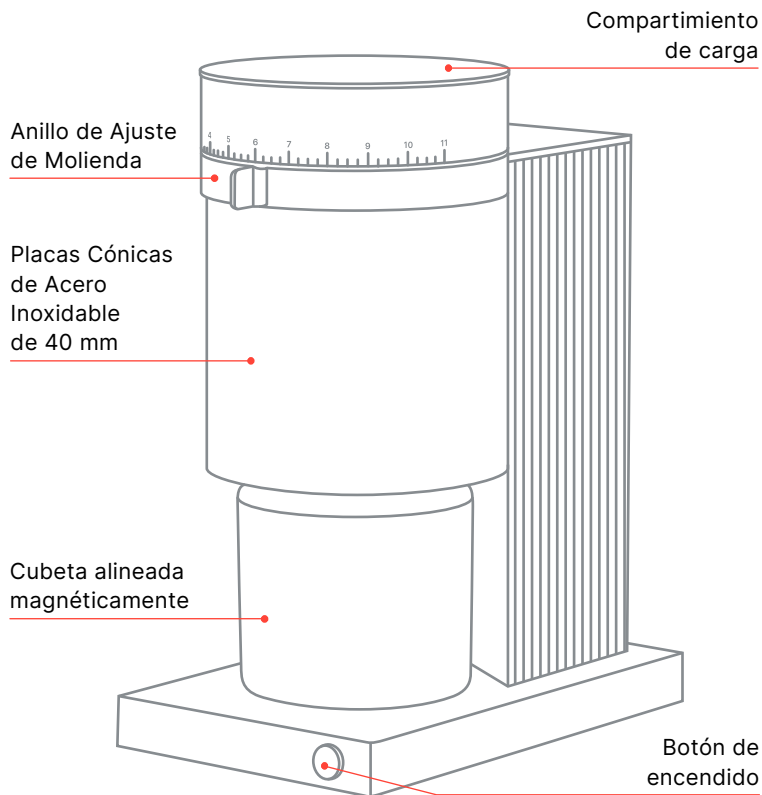
Nombre del producto: Molinillo de Placas Cónicas Opus
Patentes y Patentes Pendientes: fellowproducts.com/pages/patents
Garantía limitada de 2 años
Diseñado en San Francisco, Hecho en China

MODELO	ESPECIFICACIONES
APAAUS	120V 60Hz 150W 1.25A Peso: 2.27 kg / 5.0 lbs Dimensiones (LaxAnxAl): 210 mm x 129 mm x 268 mm Capacidad de molinillo: 100 g Longitud de cable: 1 m



**ESTE PRODUCTO ES PARA EUA Y CANADÁ:
SOLO PARA USO EN EL HOGAR**

Más información en Fellowproducts.com/gear-guides



PROTECCIONES IMPORTANTES

Antes de usar, lea y siga por favor estas advertencias de seguridad con cuidado y use el molinillo apropiadamente. Estas advertencias de seguridad son indicadas para el uso seguro y apropiado de este producto para prevenir el daño al usuario u otros daños a propiedad. Cuando use dispositivos eléctricos, se deben seguir siempre las precauciones básicas de seguridad, incluyendo las siguientes:

GENERAL

- Lea todas las instrucciones.
- Después de desembalar el molinillo, deseche cuidadosamente las bolsas plásticas y otros envoltorios de tal manera que los niños y otros no puedan alcanzarlos.
- Quite y recicle o deseche todas las pegatinas, etiquetas descriptivas, sujetacables y materiales de embalaje, incluyendo las etiquetas fijas y las y etiquetas colgantes.
- Nunca coloque los dedos en la cámara del molinillo mientras el producto esté conectado.
- No meta ningún utensilio en el molinillo o el conducto de salida.
- No altere la protección para los dedos que cubre el conducto de salida.
- Este producto contiene imanes de neodimio, uno dentro de la base y otro dentro del pestillo. Mantenga siempre una distancia segura (de al menos 3.9 pulg./10 cm) entre los imanes y todos los objetos que puedan ser dañados por el magnetismo.
- No use el cierre magnético encima de una balanza electrónica. El cierre magnético puede interferir con la precisión de la balanza electrónica e incluso dañarla.

¡IMPORTANTE!

- Para lograr su mejor desempeño, use este aparato durante menos de 90 segundos por ciclo de molienda, con un tiempo de descanso mínimo de 90 segundos entre dos ciclos continuos.
- Este molinillo no puede operar por más de un total de 6 minutos durante cualquier ventana de tiempo de 10 minutos. El molinillo está programado para apagarse automáticamente por un periodo de descanso de 30 minutos para evitar un sobrecalentamiento si el tiempo de funcionamiento excede los 6 minutos.

ELÉCTRICO

- Este dispositivo tiene un enchufe de tres puntas y con conexión a tierra, y debe estar conectado a tierra con una toma de corriente de tres puntas cuando esté en uso. Para asegurar la protección frente al riesgo de descarga eléctrica o incendio, conecte únicamente a tomas de corriente con una correcta conexión a tierra.
- No sumerja el cable de corriente, enchufe o cualquier parte del molinillo en el agua u otro líquido para protegerse contra un riesgo de descarga eléctrica.
- El uso de aditamentos que no sean recomendados o vendidos por el fabricante pueden causar incendios, descargas eléctricas o lesiones.
- Utilícelo únicamente con corriente alterna y el voltaje correcto. Asegúrese de que el voltaje de su red sea el mismo que el que está marcado en rojo debajo del molinillo. Para evitar una sobrecarga eléctrica, no opere otro dispositivo de alto voltaje en el mismo circuito.
- El conector solo se conecta de una manera en el tomacorriente. No altere los dispositivos de seguridad del conector modificándolo en forma alguna o usando un adaptador.

- Este aparato cuenta con un enchufe polarizado (una clavija más ancha que la otra). Este enchufe se ajustará a una toma polarizada solo de una forma para reducir el riesgo de descarga eléctrica. Invierta el enchufe si el enchufe no encaja completamente en la toma. Contacte a un eléctrico calificado si aun así no encaja. No modifique el enchufe de ninguna manera.
- Se suministra un cable de suministro eléctrico corto para poder reducir el riesgo de que se enrede, además de evitar tropiezos como ocurre con los cables más largos. Puede usar una extensión si necesita un cable más largo. Las especificaciones del alargador deben ser iguales o superiores a las de este dispositivo.
- Tenga cuidado al acomodar los cables de manera que no cuelguen de una cubierta o mesa donde los niños puedan tirar de él o tropezarse.
- No utilice el molinillo con un cable eléctrico o enchufe dañados o si el molinillo deja de funcionar o si el producto se cae o se daña de cualquier forma. Regrese el aparato dañado a las instalaciones de servicio autorizadas más cercanas para una examinación, reparación o ajuste.
- Para evitar un a sobrecarga eléctrica, no use ningún dispositivo de alto consumo eléctrico en el mismo circuito que el de este dispositivo.
- Para reducir el riesgo de incendio o descarga eléctrica, no retire la cubierta inferior de la base o desmonte la base del molinillo ninguna manera. No hay piezas a las cuales el usuario pueda dar mantenimiento dentro de ese espacio. Abrir la base del molinillo anulará la garantía. La reparación debe hacerse a través de personal de servicio autorizado únicamente.

UTILIZACIÓN

- Este dispositivo está diseñado para uso doméstico únicamente. Su uso para algo distinto que el uso previsto anulará la garantía.
- No está diseñado para usarse en el exterior.
- NO lo utilice en presencia de gases explosivos y/o inflamables.

- Limpie el cuerpo del molinillo con un paño suave y húmedo antes de su uso. Limpie la cubeta alineada magnéticamente al igual que la tapa y seque por completo.
- No lo coloque en ninguna superficie donde pueda entrar en contacto con otra fuente de calor. Por ejemplo, sobre un quemador de gas o eléctrico o cerca de estos, en un horno caliente o en un microondas.
- El molinillo debe utilizarse en una superficie seca y plana, lejos de cualquier borde de una superficie, para evitar caídas accidentales. La vibración durante el funcionamiento del molinillo puede hacer que se mueva.
- Revise la bandeja de carga antes de su uso por presencia de objetos extraños.
- Use solo granos de café enteros en el molinillo. No ponga café que ya haya sido molido dentro del molinillo. Volver a moler café que ya esté molido puede hacer que el molinillo se desgaste más rápidamente y anule la garantía.
- No ponga ninguna otra sustancia distinta de los granos de café y el limpiador del molinillo en su interior.
- Nunca mueva el molinillo mientras la unidad esté en uso.
- Nunca deje el molinillo sin atender cuando esté en uso.
- Tenga cuidado de no voltear el molinillo mientras esté en uso; esto puede dañar los componentes internos.
- Evite el contacto con las partes en movimiento del molinillo. No intente anular el mecanismo de interbloqueo de seguridad.
- Este dispositivo no ha sido diseñado para ser usado por personas (incluyendo niños) con capacidades físicas, sensoriales o mentales reducidas, o que carezcan de la experiencia y conocimiento necesarios, a menos que se les haya dado supervisión o instrucción en relación con el uso del dispositivo por una persona responsable de su seguridad. Se requiere de supervisión cuando los niños

utilicen el dispositivo o se encuentren cerca mientras se usa. Los niños deben ser supervisados para asegurar que no jueguen con el aparato.

- APAGUE el aparato, luego desconéctelo de la toma cuando no esté en uso, antes de ensamblar o desensamblar piezas y antes de limpiarlo. Para desconectarlo, agarre el enchufe y extráigalo de la toma de corriente. Nunca jale del cable.

GUARDE ESTAS INSTRUCCIONES

LIMPIEZA Y MANTENIMIENTO

- Desconecte siempre el cable eléctrico de la toma de corriente antes de limpiar.
- Antes de limpiarlo, recomendamos que haga funcionar con el molinillo vacío durante 10 segundos para ayudar a eliminar cualquier grano/residuo de las placas y el conducto de salida.
- Deje que las partes en movimiento se detengan antes de limpiar el molinillo. No use el molinillo sin haber colocado la tapa de manera apropiada en el compartimiento de carga.
- Solo limpie la parte exterior del molinillo con un paño húmedo.
- Si el molinillo se usa a diario, las placas deben limpiarse al menos cada tres meses usando las tabletas (vea "Limpieza Automática") o un cepillo duro.
- Para limpiar las placas, retírelas siguiendo las instrucciones de la sección "Retirada y sustitución de las placas".
- No sumerja el molinillo en agua. NO lave las placas con agua.
- Use el cepillo suministrado, limpie suavemente el polvo de café de las placas y vuelva a colocarlas siguiendo las instrucciones de la sección "Retiro y sustitución de las placas".
- Para limpiar el pestillo, limpie suavemente con un paño suave y húmedo. Seque con un paño seco después de la limpieza.

¡PRECAUCIÓN!

- No use estropajos abrasivos, productos químicos fuertes o de limpieza en aerosol para limpiar. Pueden dañar la superficie del dispositivo.
- No meta ninguna parte del molinillo en el lavaplatos.

- Limpie el exterior del molinillo y el compartimiento de carga con un paño suave y húmedo.

LIMPIEZA AUTOMÁTICA

Una manera rápida de limpiar el molinillo es mediante pastillas de limpieza para molinillos de café, como las de la marca Urnex Grindz™. Se han diseñados para prevenir obstrucciones al liberar las partículas de café pegadas a las placas y absorber/eliminar los olores y los restos de aceite de café.

Para usar las pastillas de limpieza, asegúrese de que todos los granos hayan pasado por el molinillo al hacerlo funcionar durante 10 – 20 segundos. Siga las instrucciones de las pastillas de limpieza para poner la cantidad adecuada en el molinillo. Ponga el molinillo en el ajuste 11 y presione el botón de encendido para hacerlo funcionar. Muela todas las pastillas de la cubeta. Una vez que termine, recomendamos moler aproximadamente 30 g de café para eliminar cualquier residuo de pastillas. Tire las pastillas/el café molido de la cubeta y límpiela.

SOLUCIÓN DE ATASCOS DEL MOLINILLO

En ocasiones, el Molinillo de Placas Cónicas Opus se puede atascar y deja de moler. Cuando esto ocurre, el molinillo deja de moler antes de que se termine todo el café de la tolva y se emitirá un bip de "SOS".

Los atascos importantes se pueden solucionar de la siguiente manera:

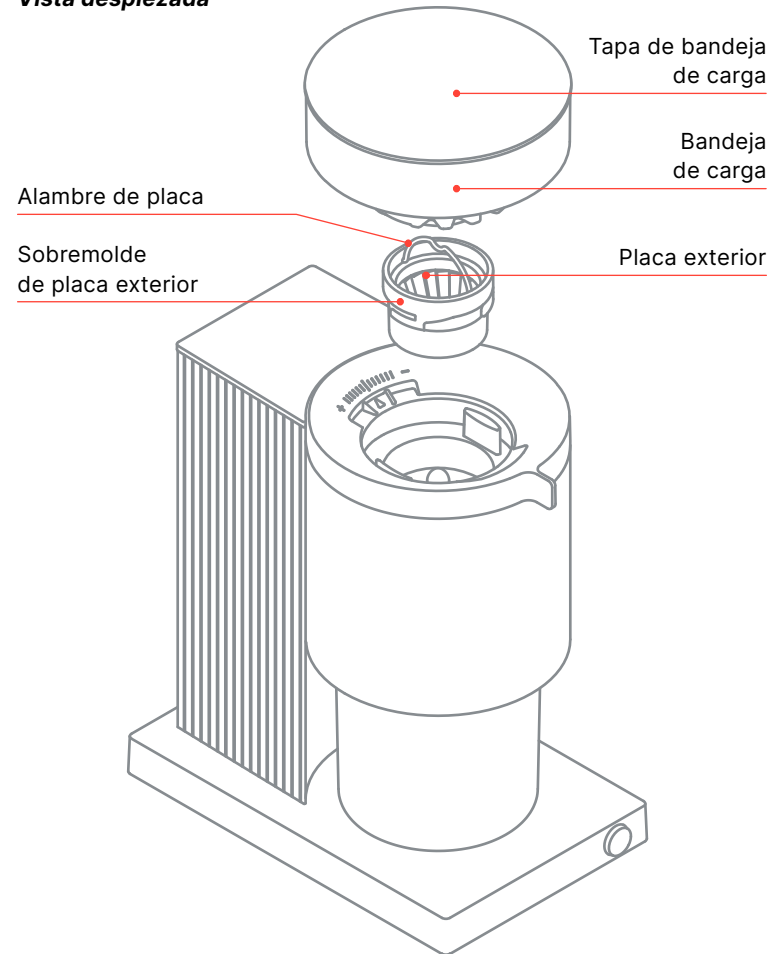
1. Revise que la cubeta esté limpia. Gire el anillo de ajuste del molinillo al ajuste 11.
2. De un golpe fuerte y firme al molinillo en los lados varias veces y agite.

3. Presione el botón de encendido y continúe golpeando firmemente el lateral del molinillo durante varios segundos. Si vuelve a funcionar, se habrá despejado la obstrucción. Si no, siga las instrucciones para poder despejar un atasco importante.

LOS ATASCOS IMPORTANTES SE PUEDEN DESPEJAR DE LA SIGUIENTE MANERA:

1. Desconecte el molinillo.
2. Empiece retirando la bandeja de carga del molinillo. La bandeja de carga está fija en su lugar con un mecanismo de giro y bloqueo; simplemente gire en sentido antihorario (a la izquierda) para desbloquear el molinillo, luego levante para retirar.
3. Retire la placa exterior tomando y levantando el alambre de la placa (**vea el Diagrama A**), gire en sentido antihorario (a la izquierda) hasta que se desbloquea de la cámara de moler, luego levante para retirar.
4. Retire el café de la cámara de moler y deséchelo.
5. Inspeccione en busca de granos de café o materiales extraños (piedras, palitos, granos de café sin tostar, etc.) que puedan estar atascados. De ser necesario, retire la placa interior como se destaca en la sección "Retiro y sustitución de las placas" a continuación. Retire todo el material atorado y limpie las placas según se indica en la sección "Limpieza" de este manual.
6. Vuelva a instalar la(s) placa(s) y la bandeja de carga. Haga funcionar el molinillo durante 5 segundos para revisar que funcione según lo previsto. El molinillo debe girar silenciosamente a una velocidad constante. Si el molinillo está haciendo ruidos inesperados, repita el proceso y revíselo cuidadosamente para asegurarse de que las partículas de café se hayan despejado.
7. Por favor, contacte a servicio a clientes de Fellows en **help.fellowproducts.com** si el problema persiste y envíe una solicitud.

Diagrama A:
Vista despiezada



RETIRO Y SUSTITUCIÓN DE LAS PLACAS DE MOLIENTA

PRECAUCIÓN: Las placas del molinillo están afiladas, ¡manipúlelas con cuidado!

1. Desconecte el molinillo y vacíelo de café.
2. Retire la bandeja de carga girando en sentido antihorario (a la izquierda) hasta que se desbloquee del molinillo y levante para retirar.
3. Luego, retire la placa exterior. La placa exterior está moldeada permanentemente al portador de plástico con una manija de alambre sujeta. Este conjunto está fijo en la cámara de moler con un mecanismo de giro y bloqueo similar al de la tolva; simplemente tome la manija de alambre y gire en sentido antihorario (a la izquierda) hasta que el portador de placa se suelte del molinillo, luego levante para retirar.

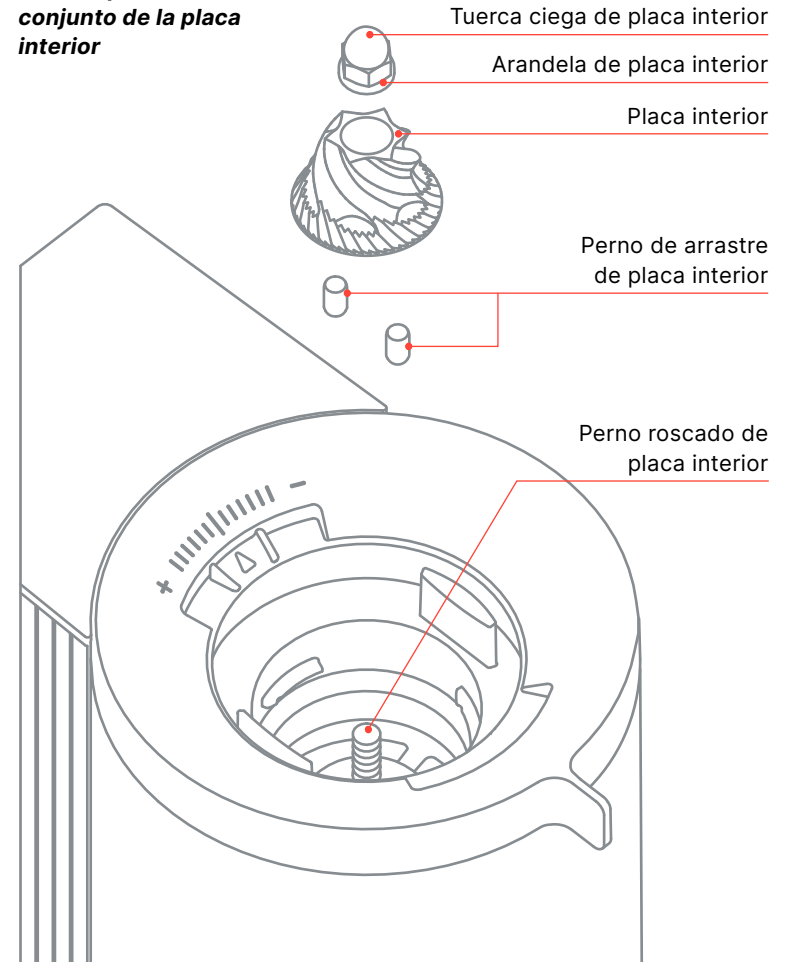
Si solo va a realizar una limpieza general, no desmonte más las placas. Usando un cepillo duro, cepille suavemente el polvo de café de las placas y fuera de la cámara de moler, luego vuelva a colocar la placa exterior.

Si va a reemplazar las placas o está haciendo una limpieza a profundidad/desatasco, continúe con los siguientes pasos (ver Diagrama B).

4. La placa interior está sujeta al engranaje del rotor principal. Para retirar la placa interior, comience utilizando un desarmador hexagonal de 6 mm para retirar la tuerca de rueda y la arandela que la sostiene en su lugar. La tuerca está roscada a la izquierda, así que gire el desarmador en sentido horario (a la derecha) para aflojarla. Si hay una acumulación de café molido en la tuerca que interfiera con su remoción, use una pequeña brocha para eliminar el café antes de intentar removerlo.

Retire cuidadosamente la placa interior levantándola del tornillo de refuerzo y el perno roscado del engranaje del rotor.

Diagrama B:
Vista explotada del conjunto de la placa interior



5. Estas son dos pernos de arrastre de acero entre la placa interior y el engranaje de rotor. Estos pernos también pueden ser retirados para una mayor limpieza. Asegúrese de no perderlos, ya que transfieren el movimiento rotativo del rotor a la placa interior y son esenciales para un funcionamiento adecuado.

Para volver a colocar las placas, repita estos pasos en sentido inverso. Asegúrese de que los pernos de arrastre estén en su lugar antes de volver a sujetar la placa interior. Asegúrese también de que el portador de la placa exterior y la bandeja de carga estén completamente fijos en su lugar antes de continuar con la operación.

GARANTÍA

Para servicio, reparación o cualquier pregunta respecto a su Molinillo de Placas Cónicas Opus, por favor visite Fellowproducts.com/pages/gear-guides. NO devuelva el producto al fabricante por correo ni lo lleve a un centro de servicio sin antes hablar con un representante de servicio al cliente de Fellow.

Garantía Limitada de 2 Años

Fellow garantiza este producto frente a cualquier defecto debido a material defectuoso o un problema de mano de obra por un periodo de un año después de la fecha original de compra del consumidor.

Esta garantía es válida únicamente para:

El consumidor original.

Cuando el molinillo se compra a través de vendedores autorizados.

Con la factura original de compra como comprobante de compra para hacer valer la garantía.

Esta garantía no incluye los daños causados al producto que resulten de:

Accidente, mal uso o reparaciones realizadas por personal no autorizado.

Uso con el voltaje o la corriente incorrectos.

No seguimiento de las instrucciones de limpieza del molinillo.

Incumplimiento de las medidas de seguridad de seguridad anotadas en las advertencias e instrucciones de este documento.

Moler cualquier otra cosa distinta a granos de café tostado o tabletas de limpieza de molinillo.

Si el producto se vuelve defectuoso dentro del periodo de garantía o usted tiene alguna pregunta en relación con la garantía o mantenimiento, visite la página help.fellowproducts.com y envíe su solicitud.

Encuentre más información en:

Fellowproducts.com/pages/gear-guides

**Find more information at:
Pour de plus amples renseignements :
Encuentre más información en:**

Fellowproducts.com/pages/gear-guides