

APPLICATION:

JOB NAME:

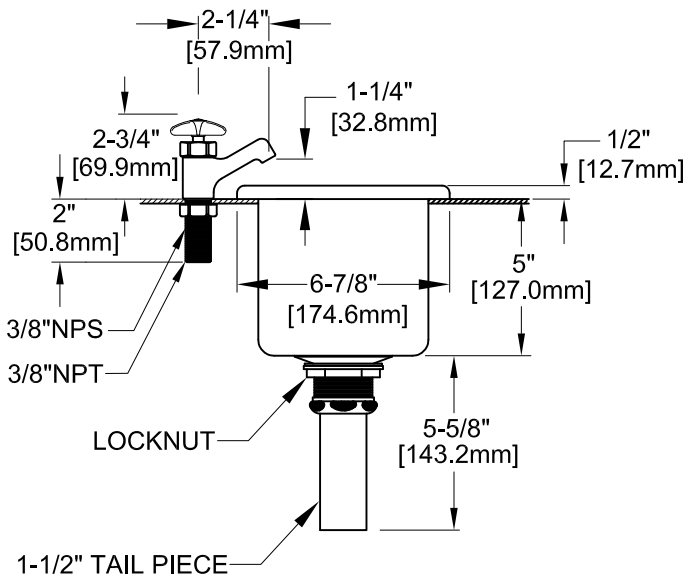
QUANTITY:                      ITEM NO.

PRODUCT NAME:  
**DIPPERWELL FAUCET & SINK ASSEMBLY**

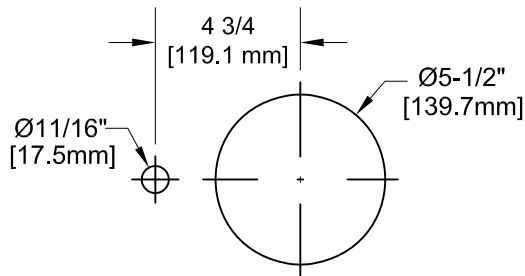
\_\_\_\_\_ SPECIAL CONFIGURATION  
 CHECK BASE MODEL AND OPTIONS

MODEL:  
 3041

OPTIONS OR MODIFICATIONS:  
 OTHER \_\_\_\_\_



ROUGH-IN:



FEATURES:

DIPPERWELL FAUCET  
 \* STAINLESS STEEL SEAT

DIPPERWELL SINK  
 \* STAINLESS STEEL PAN  
 \* REMOVABLE INNER SHELL

SYSTEM LIMITS  
 \* TEMP: 40°F MIN. TO 160°F MAX.  
 \* PRESSURE 200 PSI MAX. STATIC

SHIPPING WEIGHT  
 \* 3.5 LBS



ANSI/A112.18.1/ CSA B125.1

**FISHER**

FISHER MANUFACTURING COMPANY  
 TOLL FREE: 800-421-6162 - FAX: 800-832-8238  
 information@fisher-mfg.com - www.fisher-mfg.com