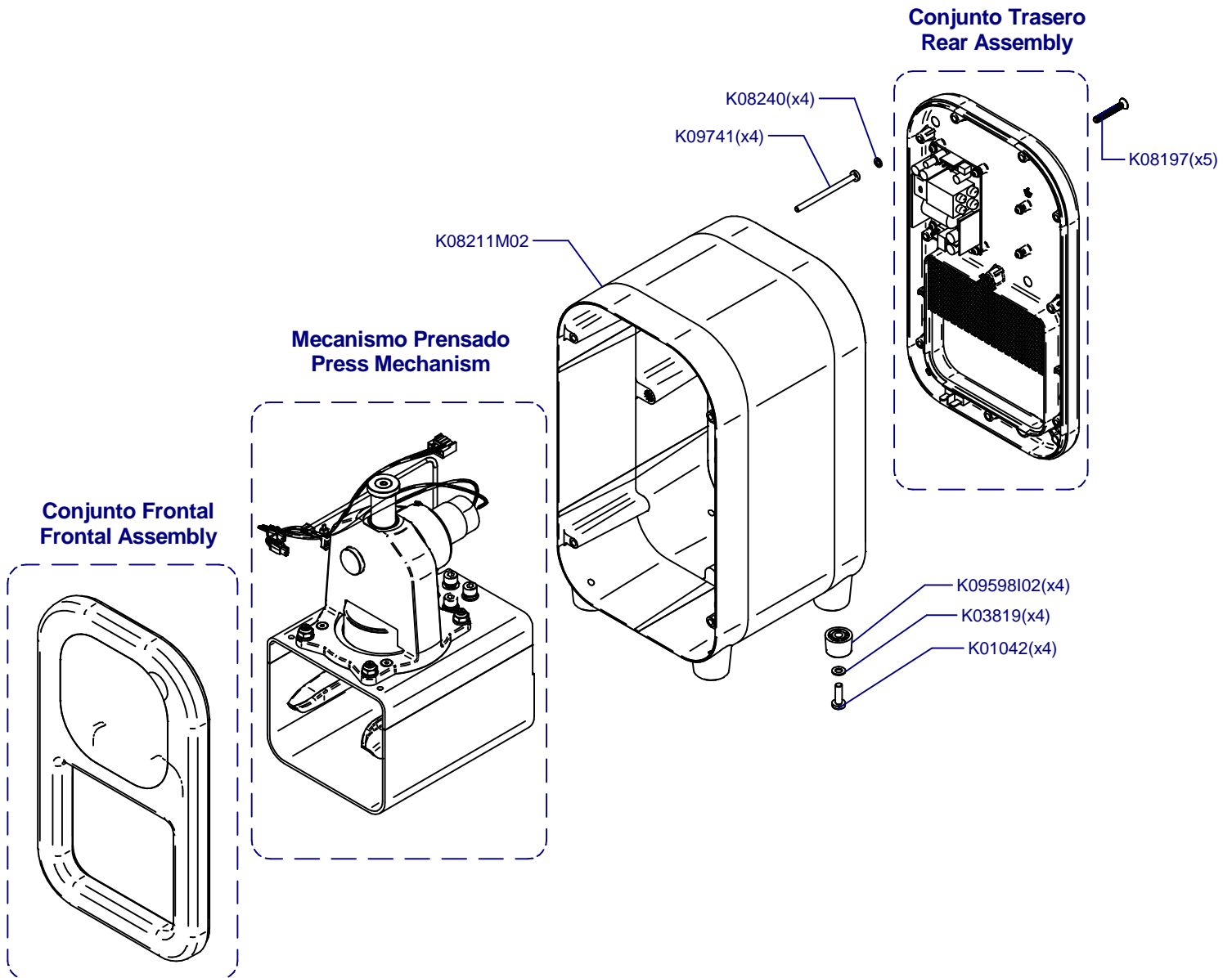


Cube Tamp

Updated 10/11/2022



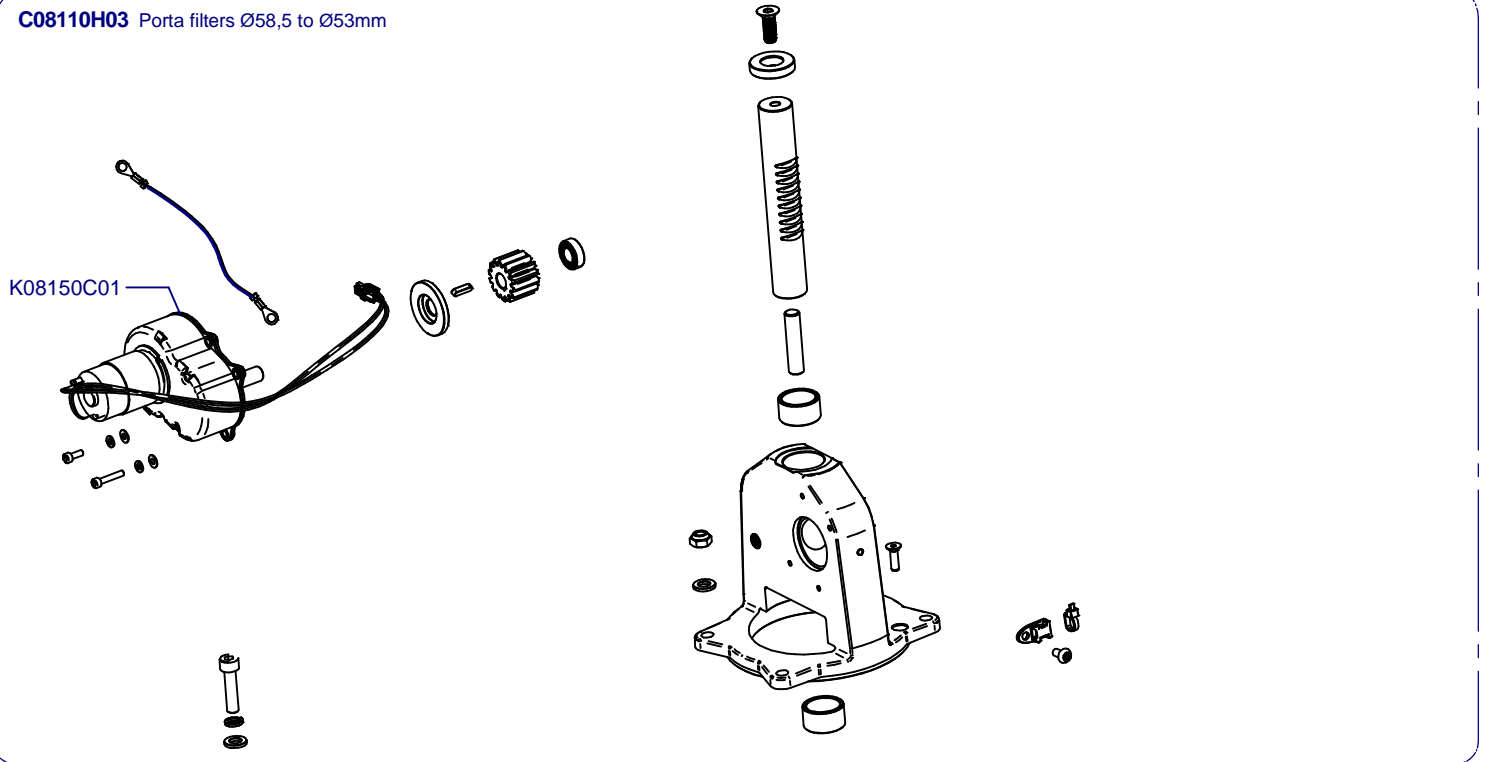
Cube Tamp

Updated 10/11/2022

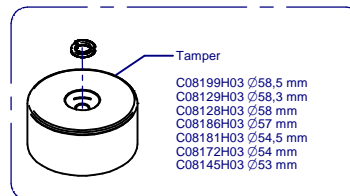
Mecanismo Prensado / Press Mechanism

Soporte Motor/Motor Support

C08110H03 Porta filters Ø58,5 to Ø53mm

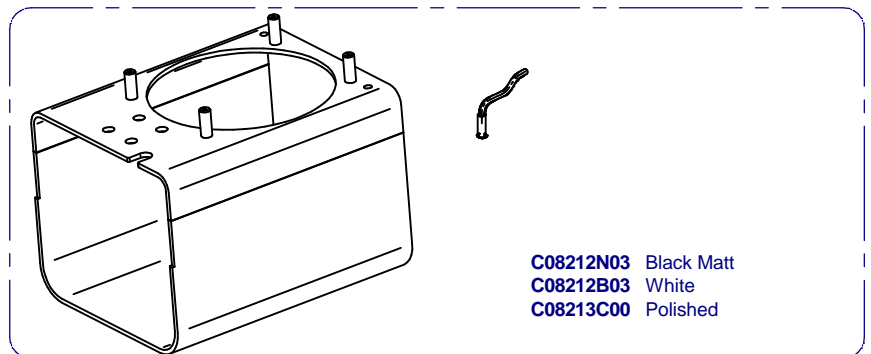
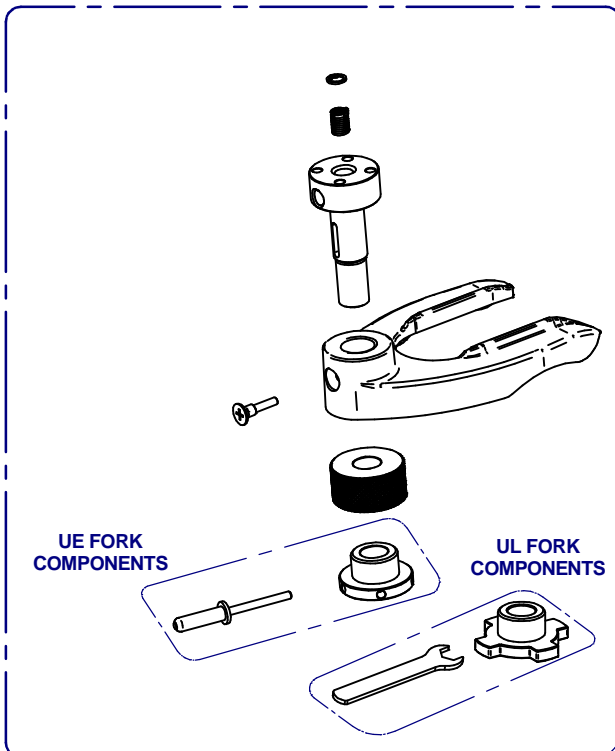


Prensas / Tampers

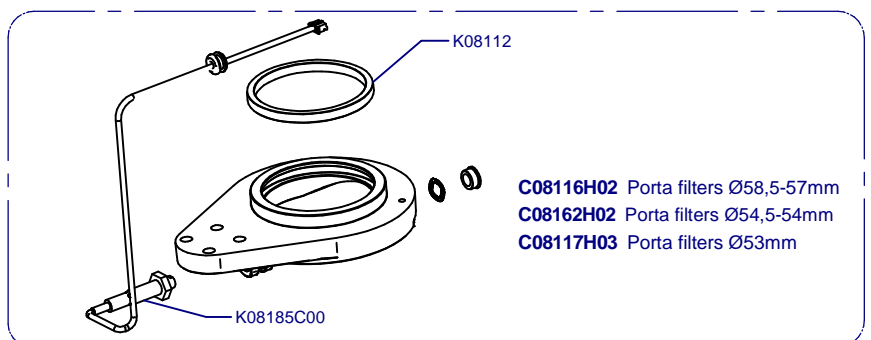


C08210H03 Fork Support/ Soporte Horquilla
C08188H01 UL Fork Support/ UL Soporte Horquilla

Soporte interior Mecanismo
Inner Mechanism Support



Soporte Portafiltros / Porta Filter Support

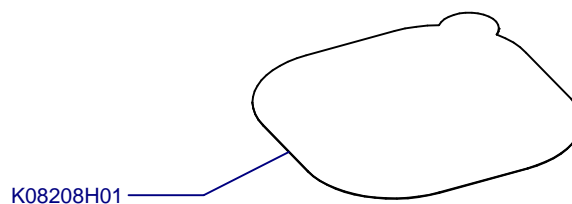
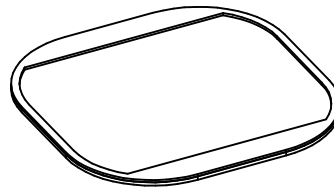
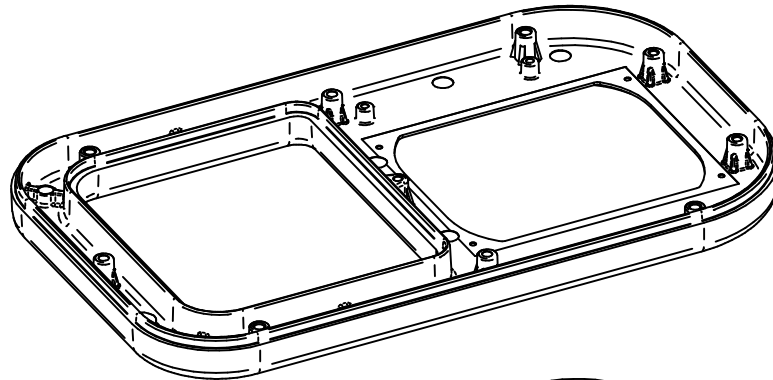
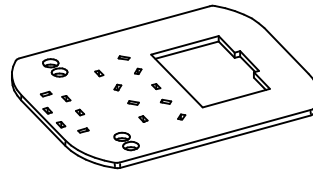
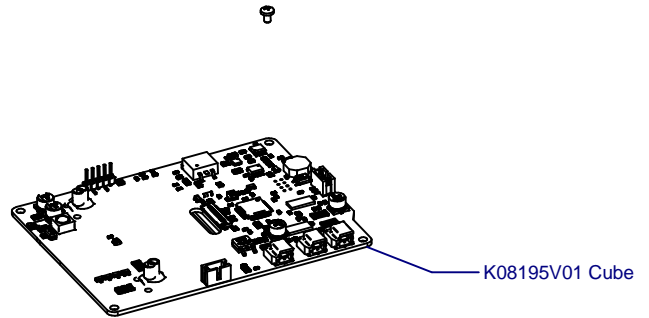


Cube Tamp

Updated 10/11/2022

Conjunto Frontal Frontal Assembly

C08160H01 Cube Tamp Black Matt
C08202H01 Cube Tamp Polished

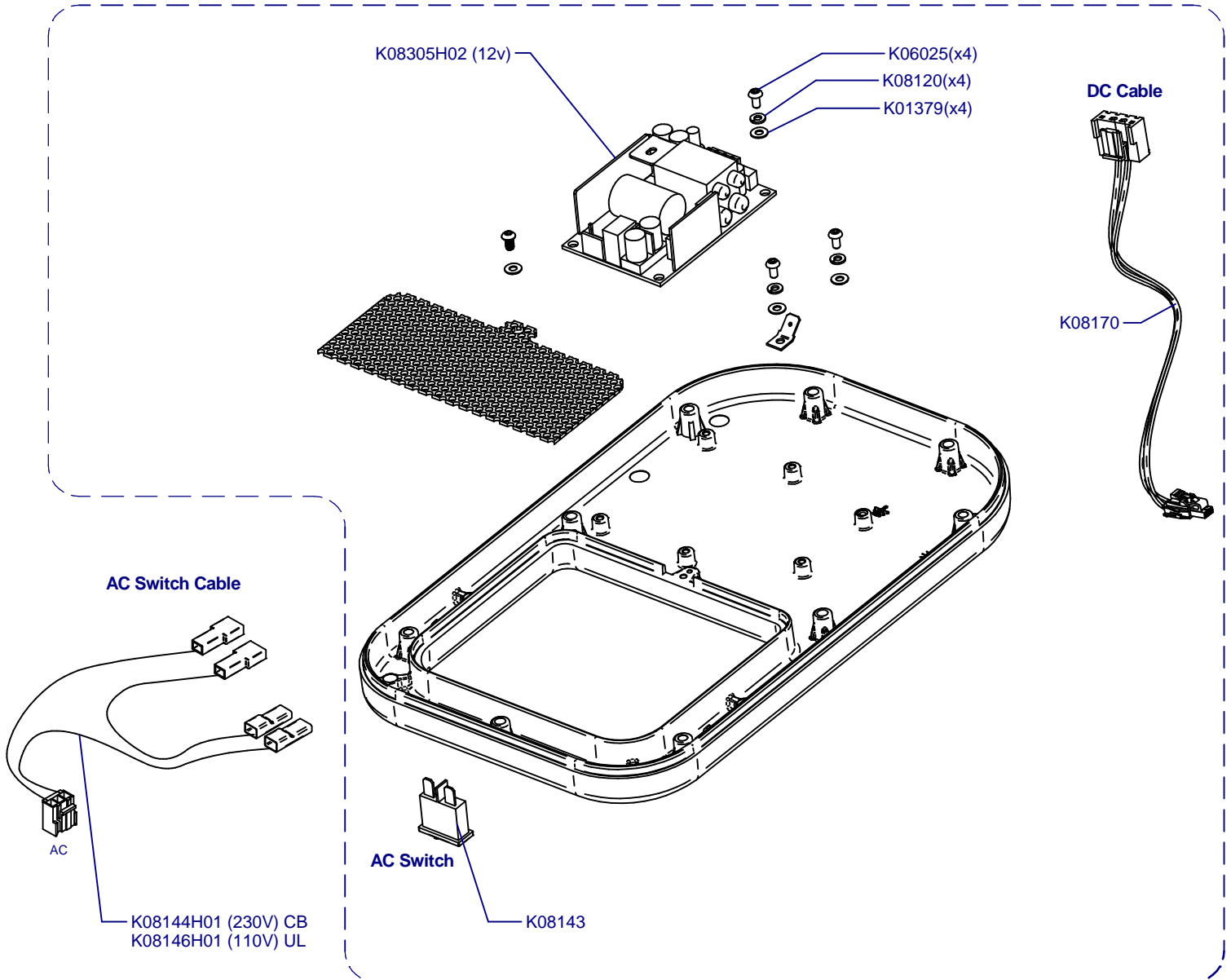


Cube Tamp

Updated 10/11/2022

Conjunto Trasero Rear Assembly

C08260H00 Cube Tamp Black Matt
C08204H00 Cube Tamp Polished



AC Cube Cords		
Country	L= 1,2 m	L=1,7m
CEE & KTL	K08158	K08158C02
USA	K08147	K08147C01
AUSTRALIA		K08148C00
UK	K08149	K08149C01
SUIZA	K08151	K08151C01
ISRAEL		K08153C00
ARGENTINA	K08167C00	
TAIWAN	K08168C00	
CHINA	K08180C00	
BRASIL		K08152C00

