

# 1.5Gal ( 5.7L) TITAN TF Server

Height: 22.9" Width: 11.7" Depth: 15.3"  
(58.2cm) (29.7cm) (38.9cm)



- Brew-through lid with tethered cap
- Compatible with BUNN ThermoFresh® and Infusion Series® (tall) systems
- Fast flow faucet with heightened serving clearance allows for dispensing directly into large cups, decanters and thermal carafes
- Integrated sight gauge assembly allows for easy cleaning
- Durable all stainless steel construction
- Eco-friendly foam-insulated
- Offset handles allow servers to be placed next to each other
- Contemporary styling and wrap program for maximum merchandising

Agency:



## Specifications

Product #: 46300.0000

Finish: Stainless

## Additional Features

## Holding Capacity

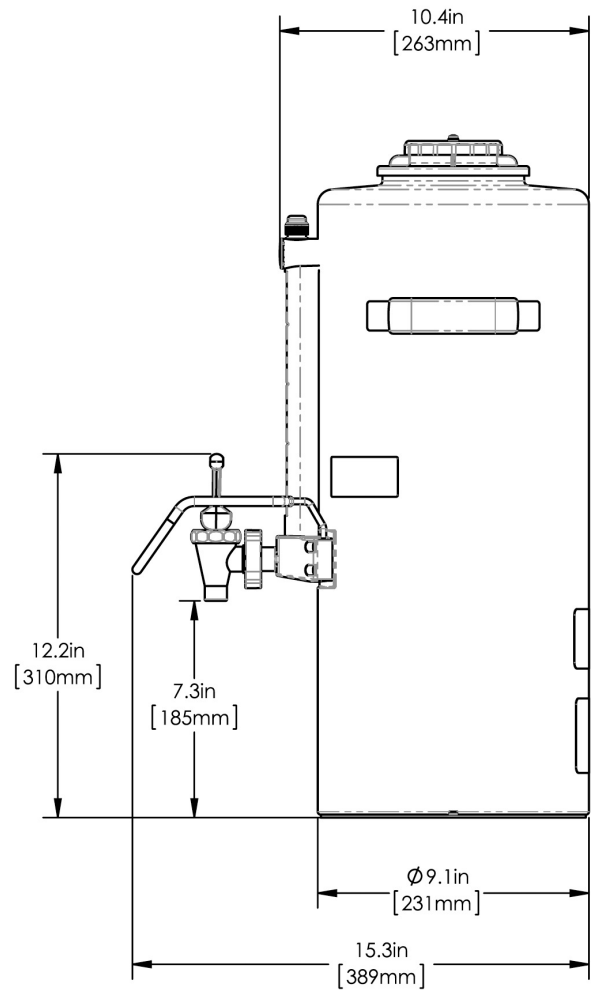
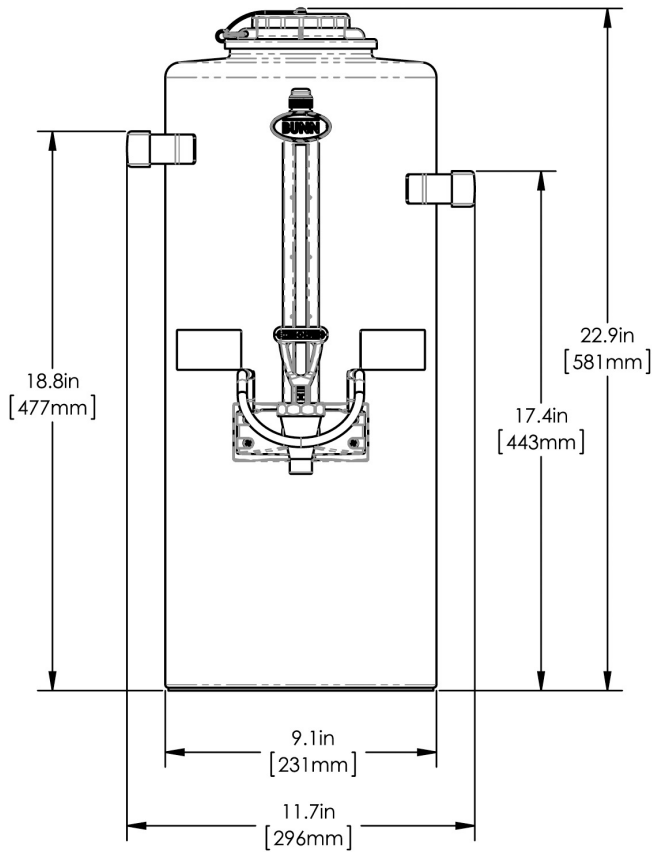
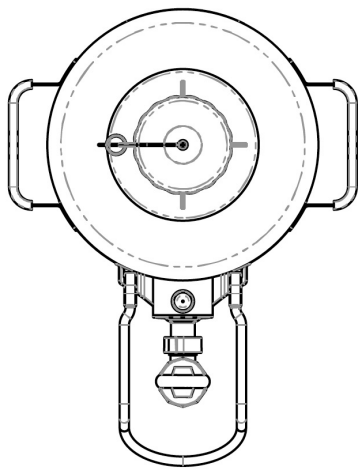
English	Metric
192 oz.	5.7 L

 WARNING:



BUNN® reserves the right to change specifications and product design without notice. Such revisions do not entitle the buyer to corresponding changes, improvements, additions or replacements for previously purchased equipment. For most current specifications and other info visit [bunn.com](http://bunn.com).

Last Updated:  
06/28/2021



	Unit			Shipping				
	Height	Width	Depth	Height	Width	Depth	Weight	Volume
English	22.9 in.	11.7 in.	15.3 in.	19.0 in.	14.9 in.	27.5 in.	9.555 lbs	4.498 ft <sup>3</sup>
Metric	58.2 cm	29.7 cm	38.9 cm	48.3 cm	37.8 cm	69.9 cm	4.334 kgs	0.127 m <sup>3</sup>



BUNN® reserves the right to change specifications and product design without notice. Such revisions do not entitle the buyer to corresponding changes, improvements, additions or replacements for previously purchased equipment. For most current specifications and other info visit [bunn.com](http://bunn.com).

Last Updated:  
06/28/2021

Related Products & Accessories: 1.5Gal ( 5.7L) TITAN TF Server(46300.0000)

HANDLE, FAUCET  
ORANGE TF SERV

Product #: 39081.0001



TITAN DUAL, 120/208V  
1PH/3PH

Product #: 39200.0000



TITAN SINGLE, 120/208V

Product #: 39300.0000



KIT, PUSH STYLE SST  
HANDLE ADAPTER

Product #: 57480.0000



BUNN® reserves the right to change specifications and product design without notice. Such revisions do not entitle the buyer to corresponding changes, improvements, additions or replacements for previously purchased equipment. For most current specifications and other info visit [bunn.com](http://bunn.com).

Last Updated:  
06/28/2021

# Model Compatibility: 1.5Gal ( 5.7L) TITAN TF Server(46300.0000)

\*Serving and Holding selections are currently unavailable. Please contact your sales representative to find out more information.\*



BUNN® reserves the right to change specifications and product design without notice. Such revisions do not entitle the buyer to corresponding changes, improvements, additions or replacements for previously purchased equipment. For most current specifications and other info visit [bunn.com](http://bunn.com).

Last Updated:  
06/28/2021