

ASCASO

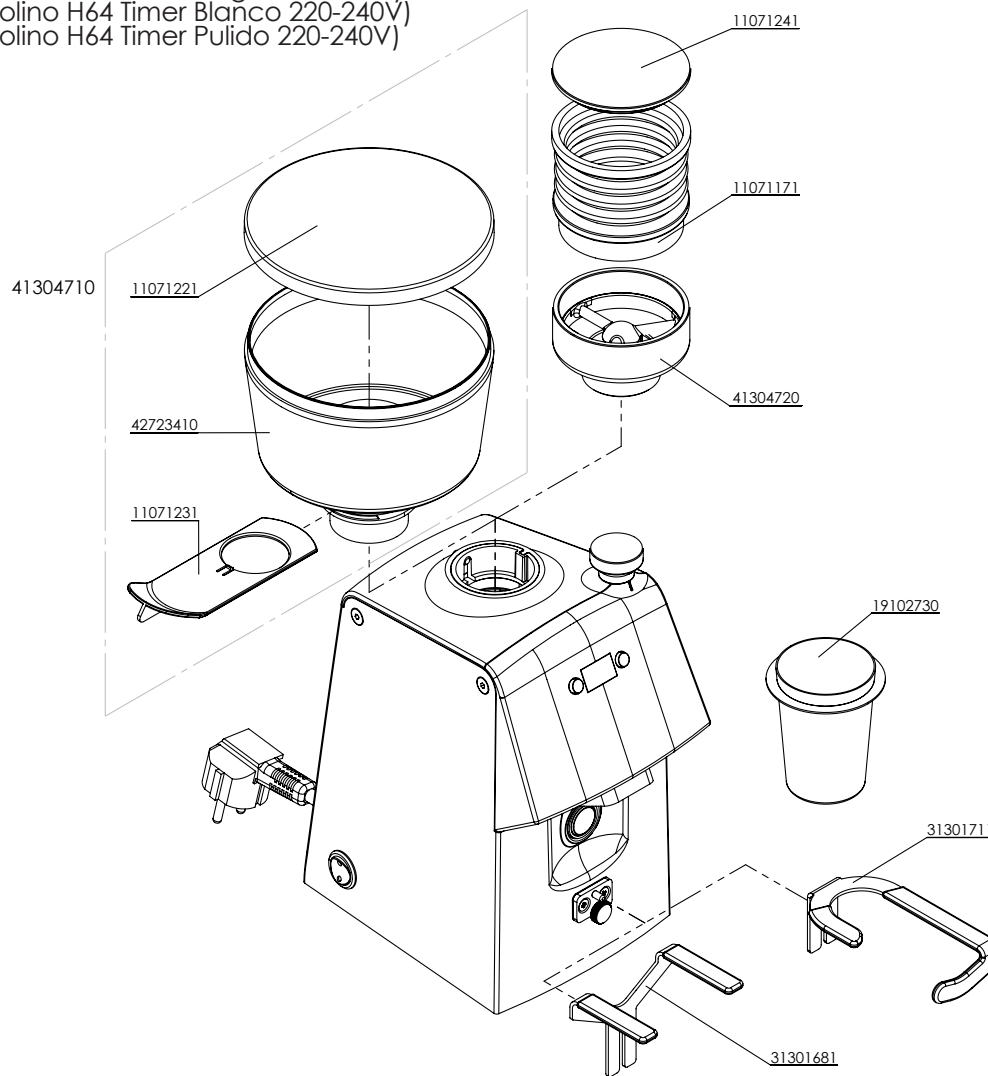
ASCASO

ascaso

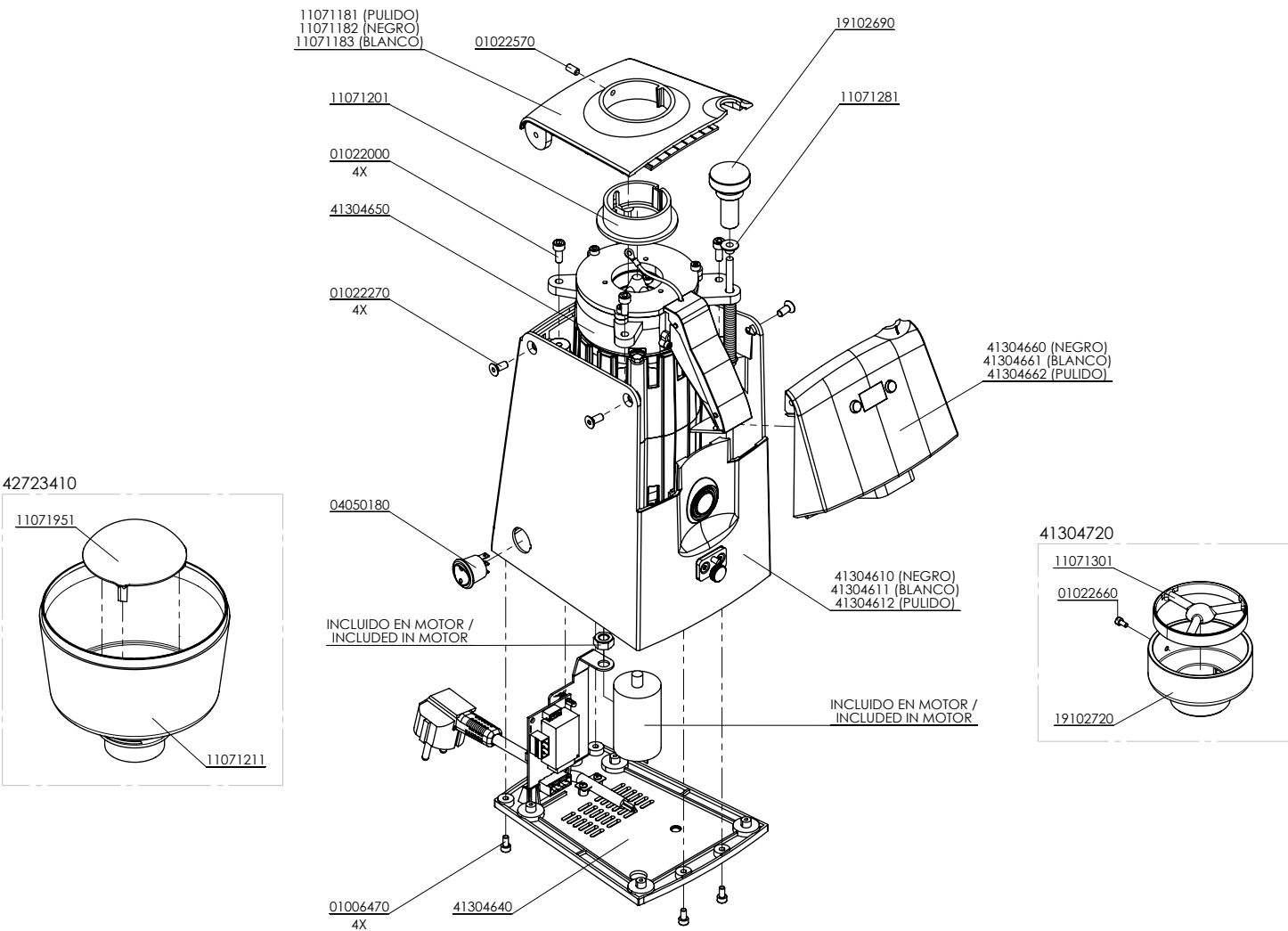


# MOLINO H64

5W1GHM64T00 (Molino H64 Timer Negro 220-240V)  
 5W1GHM64T01 (Molino H64 Timer Blanco 220-240V)  
 5W1GHM64T02 (Molino H64 Timer Pulido 220-240V)

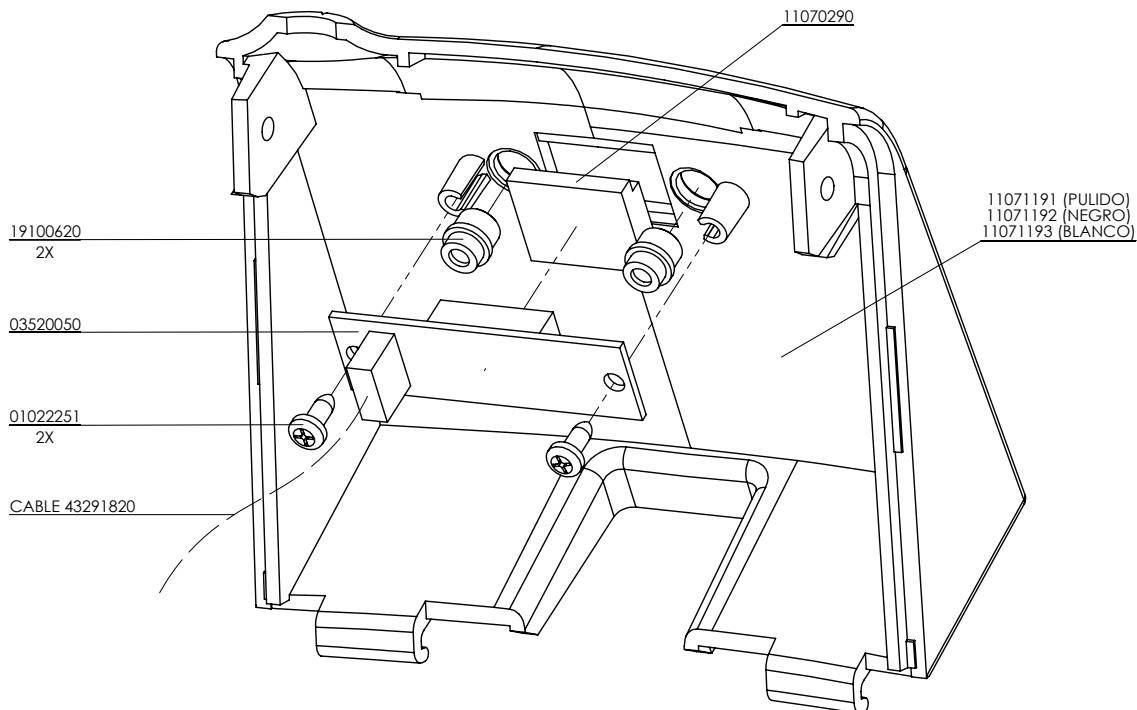


REF.	DESCRIPCIÓN	DESCRIPTION
11071171	FUELLE MOLINO H64 SINGLE DOSE	H64 GRINDER SINGLE DOSE BELLOW
11071221	TAPA TOLVA 300g MOLINO H64	H64 GRINDER 300g HOPPER LID
11071231	CIERRE TOLVA 300g MOLINO H64	H64 GRINDER 300g HOPPER CLOSURE
11071241	TAPA FUELLE MOLINO H64 SINGLE DOSE	H64 GRINDER SINGLE DOSE BELLOWS LID
19102730	VASO MOLINO H64	H64 GRINDER GLASS
31301681	HORQUILLA MOLINO H64 SINGLE DOSE	H64 GRINDER SINGLE DOSE FORK
31301711	HORQUILLA LARGA MOLINO H64	H64 GRINDER LONG FORK
41304710	CONJUNTO TOLVA MOLINO H64	H64 GRINDER HOPPER SET
41304720	MONTAJE SINGLE DOSE MOLINO H64	H64 GRINDER SINGLE DOSE MOUNT
42723410	TOLVA + INTERIOR MOLINO H64	H64 GRINDER BELLOW + INTERIOR



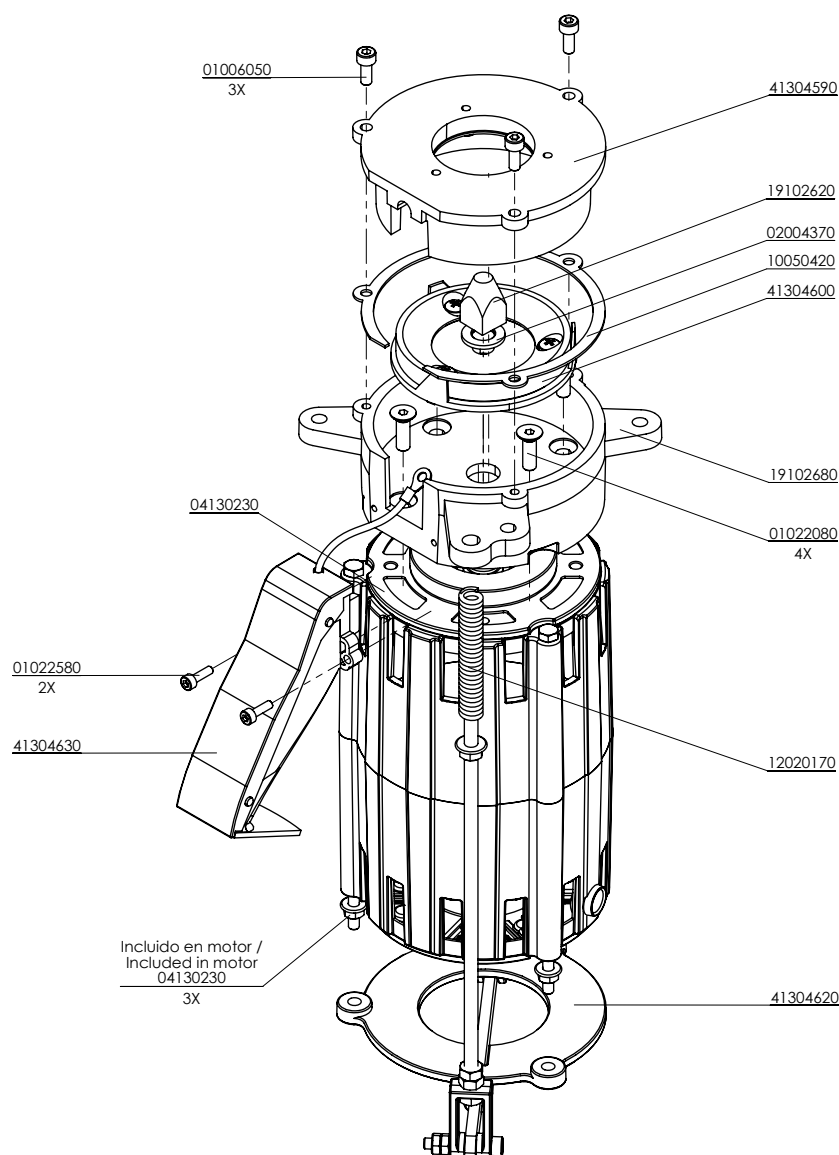
REF.	DESCRIPCIÓN	DESCRIPTION
01006470	TORNILLO DIN 912 M4x8 A2	DIN 912 M4X8 A2 SCREW
01022000	TORNILLO DIN 912 M5x12 A2	DIN 912 M5X12 A2 SCREW
01022270	TORNILLO DIN 7991 M5x12 A2	DIN 7991 M5X12 A2 SCREW
01022570	ESPARRAGO DIN 913 M5x10 A2	DIN 913 M5X10 A2 STUD
01022660	TORNILLO DIN 912 M3x6 A2	DIN 912 M3X6 A2 SCREW
04050180	INTERRUPTOR PILOTO AMBAR	AMBAR PILOT SWITCH
11071181	TAPA SUPERIOR MOLINO H64 - PULIDO	H64 GRINDER UPPER COVER - POLISHED
11071182	TAPA SUPERIOR MOLINO H64 - NEGRO	H64 GRINDER UPPER COVER - BLACK
11071183	TAPA SUPERIOR MOLINO H64 - BLANCO	H64 GRINDER UPPER COVER - WHITE
11071201	GOMA AJUSTE TOLVA MOLINO H64	H64 GRINDER HOPPER RUBBER
11071211	TOLVA 300g MOLINO H64	H64 GRINDER 300g HOPPER
11071281	CASQUILLO REGULACIÓN MOLINO H64	H64 GRINDER REGULATION BUSHING
11071301	PIEZA SEGURIDAD MOLINO H64 SINGLE DOSE	H64 GRINDER SINGLE DOSE SAFETY PIECE
11071951	INTERIOR TOLVA MOLINO H64	H64 GRINDER HOPPER INTERIOR
19102690	POMO REGULADOR MOLINO H64	H64 GRINDER REGULATOR KNOB
19102720	ADAPTADOR FUELLE MOLINO H64 SINGLE DOSE	H64 GRINDER SINGLE DOSE BELLOWS ADAPTER
41304610	CUERPO MONTADO MOLINO H64 - NEGRO	H64 GRINDER MOUNTED BODY - BLACK
41304611	CUERPO MONTADO MOLINO H64 - BLANCO	H64 GRINDER MOUNTED BODY - WHITE
41304612	CUERPO MONTADO MOLINO H64 - PULIDO	H64 GRINDER MOUNTED BODY - POLISHED
41304640	BASE MONTADA MOLINO H64	H64 GRINDER MOUNTED BASE
41304650	MOTOR MONTADO MOLINO H64	H64 GRINDER MOUNTED MOTOR
41304660	PANEL MONTADO MOLINO H64 - NEGRO	H64 GRINDER MOUNTED PANEL - BLACK
41304661	PANEL MONTADO MOLINO H64 - BLANCO	H64 GRINDER MOUNTED PANEL - WHITE
41304662	PANEL MONTADO MOLINO H64 - PULIDO	H64 GRINDER MOUNTED PANEL - POLISHED

41304660 (Negro/Black)  
 41304661 (Blanco/White)  
 41304662 (Pulido/Polished)



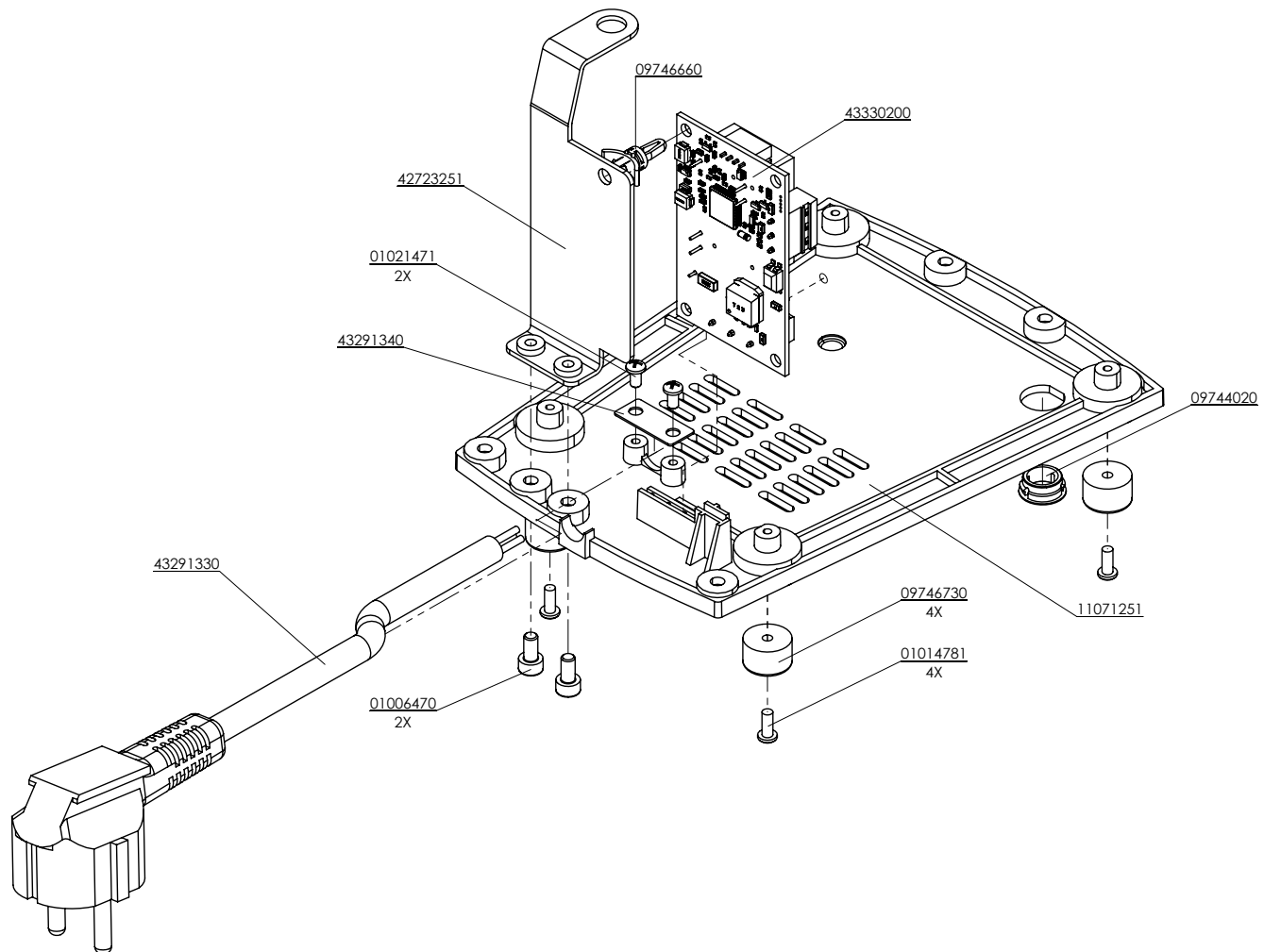
REF.	DESCRIPCIÓN	DESCRIPTION
01022251	TORNILLO DIN 7981 3.5x9 ZN	DIN 7981 3.5x9 ZN SCREW
03520050	DISPLAY DREAM/STEEL/H64	DREAM/STEEL/H64 DISPLAY
11070290	MIRILLA PANTALLA DREAM PID	DREAM SCREEN PEEPHOLE
11071191	TAPA FRONTAL MOLINO H64 - PULIDO	H64 GRINDER FRONT COVER - POLISHED
11071192	TAPA FRONTAL MOLINO H64 - NEGRO	H64 GRINDER FRONT COVER - BLACK
11071193	TAPA FRONTAL MOLINO H64 - BLANCO	H64 GRINDER FRONT COVER - WHITE
19100620	TECLA DREAM/STEEL PID 2018	DREAM/STEEL PID 2018 KEY
43291820	CABLE DISPLAY I-10	DISPLAY I-10 CABLE

41304650



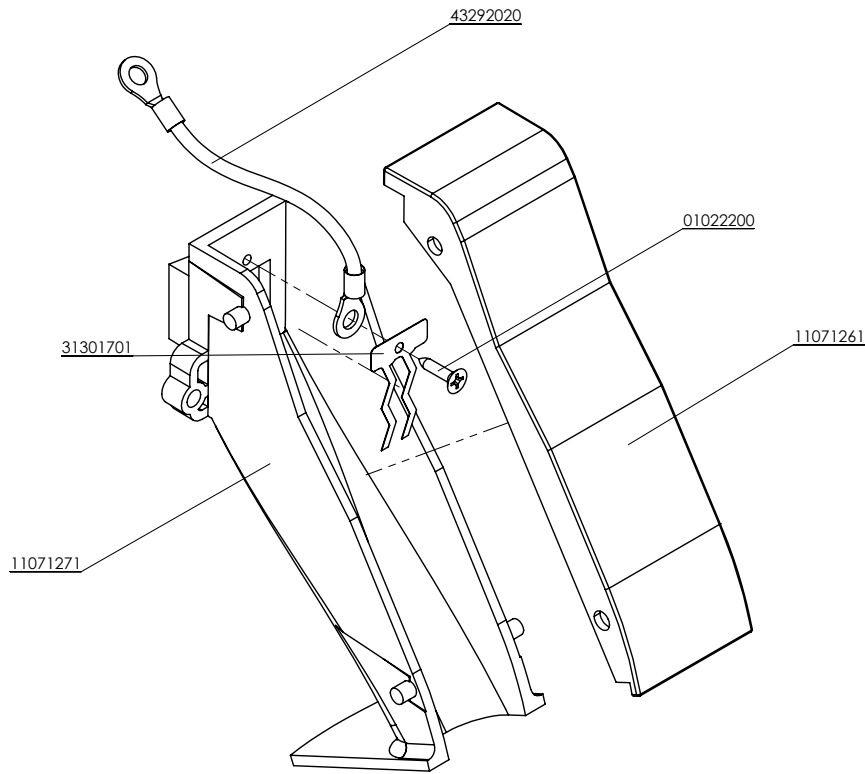
REF.	DESCRIPCIÓN	DESCRIPTION
0000201	TUERCA HEXAGONAL DIN-934 INOX A2 M5	DIN 934 A2 M5 HEXAGONAL NUT
01006050	TORNILLO DIN 912 M4x10 INOX	DIN 912 M4X10 STAINLESS SCREW
01022080	TORNILLO DIN 7991 M5X16 INOX	DIN 7991 M5X16 STAINLESS SCREW
01022580	TORNILLO DIN 912 M3x10 A2	DIN 912 M3X10 A2 SCREW
02004370	ARANDELA GROWER M8 DIN 127/B INOX	DIN 127/B STAINLESS STEEL M8 GROWER WASHER
04130230	MOTOR MOLINO H64 245W	H64 GRINDER 245W MOTOR
10050420	JUNTA PLANA MOLINO H64	H64 GRINDER FLAT GASKET
12020170	MUELLE REGULACION MOLINO H64	H64 GRINDER REGULATION SPRING
19102620	TUERCA CONICA M8	M8 CONIC NUT
19102680	CALIZ MOLINO H64	H64 LIMESTONE
41304590	FRESA SUPERIOR MONTADA MOLINO H64	H64 GRINDER UPPER MILL
41304600	FRESA INFERIOR MONTADA MOLINO H64	H64 GRINDER LOWER MILL
41304620	BASE MOTOR MONTADO MOLINO H64	H64 GRINDER MOUNTED MOTOR BASE
41304630	SALIDA CAFE MONTADO MOLINO H64	H64 GRINDER MOUNTED COFFEE EXIT

41304640



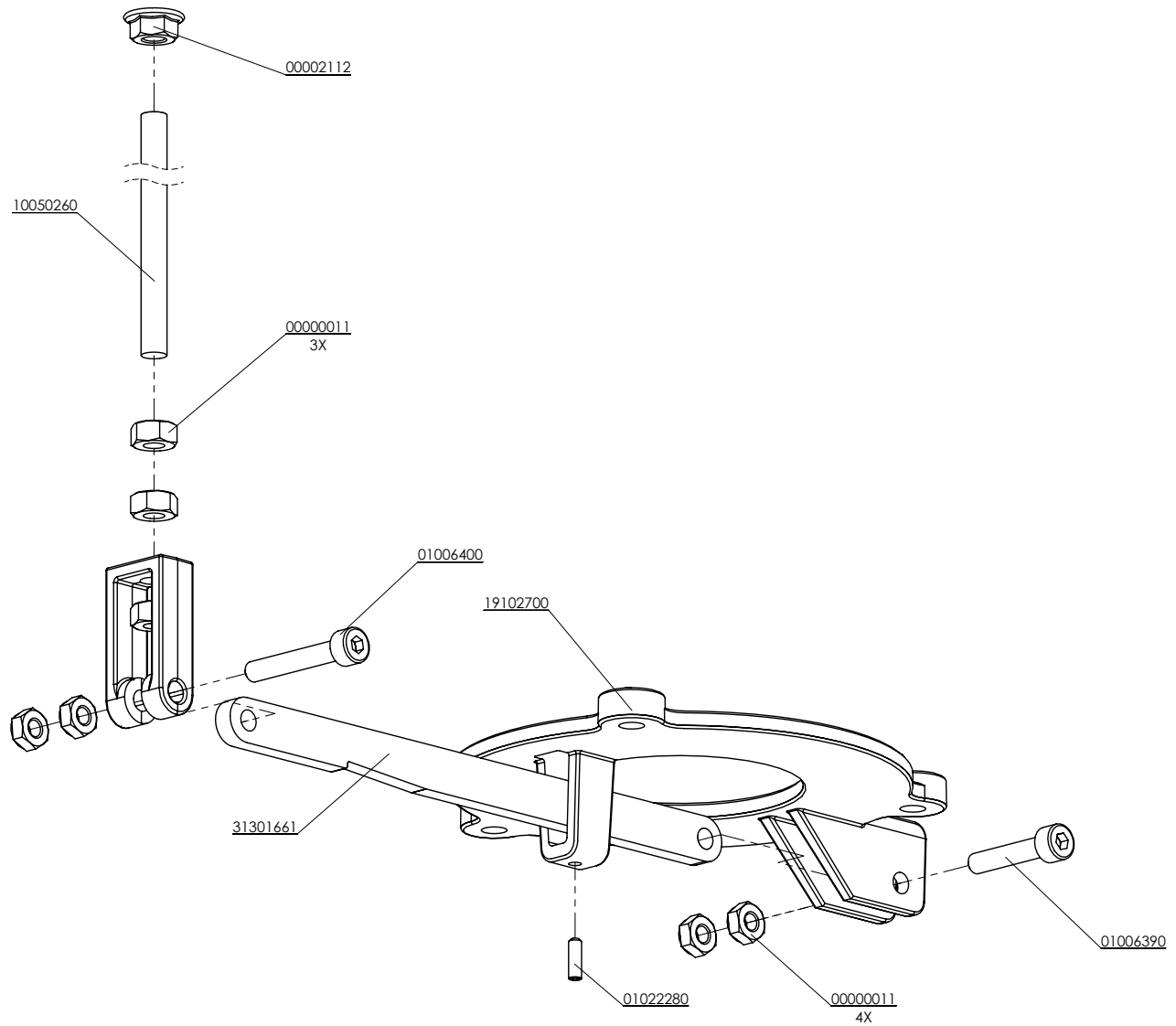
REF.	DESCRIPCIÓN	DESCRIPTION
01006470	TORNILLO DIN 912 M4x8 A2	DIN 912 M4X8 A2 SCREW
01014781	TORNILLO 3108CL81Z	3108CL81Z SCREW
01021471	TORNILLO DIN CL81Z ø3,1x6 ZINCADO	DIN CL81Z ø3,1x6 ZINCATED SCREW
09744020	TAPON CUERPO DREAM	DREAM BODY PLUG
09746660	DISTANCIADOR PCB MOLINO H64	H64 GRINDER PCB SPACER
09746730	PIE GOMA MINI MOLINO	MINI GRINDER RUBBER FOOT
11071251	BASE MOLINO H64	H64 GRINDER BASE
42723251	SOPORTE PCB/CONDENSADOR MOLINO H64	H64 GRINDER PCB/CONDENSER SUPPORT
43291330	CABLE RED EUROPEO	EUROPEAN NETWORK CABLE
43291340	CHAPA FIJACION CABLE RED MOLINO	SHEET FIXING RED GRINDER CABLE
43330200	CIRCUITO TEMPORIZADOR H64 230/120V	H64 230/120V TIMER CIRCUIT

41304630



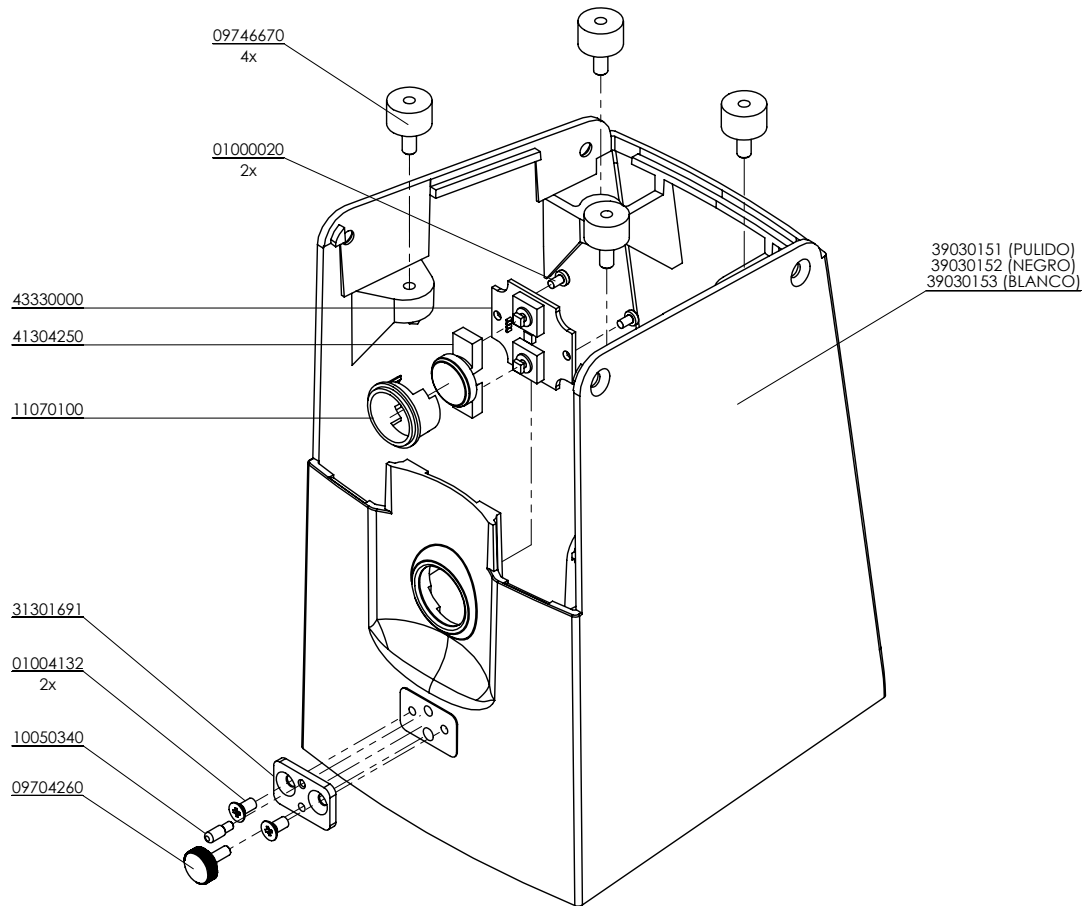
REF.	DESCRIPCIÓN	DESCRIPTION
01022200	TORNILLO D2.5X10MM DIN 7505-A	DIN 7505-A D2.5X10MM SCREW
11071261	TAPA SALIDA CAFÉ MOLINO H64	H64 GRINDER COFFEE OUTPUT LID
11071271	SALIDA CAFÉ MOLINO H64	H64 GRINDER COFFEE OUTPUT
31301701	PLETINA ANTIESTÁTICA SALIDA CAFÉ MOLINO H64	H64 GRINDER COFFEE OUTPUT ANTISTATIC PLATE
43292020	CABLEADO INTERRUPTOR / TIERRA MOLINO H64	SWITCH WIRING / EARTH H64 MILL

41304620



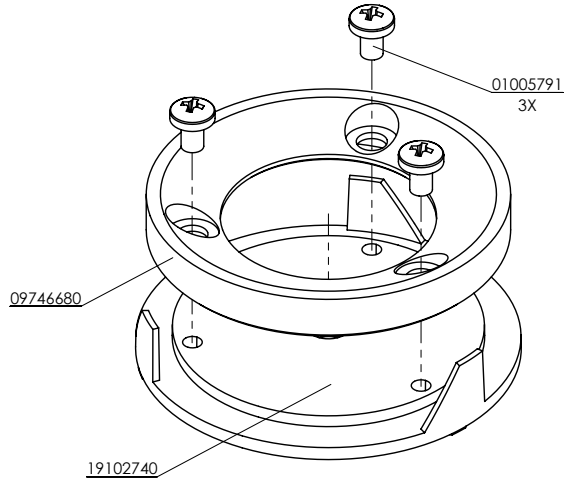
REF.	DESCRIPCIÓN	DESCRIPTION
00000011	TUERCA M4 INOX	M4 STAINLESS NUT
00002112	TUERCA DIN 6923 M5 A2	DIN 6923 M5 A2 NUT
01006390	TORNILLO DIN 912 M4x20 A2	DIN 912 M4X20 A2 SCREW
01006400	TORNILLO DIN 912 M4x25 A2	DIN 912 M4X25 A2 SCREW
01022280	ESPARRAGO DIN 913 M3x8 A2	DIN 913 M3X8 A2 STUD
10050260	VARILLA REGULACION MOLINO H64	H64 GRINDER REGULATION ROD
19102700	SOPORTE REGULADOR MOLINO H64 PARTE MOTOR	H64 GRINDER MOTOR REGULATORY SUPPORT
19102710	SOPORTE U REGULADOR MOLINO H64	H64 GRINDER U SUPPORT
31301661	PALANCA REGULACION MOLINO H64	H64 GRINDER REGULATION LEVER

41304610 (Negro/Black)  
 41304611 (Blanco/White)  
 41304612 (Pulido/Polished)



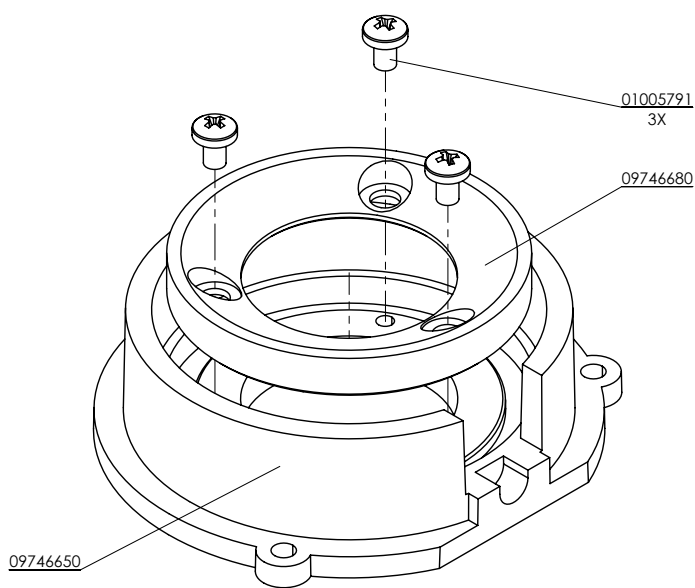
REF.	DESCRIPCIÓN	DESCRIPTION
01000020	TORNILLO DIN 7985 M3X5 INOX	DIN 7985 M3X5 STAINLESS SCREW
01004132	TORNILLO PORTA DUCHA M4 INOX	M4 SHOWER HOLDER STAINLESS SCREW
09704260	POMO REGULADOR PORTA	PORTA REGULATOR KNOB
09746670	SILENT BLOCK MOLINO H64	H64 GRINDER SILENT BLOCK
10050340	VARILLA CENTRADORA MOLINO H64	H64 GRINDER CENTERING ROD
11070100	EMBELLECEDOR BOTON	EMBELLOSE BUTTON
31301691	SOPORTE HORQUILLA MOLINO H64	H64 GRINDER FORK SUPPORT
39030151	CUERPO MOLINO H64 - PULIDO	H64 GRINDER BODY - POLISHED
39030152	CUERPO MOLINO H64 - NEGRO	H64 GRINDER BODY - BLACK
39030153	CUERPO MOLINO H64 - BLANCO	H64 GRINDER BODY - WHITE
41304250	BOTON TECLA CIEGA MOLINO / FLUSH BT COMP	GRINDER BLIND KEY BUTTON / FLUSH BT COMP
43330000	PLACA ELECTRONICA 1 BOTON BDT	BDT 1 BUTTON ELECTRONIC BOARD

41304600



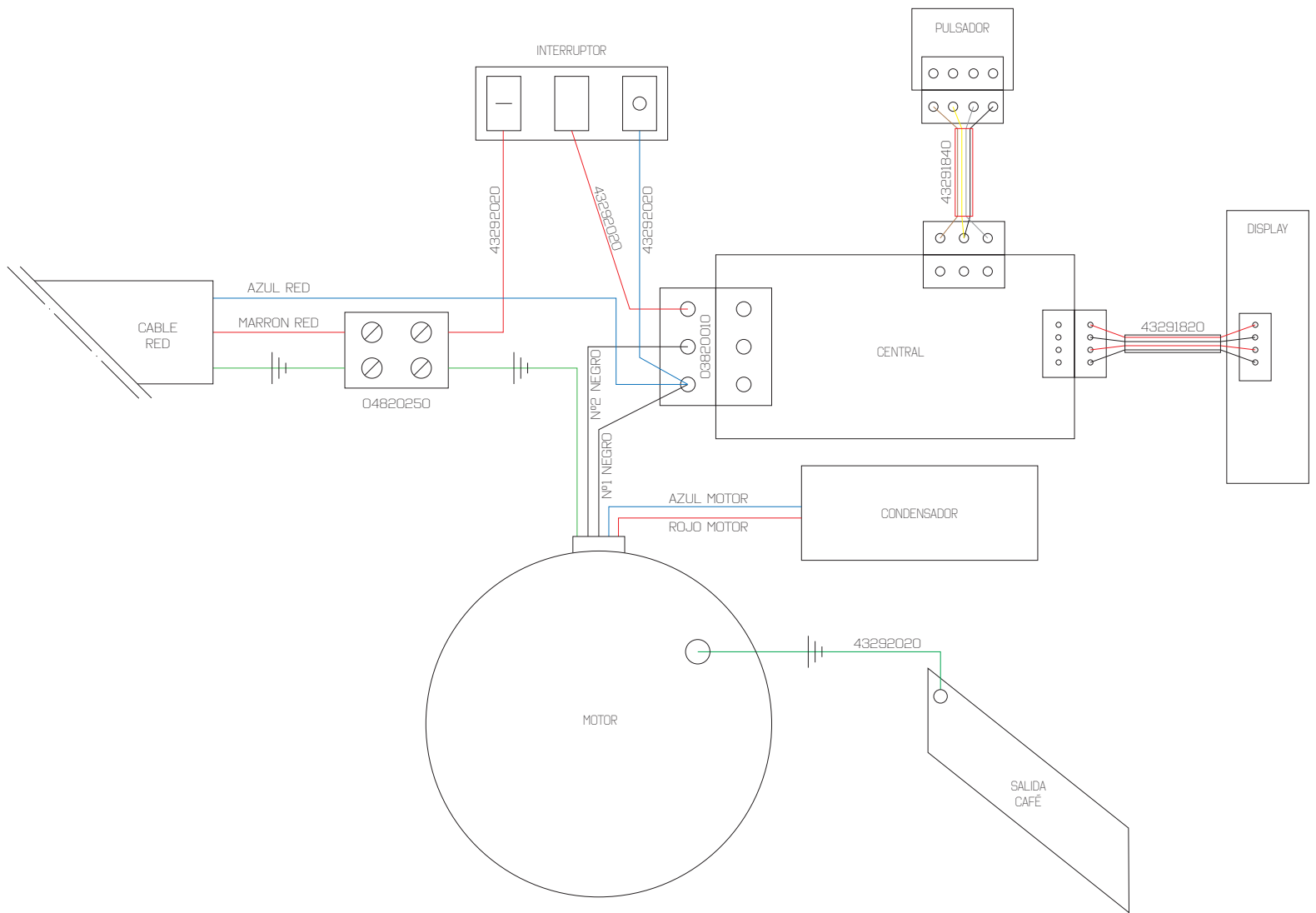
REF.	DESCRIPCIÓN	DESCRIPTION
01005791	TORNILLO DIN 7985 A4 M 4X6	DIN 7985 A4 M4X6 SCREW
09746680	FRESA 64MM	64MM MILL
19102740	ROTOR FRESA 64mm MOLINO H64	H64 GRINDER 64MM ROTOR MILL

41304590



REF.	DESCRIPCIÓN
01005791	TORNILLO DIN 7985 A4 M 4X6
09746650	PORTA FRESA SUPERIOR MOLINO H64 64mm
09746680	FRESA 64MM

DESCRIPTION
DIN 7985 A4 M4X6 SCREW
H64 GRINDER UPPER 64MM MILL HOLDER
64MM MILL



REF.	DESCRIPCIÓN	DESCRIPTION
03820010	CONECTOR PCB HEMBRA 3 VIAS PASO 7,5	STEP 7.5 3 -WAY PCB CONNECTOR
04820250	CIRCUITO TEMPORIZADOR H64 230/120V	H64 TIMER CIRCUIT 230/120V
43291820	CABLE DISPLAY H64	H64 DISPLAY CABLE
43291840	CABLE DE PCB A PLACA 1 BOTON MOLINO H64	H64 GRINDER PCB TO PLATE 1 BUTTON CABLE
43292020	CABLEADO INTERRUPTOR / TIERRA MOLINO H64	H64 GRINDER SWITCH WIRING / EARTH