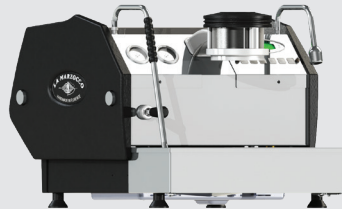


# water supply and drain connection kit

linea mini, gs3 & linea micra



**la marzocco**

handmade in florence

# linea mini, gs3 & linea micra

Water Supply Connection V2.0 - 05/2023



## Chapters

- |   |         |
|---|---------|
| 1. Water Supply Connection Assembly linea mini      | page 3  |
| 2. Water Supply Connection Assembly gs3             | page 4  |
| 3. Water Supply Connection Assembly linea micra     | page 5  |
| 4. Hole on the Counter linea mini                   | page 7  |
| 5. Hole on the Counter gs3                          | page 8  |
| 6. Hole on the Counter linea micra                  | page 9  |
| 7. Water Supply Connection Instructions linea mini  | page 10 |
| 8. Water Supply Connection Instructions gs3         | page 17 |
| 9. Water Supply Connection Instructions linea micra | page 21 |



**la marzocco**

handmade in florence

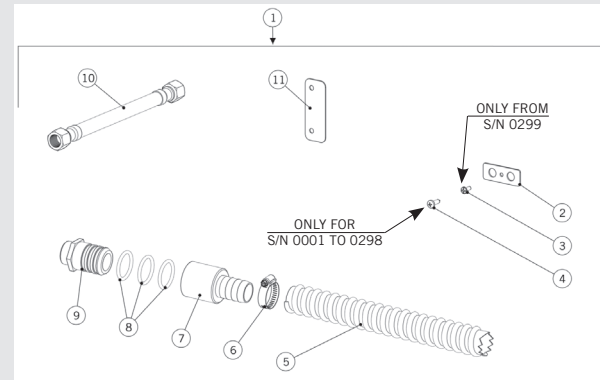
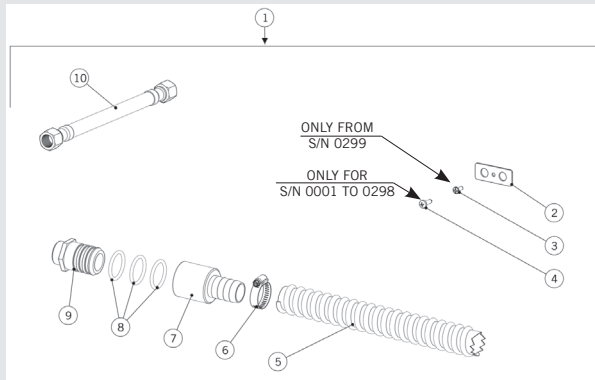
La Marzocco S.r.l.

Via La Torre 14/H  
Località La Torre  
50038 Scarperia e San Piero  
(Florence) - ITALY

[www.lamarzocco.com](http://www.lamarzocco.com)  
[info@lamarzocco.com](mailto:info@lamarzocco.com)

T: +39 055 849 191  
F: +39 055 849 1990

# 1. Water Supply Connection Assembly linea mini

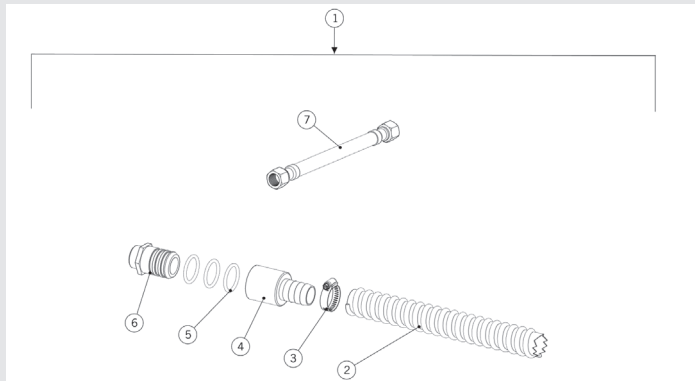


1	911	PLUMBING CONNECTION KIT LINEA MINI CE
2	C.1.223	CONTACT BY PASS PLATE
3	VITE3X8	3X8 S/S SCREW
4	I.1.062	VITE AUT 3.5X13 TC TCR INOX
5	L308	CLEAR ARMOURED DRAIN HOSE
6	L312	HOSE CLAMP
7	F.8.003	HOSE CONNECTOR QUICK CONNECTION
8	H.1.010.01	ORING 3087 (2-118) EPDM 70 SHA
9	F.8.002	DISCHARGE FITTING QUICK CONNECTION
10	L325	150CM S/S BRAIDED HOSE, G3/8-G1/4 GS3
Item	Part number	Description

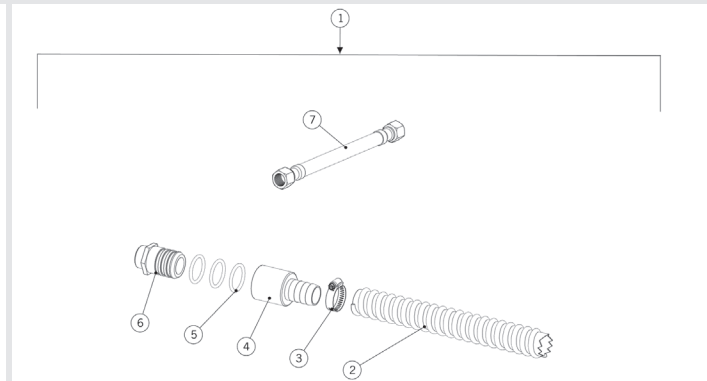
1	912	PLUMBING CONNECTION KIT LINEA MINI ETL *
2	C.1.223	CONTACT BY PASS PLATE
3	VITE3X8	3X8 S/S SCREW
4	I.1.062	VITE AUT 3.5X13 TC TCR INOX
5	L308	CLEAR ARMOURED DRAIN HOSE
6	L312	HOSE CLAMP
7	F.8.003	HOSE CONNECTOR QUICK CONNECTION
8	H.1.010.01	ORING 3087 (2-118) EPDM 70 SHA
9	F.8.002	DISCHARGE FITTING QUICK CONNECTION
10	L326	150CM S/S BR.HOSE, 3/8" COMPR.-G1/4
11	C.1.440	BRACKET BASE LINEA MINI WATER CONNECTION
Item	Part number	Description

\* This kit is for North America only

## 2. Water Supply Connection Assembly gs3



1	913	PLUMBING CONNECTION KIT GS3 CE
2	L308	CLEAR ARMoured DRAIN HOSE
3	L312	HOSE CLAMP
4	F.8.003	HOSE CONNECTOR QUICK CONNECTION
5	H.1.010.01	ORING 3087 (2-118) EPDM 70 SHA
6	F.8.002	DISCHARGE FITTING QUICK CONNECTION
7	L325	150CM S/S BRAIDED HOSE, G3/8-G1/4 GS3
Item	Part number	Description

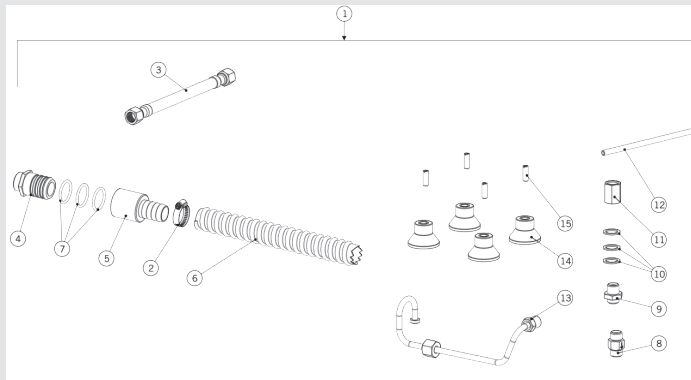


1	914	PLUMBING CONNECTION KIT GS3 ETL
2	L308	CLEAR ARMoured DRAIN HOSE
3	L312	HOSE CLAMP
4	F.8.003	HOSE CONNECTOR QUICK CONNECTION
5	H.1.010.01	ORING 3087 (2-118) EPDM 70 SHA
6	F.8.002	DISCHARGE FITTING QUICK CONNECTION
7	L326	150CM S/S BR.HOSE, 3/8" COMPR.-G1/4
Item	Part number	Description

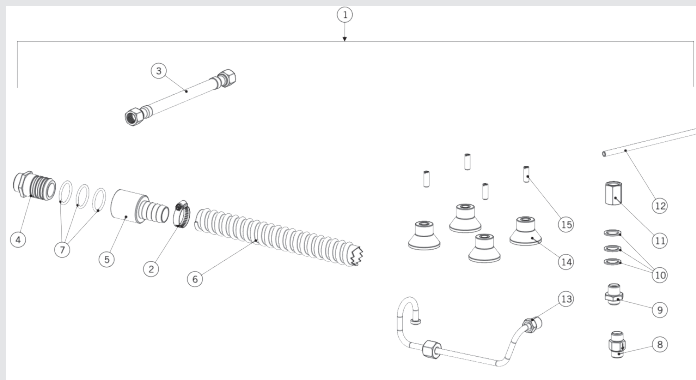
\* This kit is for North America only



### 3. Water Supply Connection Assembly linea micra



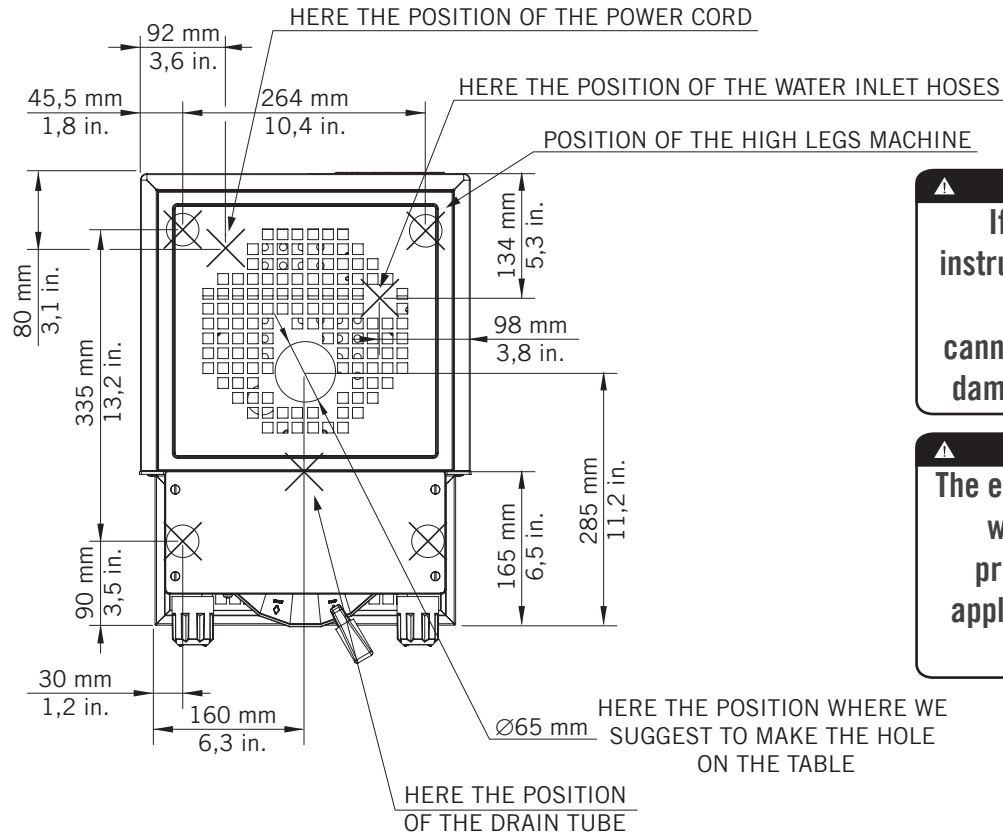
1	1039	PLUMBING CONNECTION KIT LINEA MICRA CE
2	L312	HOSE CLAMP
3	L325	BRAIDED HOSE G3/8F-G1/4F 150CM GS3
4	F.8.002	DISCHARGE FITTING QUICK CONNECTION
5	F.8.003	HOSE CONNECTOR D20 Di16 BRASS
6	L308	CLEAR ARMoured DRAIN HOSE
7	H.1.010.01	O-RING 2,62x21,89 EPDM 70 ShA
8	B.2.027	CHECK VALVE H27,5
9	A.5.019	NIPPLE G1/4M-G1/4M WR19 H21,5 S/S
10	L100/1A	WASHER 13,5X19X1,5 COPPER
11	A.5.185	FITTING G1/4F-G1/4F WR17 S/S
12	T.3.007	PFA TUBE 6mm - 4mm
13	T.1.322	TUBE PUMP-HOSE MAIN SUPPLY
14	CL41	GS3 FOOT
15	F.8.022	ADAPTOR FOOT MINI FOR MICRA
Item	Part number	Description



1	1040	PLUMBING CONNECTION KIT LINEA MICRA *
2	L312	HOSE CLAMP
3	L326	BRAIDED HOSE 3/8 COMPR.-G1/4F 150CM GS3
4	F.8.002	DISCHARGE FITTING QUICK CONNECTION
5	F.8.003	HOSE CONNECTOR D20 Di16 BRASS
6	L308	CLEAR ARMoured DRAIN HOSE
7	H.1.010.01	O-RING 2,62x21,89 EPDM 70 ShA
8	B.2.027	CHECK VALVE H27,5
9	A.5.019	NIPPLE G1/4M-G1/4M WR19 H21,5 S/S
10	L100/1A	WASHER 13,5X19X1,5 COPPER
11	A.5.185	FITTING G1/4F-G1/4F WR17 S/S
12	T.3.007	PFA TUBE 6mm - 4mm
13	T.1.322	TUBE PUMP-HOSE MAIN SUPPLY
14	CL41	GS3 FOOT
15	F.8.022	ADAPTOR FOOT MINI FOR MICRA
<b>Item</b>	<b>Part number</b>	<b>Description</b>

\* This kit is for North America only

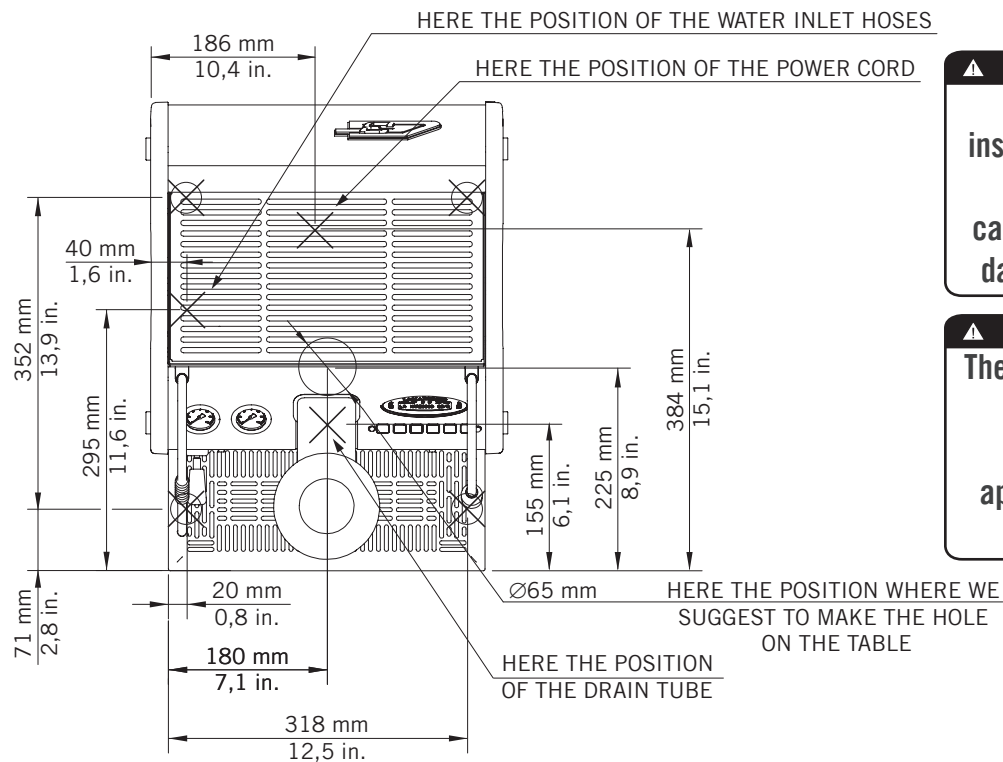
## 4. Hole on the Counter linea mini



**▲ WARNING ▲**  
If the above-mentioned instructions are not adhered to the manufacturer cannot be held responsible for damage to persons or things.

**▲ WARNING ▲**  
The equipment is to be installed with adequate backflow protection to comply with applicable federal, state, and local codes.

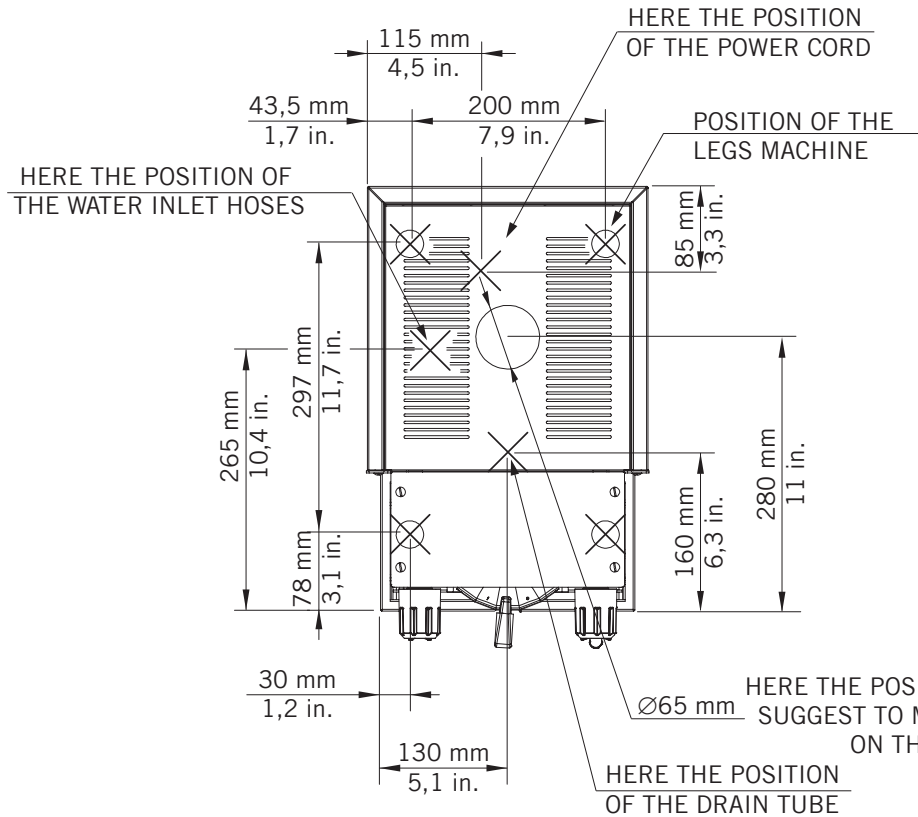
## 5. Hole on the Counter gs3



**▲ WARNING ▲**  
If the above-mentioned instructions are not adhered to the manufacturer cannot be held responsible for damage to persons or things.

**▲ WARNING ▲**  
The equipment is to be installed with adequate backflow protection to comply with applicable federal, state, and local codes.

## 6. Hole on the Counter linea micra



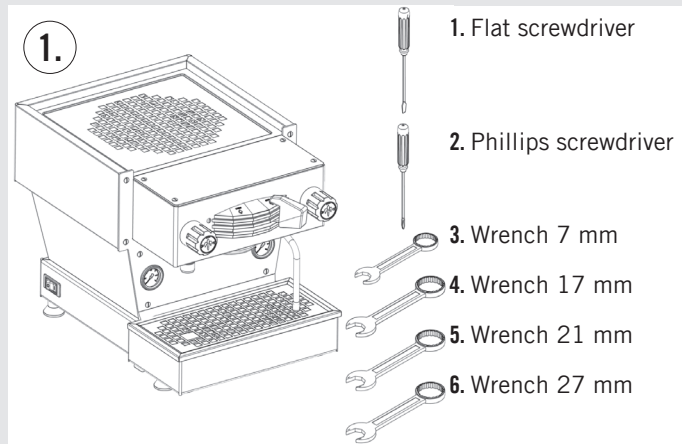
**WARNING**

If the above-mentioned instructions are not adhered to the manufacturer cannot be held responsible for damage to persons or things.

**WARNING**

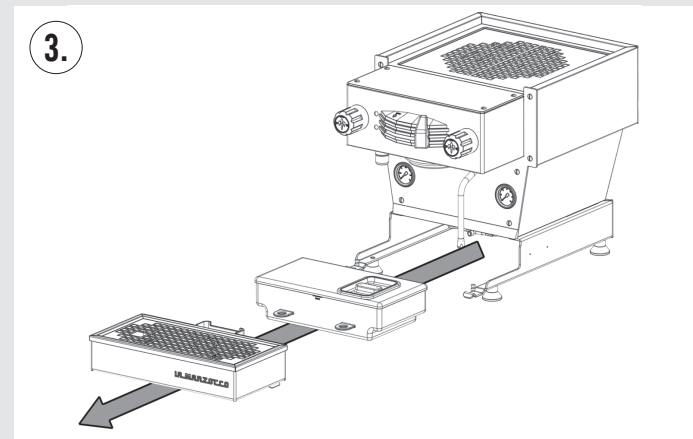
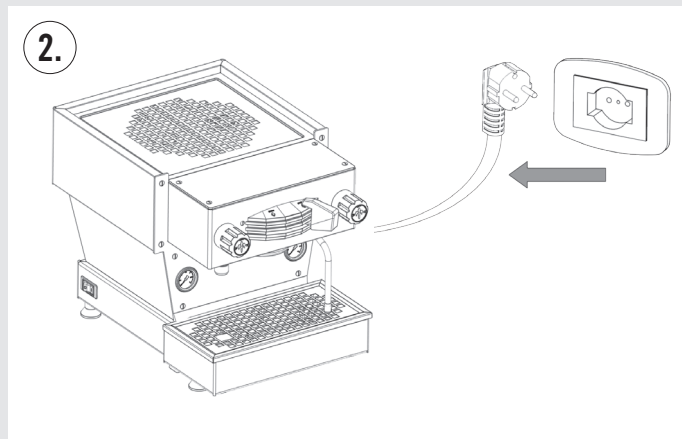
The equipment is to be installed with adequate backflow protection to comply with applicable federal, state, and local codes.

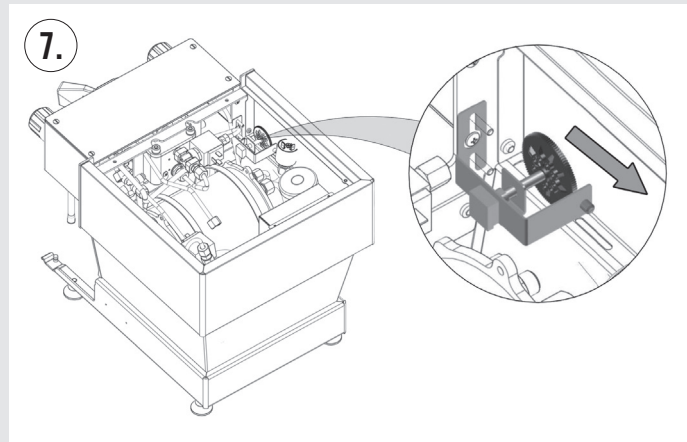
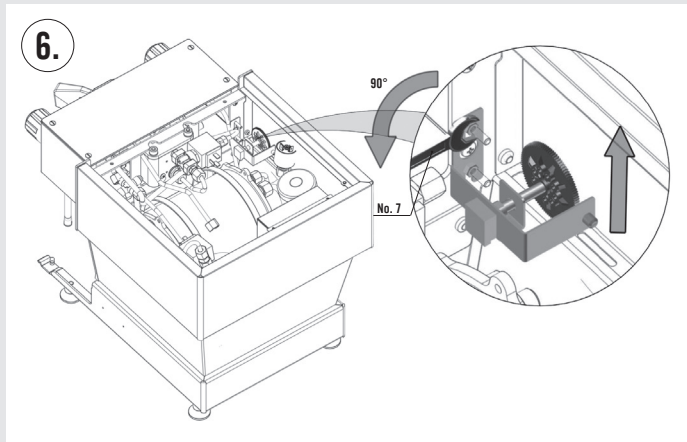
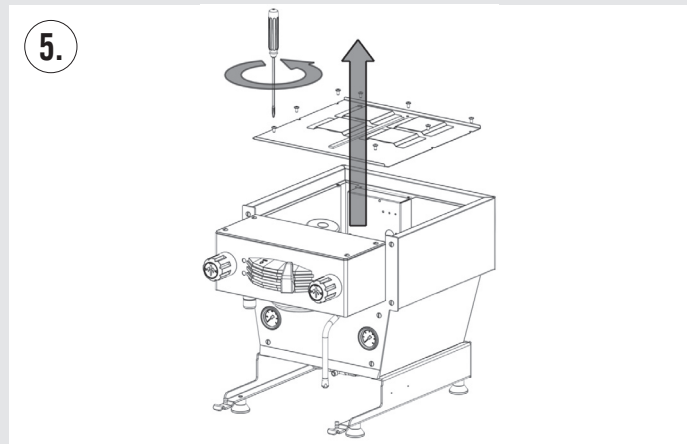
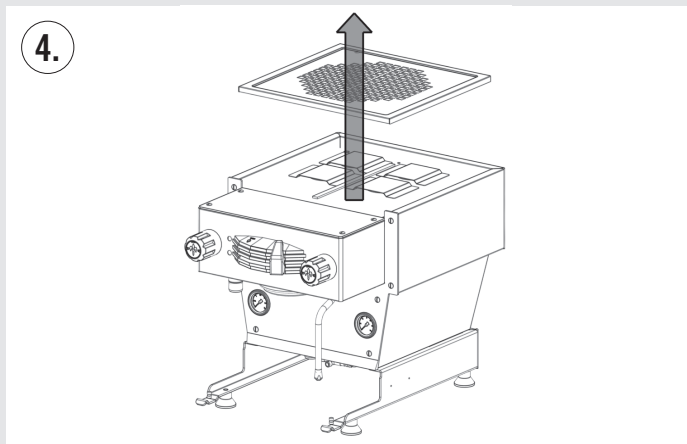
## 7. Water Supply Connection Instructions linea mini

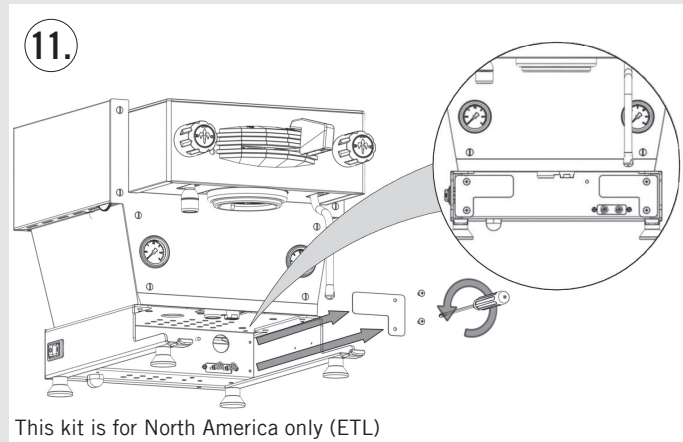
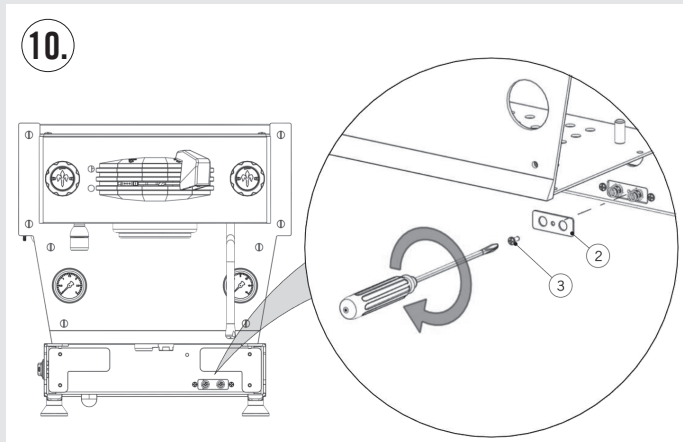
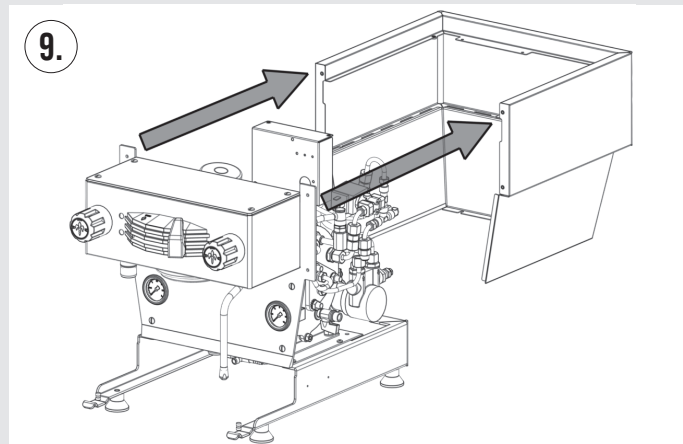
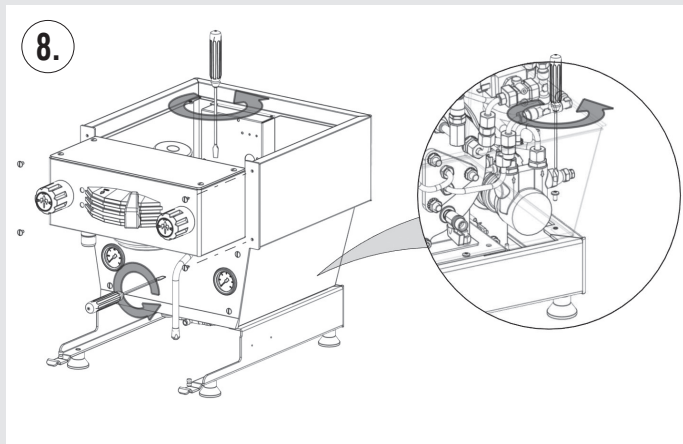


**WARNING**  
Hazardous voltage disconnect from power supply before servicing.

**WARNING**  
The integrated brew group and steam boiler contain water at elevated temperature. Water temperature over 125°F / 52°C can cause severe burns instantly or death from scalding (integrated brew group 200°F/93.3°C - steam boiler 260°F / 127°C).



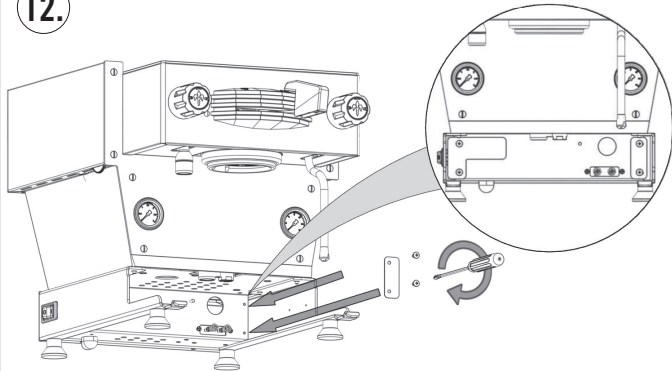




This kit is for North America only (ETL)

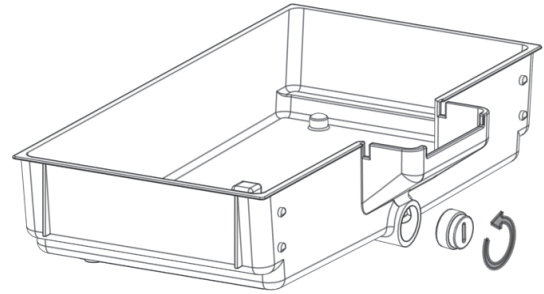


12.

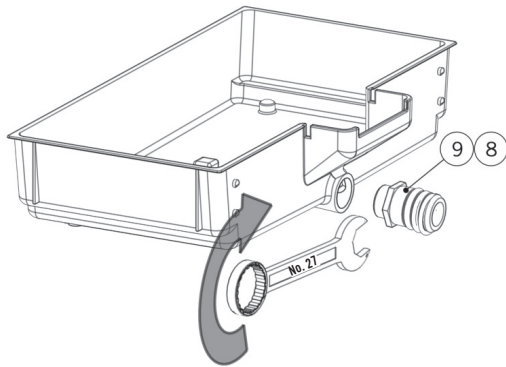


This kit is for North America only (ETL)

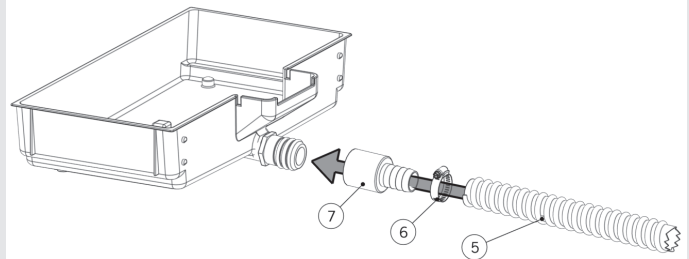
13.



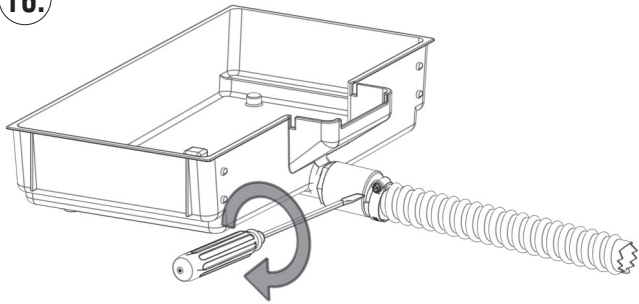
14.



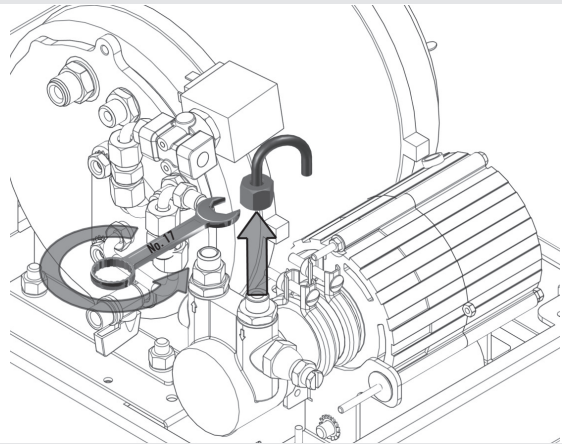
15.



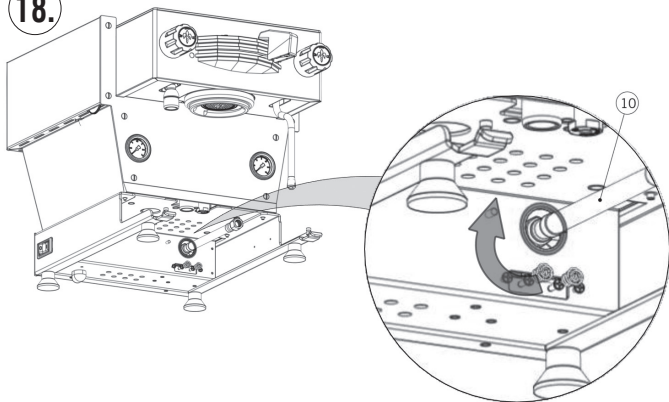
16.



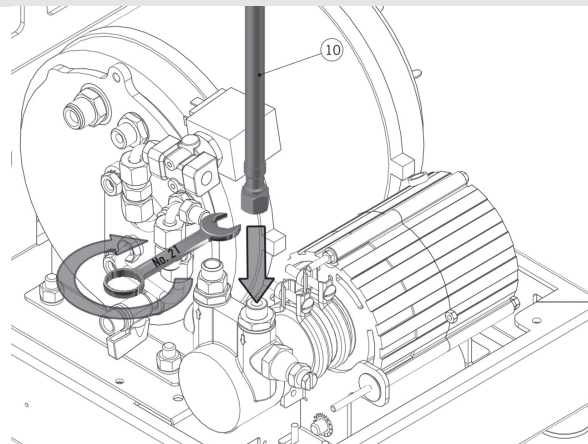
17.

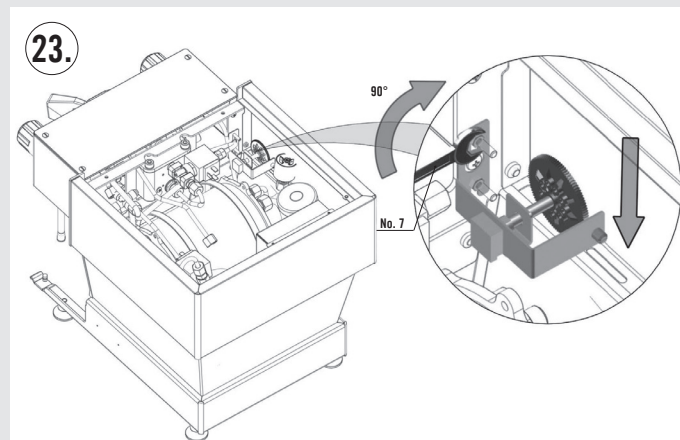
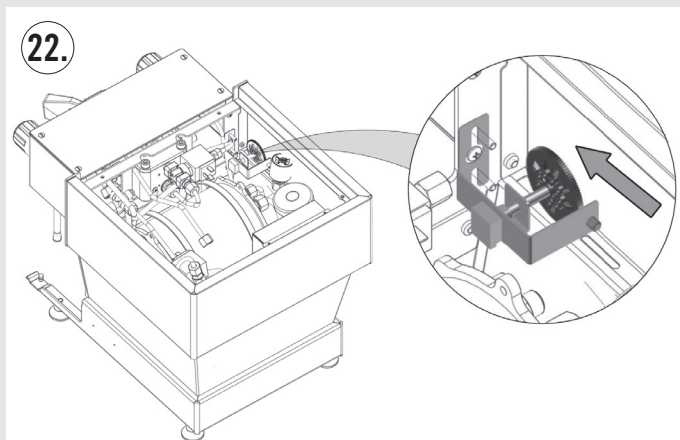
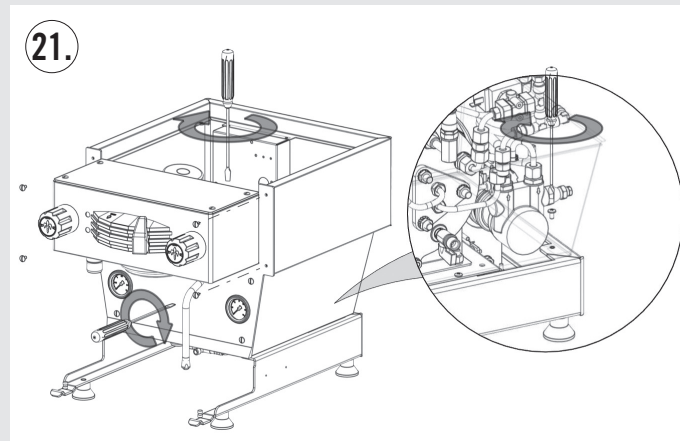
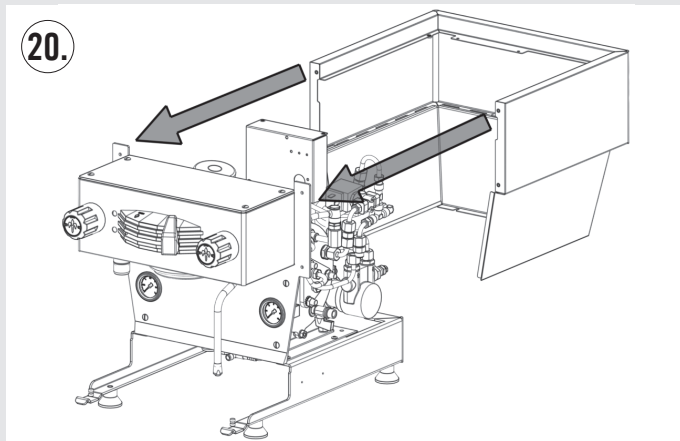


18.

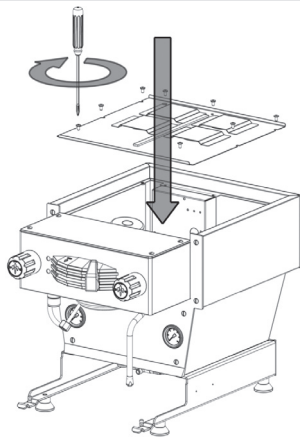


19.

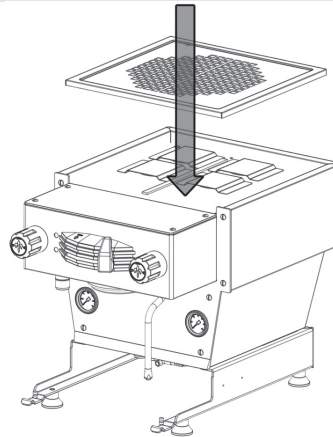




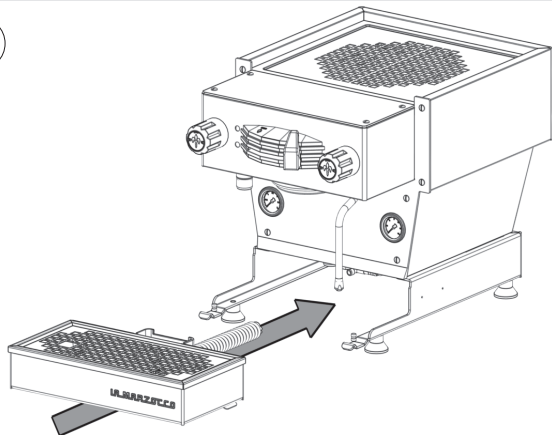
24.



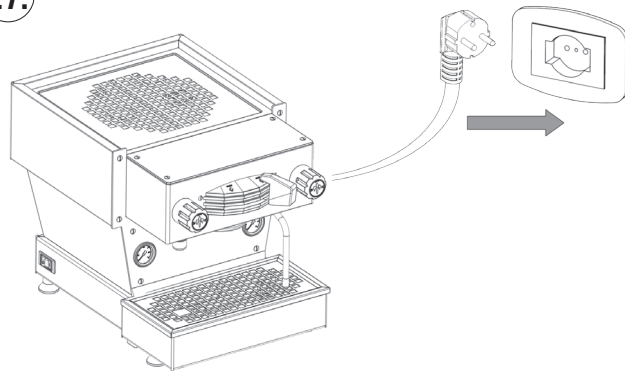
25.



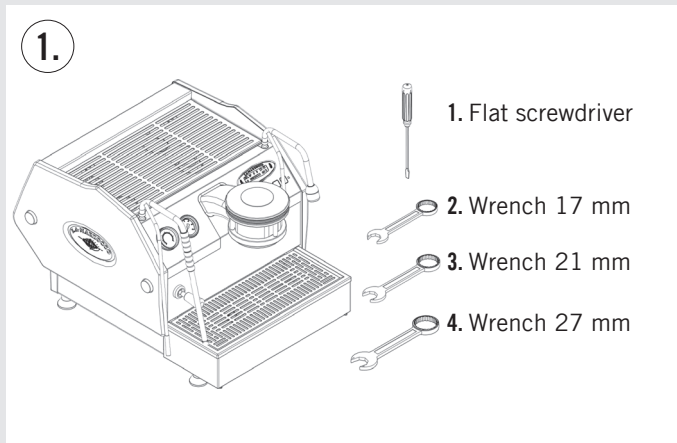
26.



27.

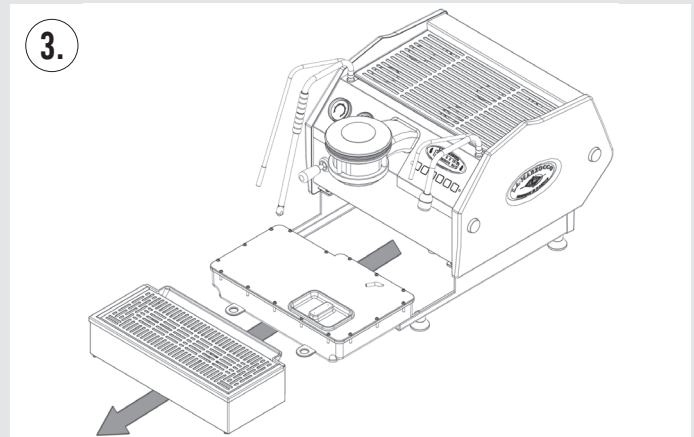
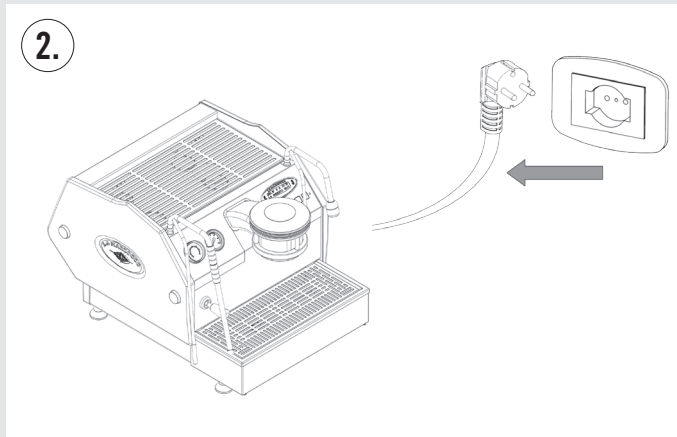


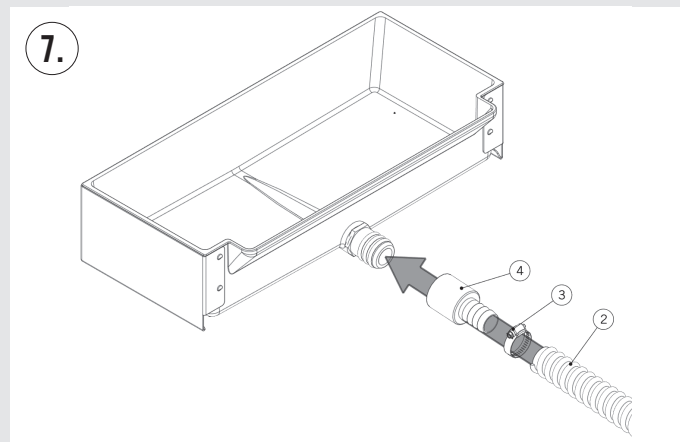
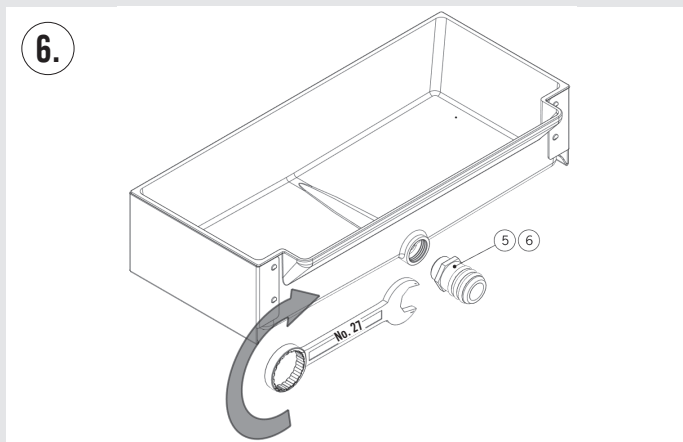
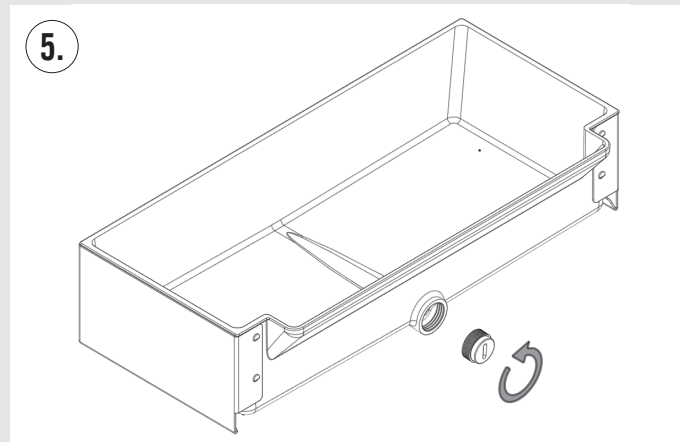
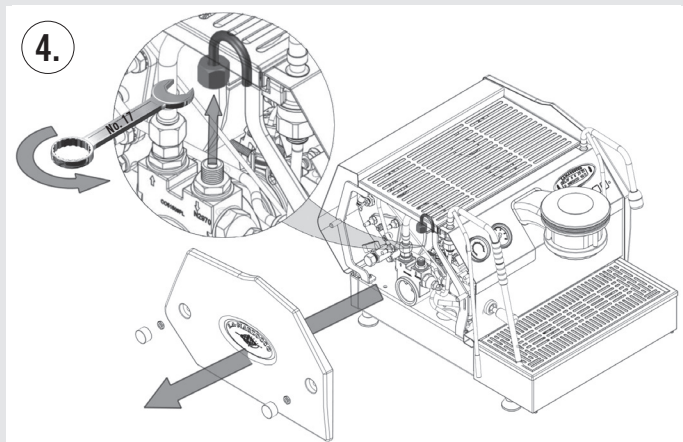
## 8. Water Supply Connection Instructions gs3

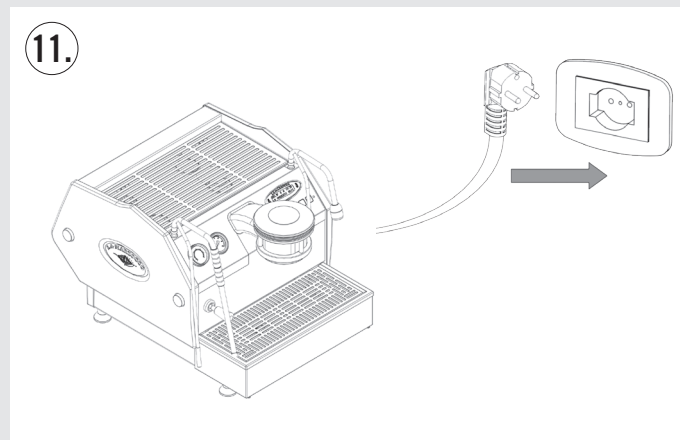
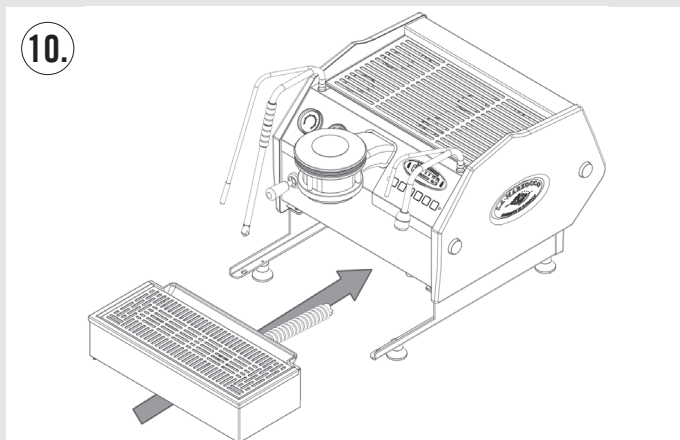
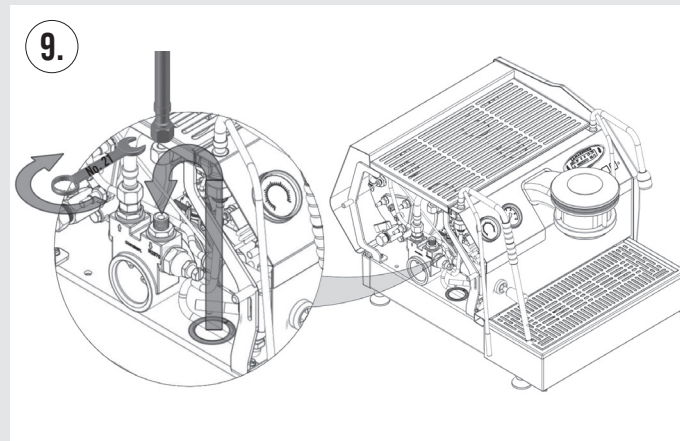
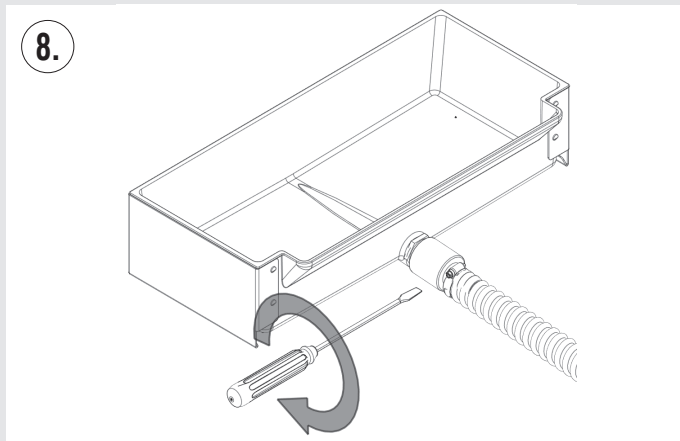


**▲ WARNING ▲**  
Hazardous voltage disconnect from power supply before servicing.

**▲ WARNING ▲**  
The integrated brew group and steam boiler contain water at elevated temperature. Water temperature over 125°F / 52°C can cause severe burns instantly or death from scalding (integrated brew group 200°F/93.3°C - steam boiler 260°F / 127°C).

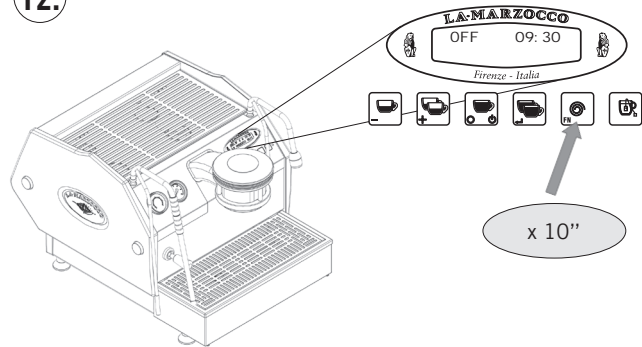




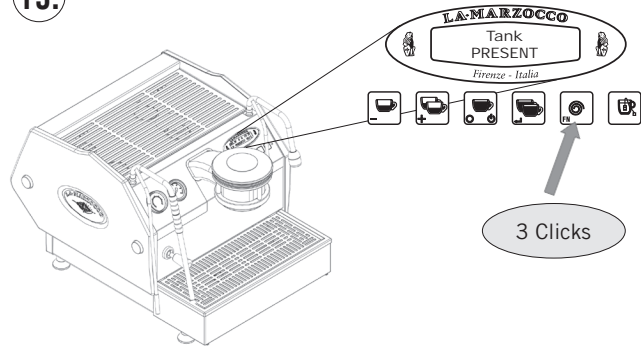




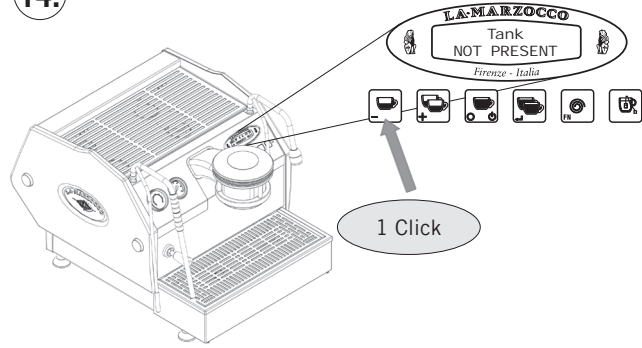
12.



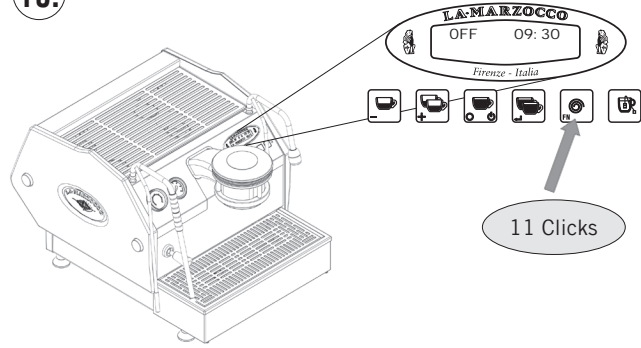
13.



14.

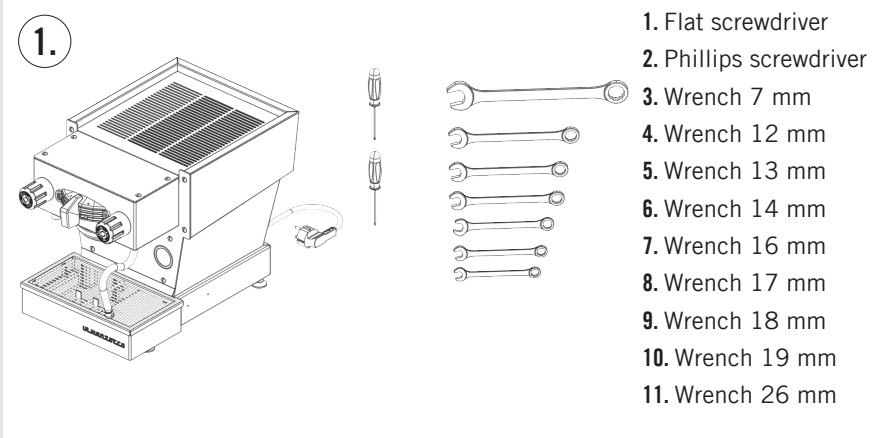


15.



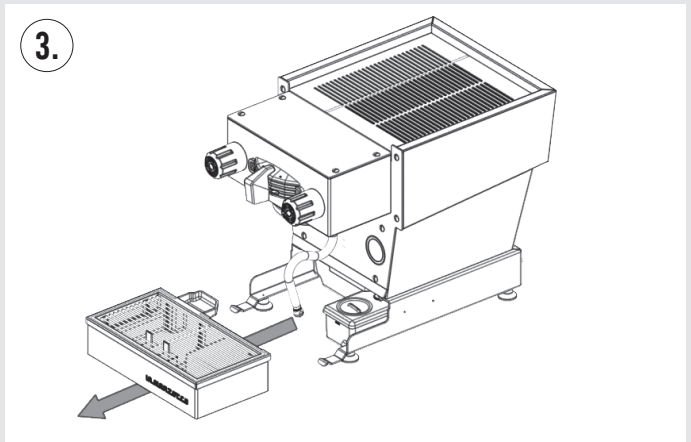
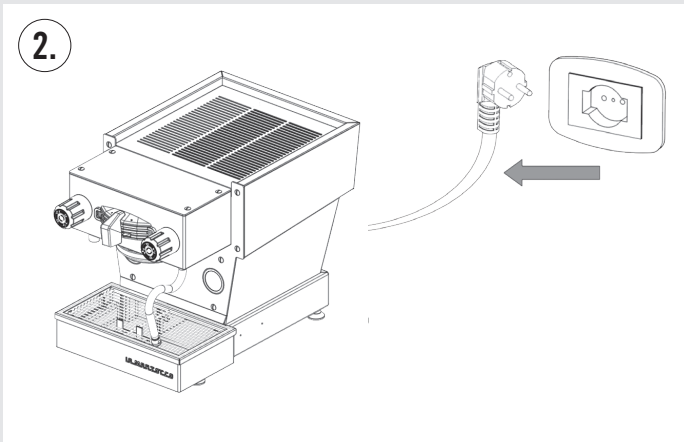


## 9. Water Supply Connection Instructions linea micra

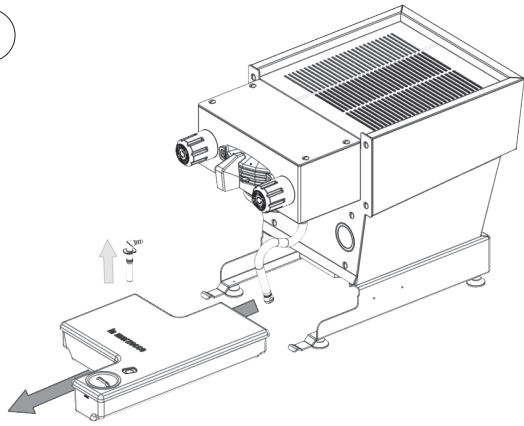


**WARNING**  
Hazardous voltage disconnect from power supply before servicing.

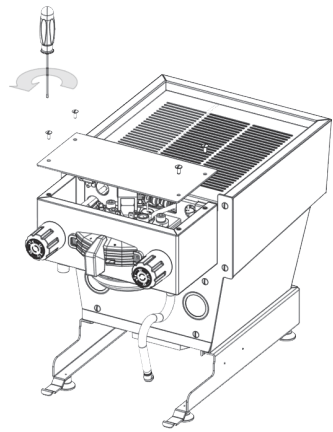
**WARNING**  
The integrated brew group and steam boiler contain water at elevated temperature. Water temperature over 125°F / 52°C can cause severe burns instantly or death from scalding (integrated brew group 200°F/93.3°C - steam boiler 260°F / 127°C).



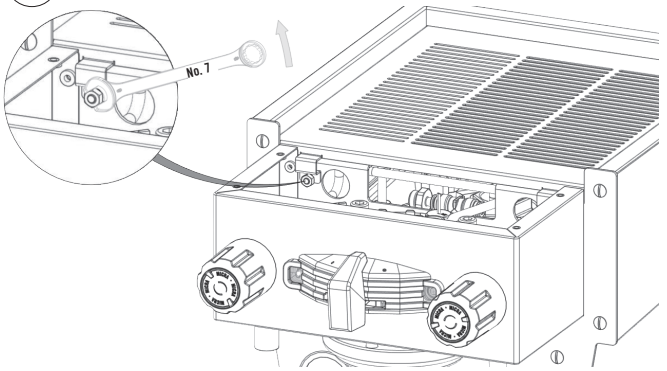
4.



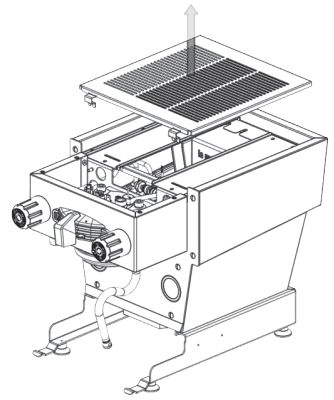
5.

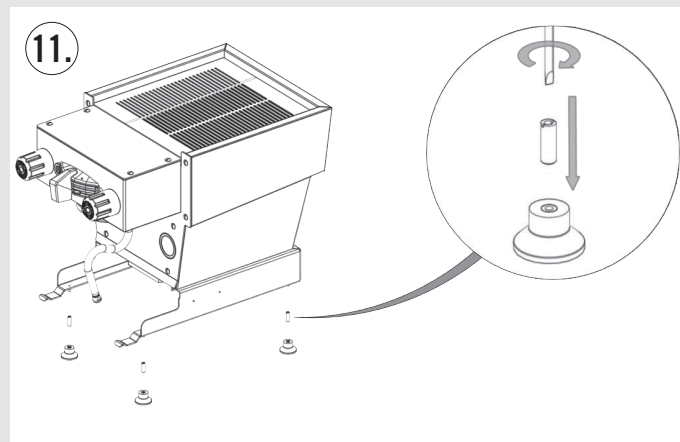
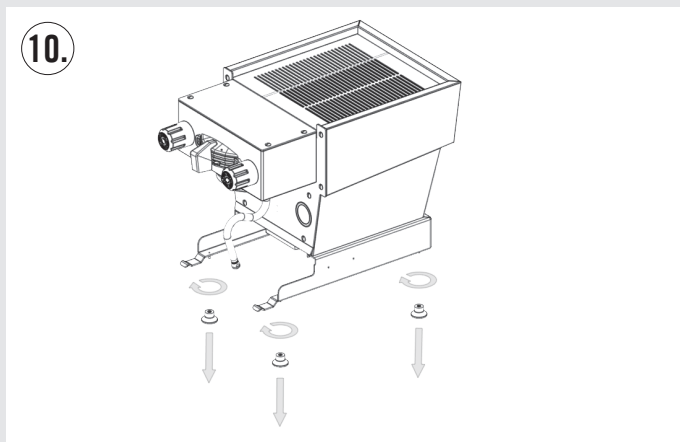
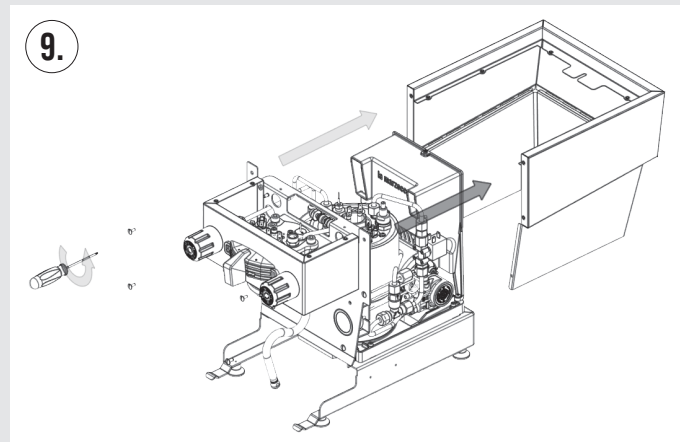
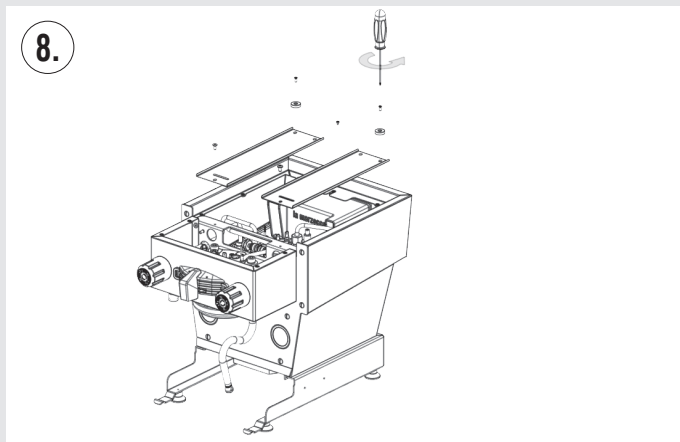


6.

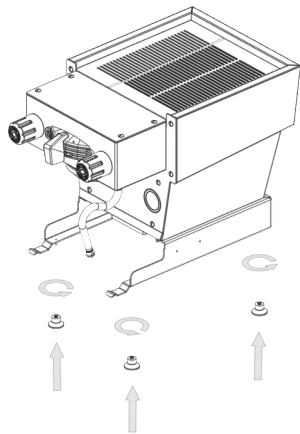


7.

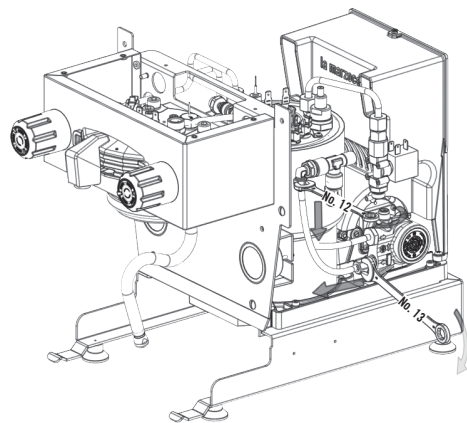




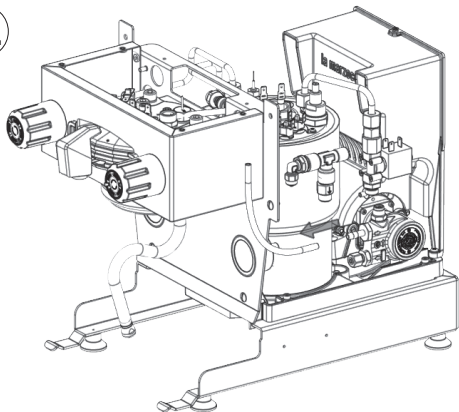
12.



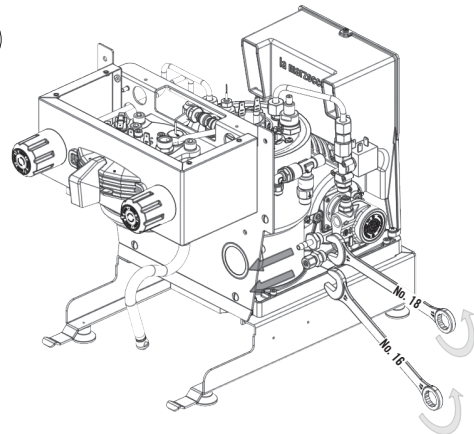
13.

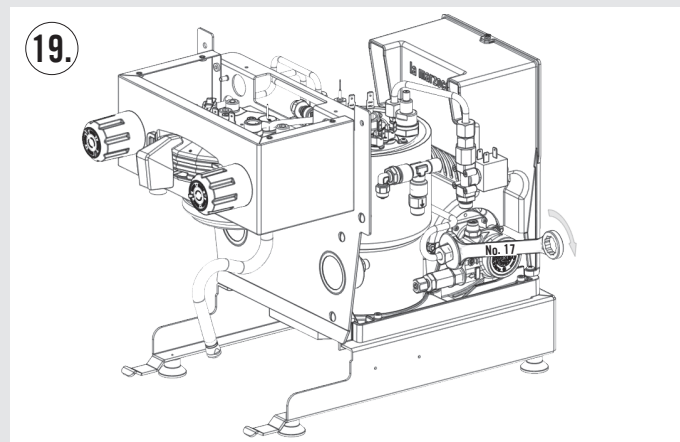
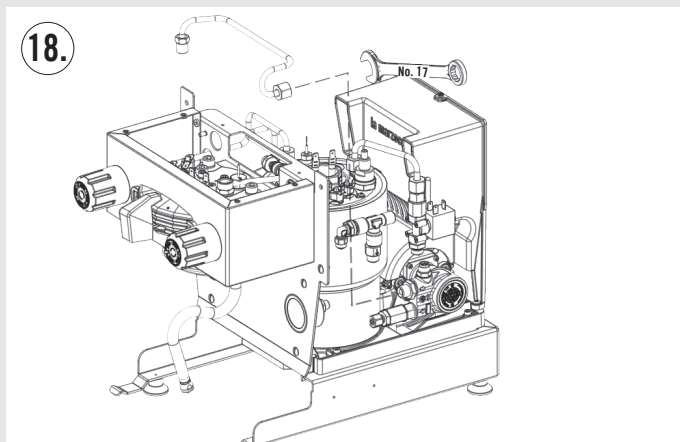
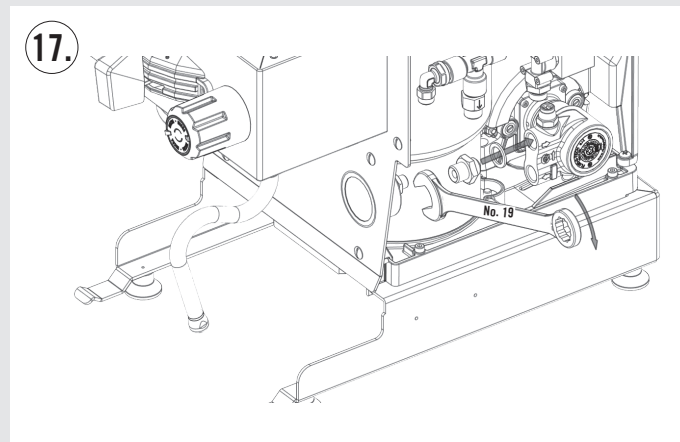
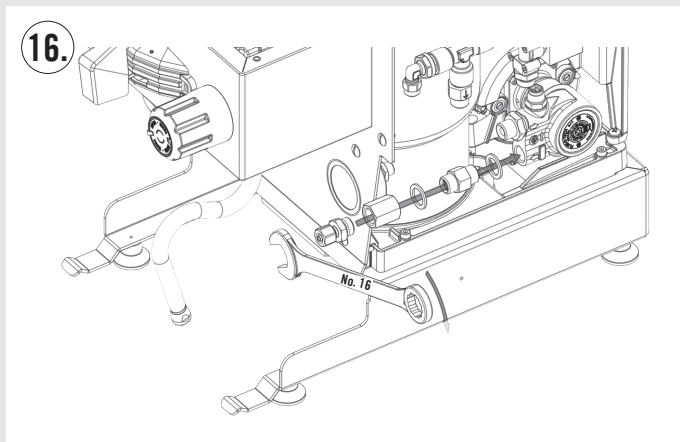


14.

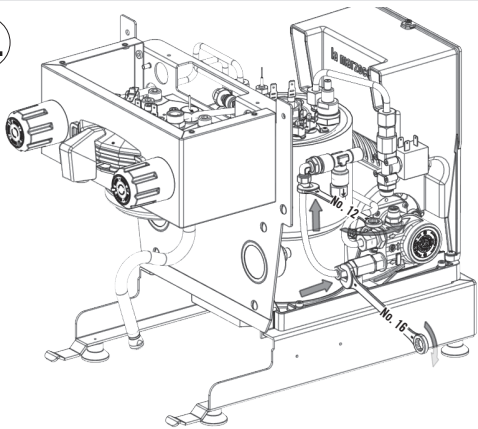


15.

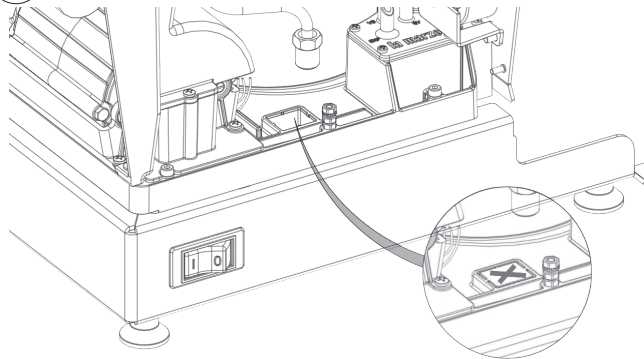




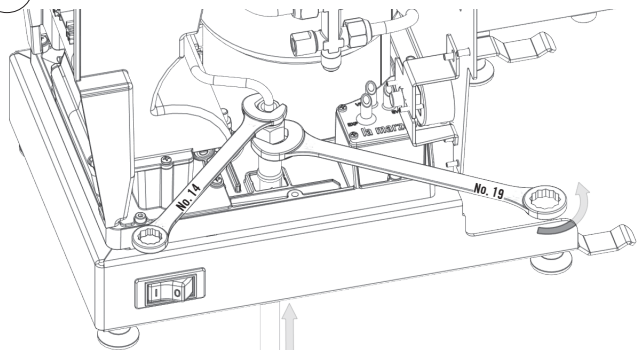
20.



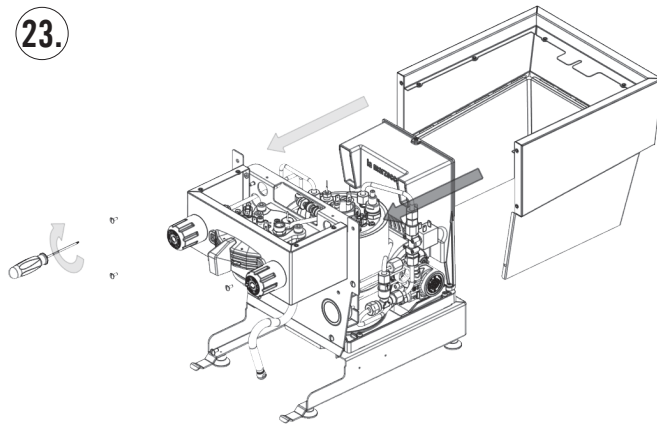
21.

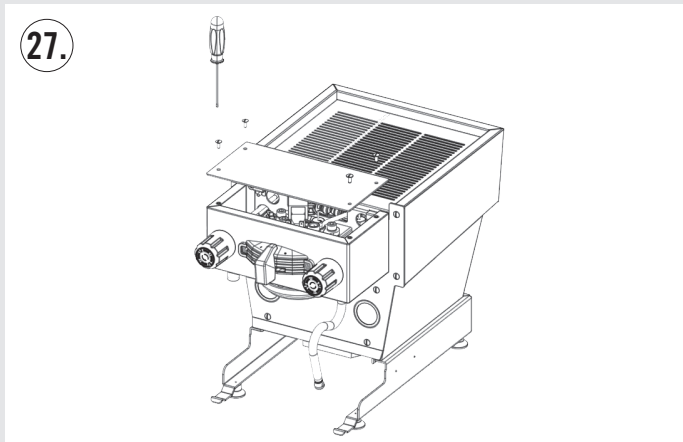
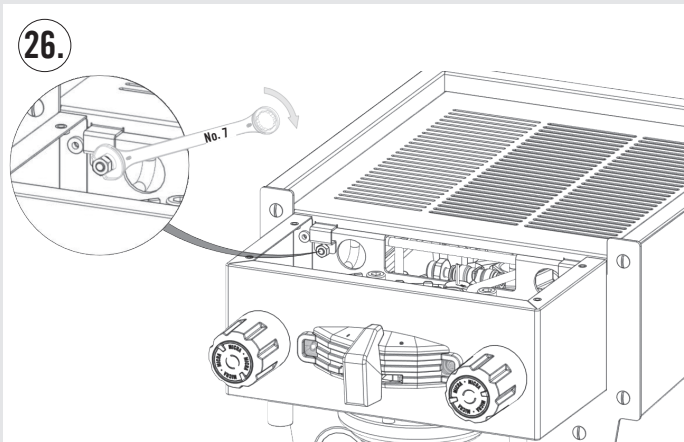
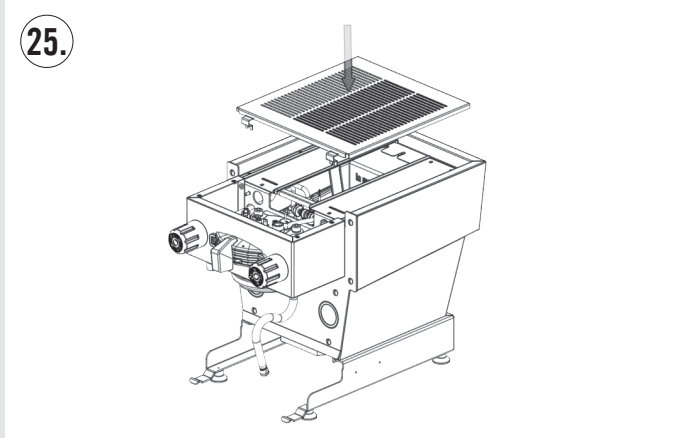
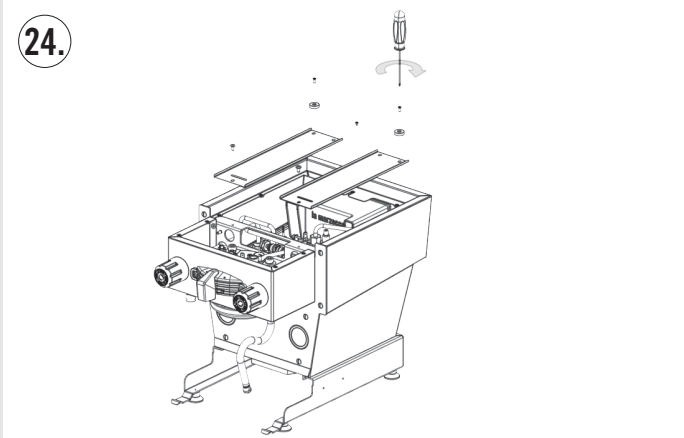


22.

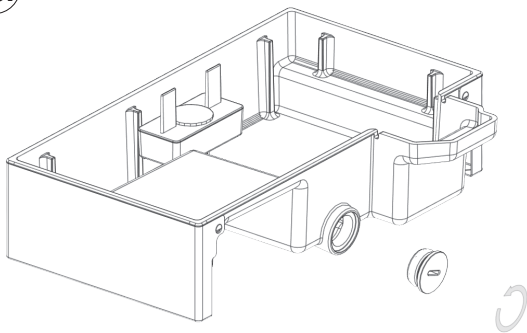


23.

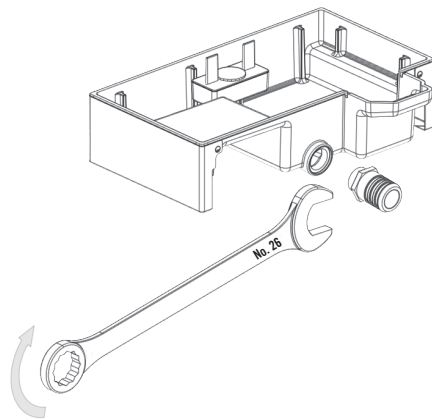




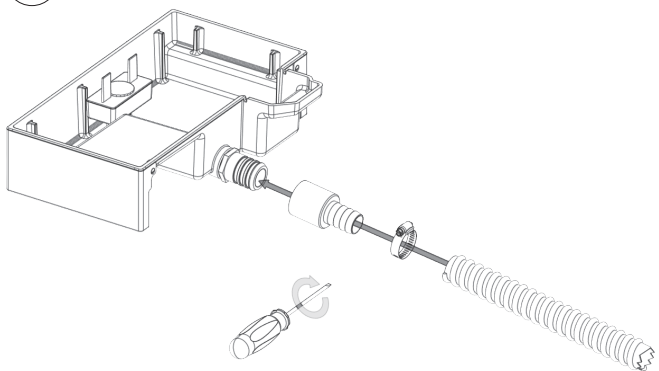
28.



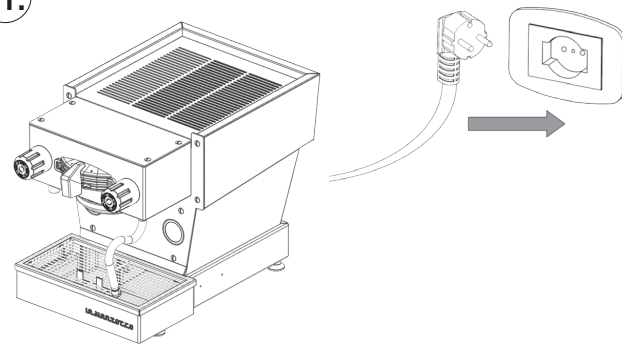
29.



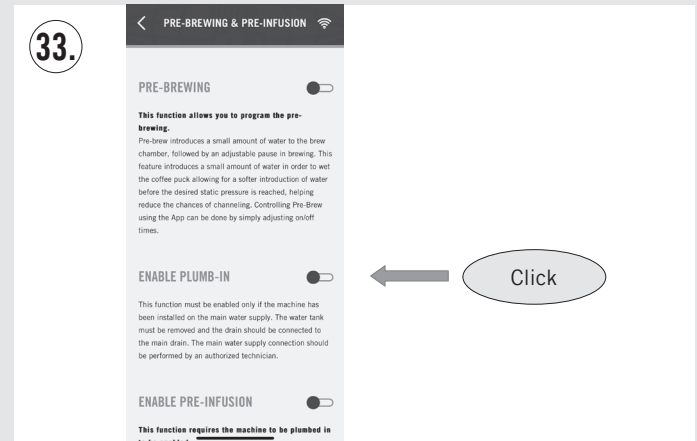
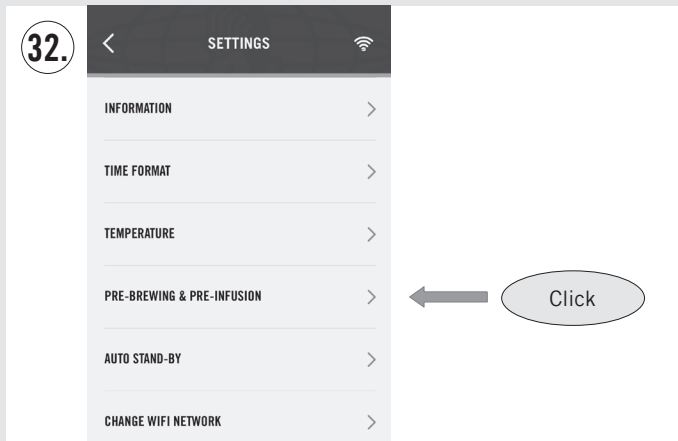
30.



31.







**Note for draining the machine:**  
For draining the machine is necessary to deactivate the Plumb-in mode. In this way the machine will be in the standard configuration with the tank present.

